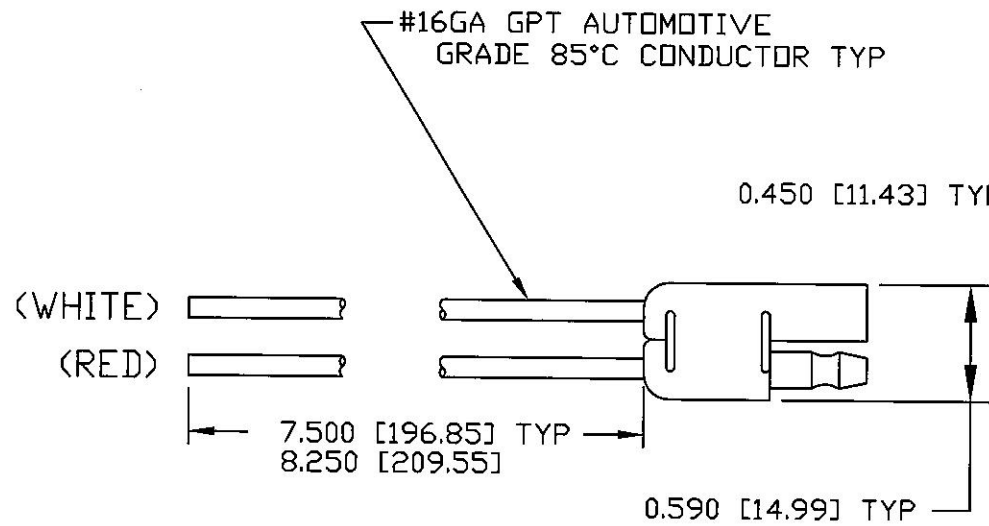
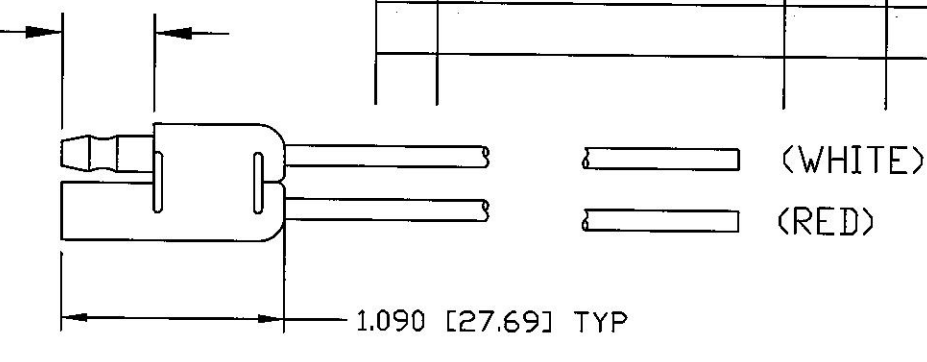


**Revision Control Record**

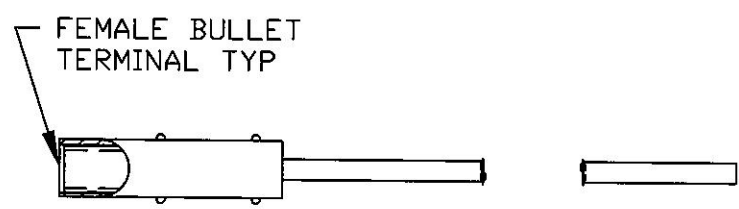
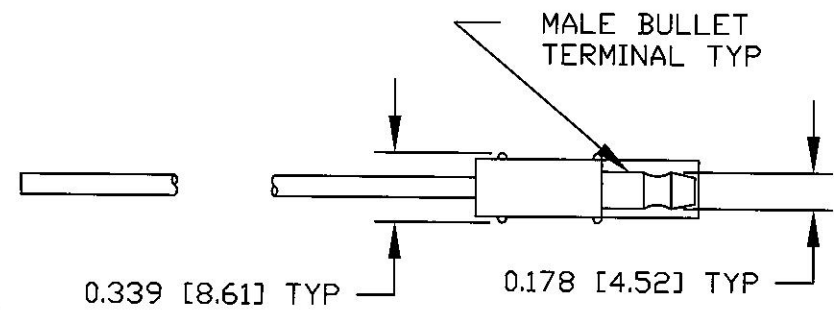
Rev.	Description of Change	ECN No.	Date
D	ADD/CHANGE DIMS	08521	9/25/08



11172-03



11172-02



11172-03	RED LEAD TO MALE TERMINAL
11172-02	RED LEAD TO FEMALE TERMINAL
11172	1 EA. OF 11172-02 & 11172-03
PART NO.	DESCRIPTION

NOTE:  
1. ALL DIMENSIONS ARE REFERENCE

**CHART**

**Tolerances** Unless otherwise specifically noted, the following are default tolerances:  
 \* 2-place Decimal Dimensions +/- .02"  
 \* 3-place Decimal Dimensions +/- .005"  
 \* Angular Dimensions +/- 1.0 Deg.  
 \* Metric: Refer to equivalent English Dimension Tolerance  
 >>> NOTE: All tolerances are Non-Cumulative. <<<

**Dimensional Units** All dimensions are expressed in inches except those shown in brackets (xxx) are expressed in millimeters

"REF." or an Asterisk (\*) = Non-Toleranced Reference Dimension, shown for clarification purposes only.

**PROPRIETARY INFORMATION** This Engineering Drawing, and the information contained herein, is proprietary to Cole Hersee Company and may not be disclosed, re-produced, or in any other way transferred or communicated to any other party without the express written consent of an authorized representative of Cole Hersee Company.

**DESIGN CONTROL** It is the responsibility of the individual using / referencing this drawing to assure that the noted design revision level agrees with the revision level of the Controlled Document (Master Drawing). This is a NON-CONTROLLED DOCUMENT unless otherwise specifically noted.

DO NOT SCALE - Dimensional variation may occur during printing / reproduction.

**Key for Special Characteristics:**

- CC Critical Characteristic, relating to Safety and/or Regulatory Compliance
- X Significant Characteristic relating to Process Control (SPC)
- CD Control Dimension relating to Form - Fit - Function as defined by Cole Hersee Company and/or the Customer

(Note that the identification of any Characteristics as being "Special" does not alter the requirement that ALL specified dimensions & tolerances must be met.)

**Cole Hersee Co.**  
 20 Old Colony Ave., South Boston, MA, 02127  
 Phn: 617-268-2100 Web: www.colehersee.com

**Description:** CONNECTOR, 2 POLE

Used On or Ref.:

Scale: **1:1**

Drawn By: **MF**

Date Drawn: **11/26/65**

Responsible Engineer: **SAM**

Pg. 1 of 1

**Drawing / Part No.:** 11172

**Current Rev.:** D