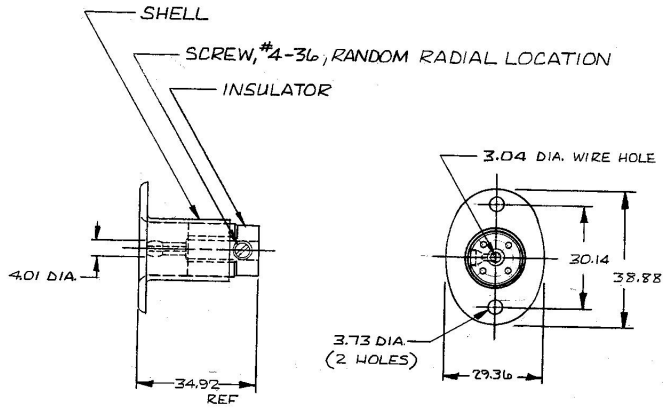


METRIC
 25 0.00
 3.04 0.120
 3.13 0.123
 4.01 0.158
 29.34 1.155
 30.14 1.177
 34.92 1.375
 38.92 1.531

11075



Confidential property of Cole Hersee

NOTE: ALL STEEL PARTS PLATED

METRIC

LET.	WAS	DATE	BY	LET	WAS	DATE	BY	MATERIAL	DRAWN	CHECKED	APPROV'D	SCALE	DO NOT SCALE
								//	GK	RJH		1:1	DATE DRAWN 3-13-56
								FINISH	 CH. Cole Hersee Co. <small>WORLD CENTER FURNACE SOUTH BOSTON, MA, U.S.A. 02107</small>				DATE BLUEPRINT
								TOLERANCES					CONN SOCKET 1 POLE
								DECIMAL ± .25					
								METRIC ± .25					

CH-188(4-78)