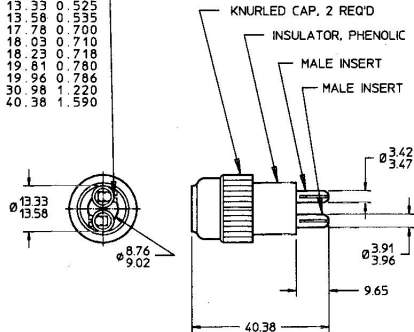
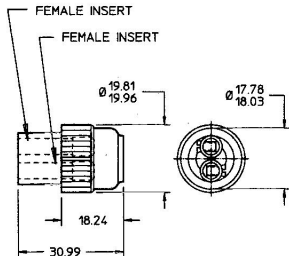


MM	IN
3.42	0.135
3.47	0.137
3.91	0.154
3.96	0.156
8.76	0.345
9.02	0.355
9.65	0.380
13.33	0.525
13.58	0.535
17.78	0.700
18.03	0.710
18.23	0.718
19.81	0.780
19.96	0.786
30.98	1.220
40.38	1.590

FLAT HEAD SCREW, #4-36
UNC-2A, 4 REQ'D



1102-M



1102-F

NOTES:

1. ALL STEEL PARTS PLATED
2. ALL DIMENSIONS ARE REFERENCE ONLY
3. POLARIZED

DO NOT SCALE

LET.	WAS	DATE	BY	LET.	WAS	DATE	BY	MATERIAL	DRAWN	CHK	APVD	SCALE	DATE DRAWN
								FINISH	JP	JMP		1:1	2/28/58
								TOLERANCES DECIMAL ± ANGLE ±	Cole Hersee Co. 20 OLD COLONY AVENUE, BOSTON, MA., U.S.A. 02127			DATE BLUEPRINTED	
			J			9/17/97	AJS	PUT ON CAD NO CHANGES	CONNECTOR ASS'Y			1102	