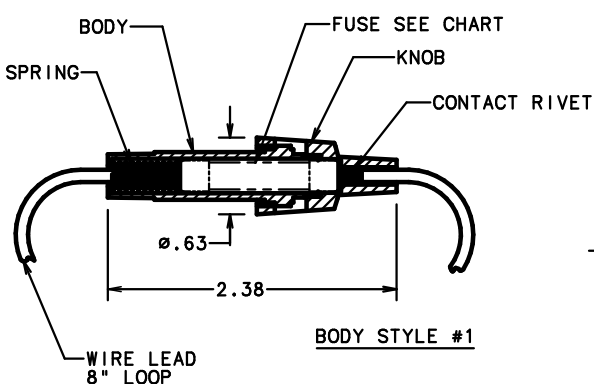
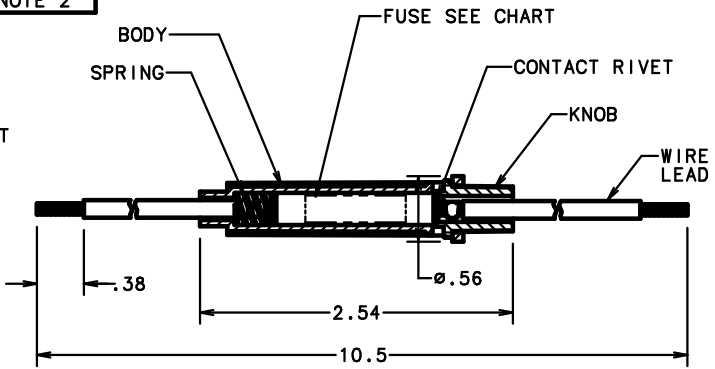


| PART No. | BODY | BODY STYLE | FUSE PROVIDED | FUSE RATING | REMARKS |
|------------|-----------|------------|---------------|-------------|---------|
| OFNY0001Z | OFNY0001Z | 1 | NONE | ---- | NOTE 1 |
| OFNY0004Z | OFNY0001Z | 1 | 0307004.Z | 4 AMP | NOTE 1 |
| OFNY0006Z | OFNY0001Z | 1 | 0307006.Z | 6 AMP | NOTE 1 |
| OFNY00075Z | OFNY0001Z | 1 | 0307007.5Z | 7.5 AMP | NOTE 1 |
| OFNY0009Z | OFNY0001Z | 1 | 0307009.Z | 9 AMP | NOTE 1 |
| OFNY0014Z | OFNY0001Z | 1 | 0307014.Z | 14 AMP | NOTE 1 |
| OFNY0020Z | OFNY0001Z | 1 | 0307020.Z | 20 AMP | NOTE 1 |
| OFNY0030Z | OFNY0030Z | 2 | 0307030.Z | 30 AMP | NOTE 2 |



BODY STYLE #1



BODY STYLE #2

- NOTES:
- FOR OFNY0001:
 - MAX. RATING: 20 AMPS, 32 VOLTS AT A MAXIMUM OPERATING TEMPERATURE OF 180° F (82° C).
 - BODY MATERIAL: NYLON 6/6, BLACK
KNOB MATERIAL: NYLON 6/6, BLACK
SPRING MATERIAL: COATED STEEL
CONTACT RIVET MATERIAL: BRASS
WIRE LEAD MATERIAL: #14 GAUGE, STRANDED, BLACK
FUSEHOLDER IS SHIPPED WITH KNOB AND BODY ASSEMBLED (FUSE INSTALLED, IF REQUIRED) FORMING A LOOP.
 - FOR OFNY0030:
 - MAX. RATING: 30 AMPS, 32 VOLTS AT A MAXIMUM OPERATING TEMPERATURE OF 180° F (82° C).
 - BODY MATERIAL: NYLON, WHITE TRANSLUCENT
KNOB MATERIAL: NYLON 6/6, BLACK
SPRING MATERIAL: COATED STEEL
CONTACT RIVET MATERIAL: BRASS
WIRE LEAD MATERIAL: #12 GAUGE, STRANDED, ORANGE PVC, G.P. SAE TYPE 1
FUSEHOLDER IS SHIPPED WITH KNOB AND BODY ASSEMBLED (FUSE INSTALLED).

GENERAL NOTES:
1. TOTAL WEIGHT OF SHIPPING CARTON SHALL BE LIMITED TO 50 LBS. MAX.

| COMPONENT NO | DESCRIPTION | QTY/M | U/M |
|--------------|-------------|-------|-----|
| NO | NO | | |

| BILL OF MATERIAL | | | |
|------------------|-----------|--------|--------------------------------------|
| COPIES TO | MATL SPEC | FINISH | |
| 1 | DRW | DATE | SCALE |
| 2 | CHK | JMB | 2/11/99 |
| 3 | APPD | DATE | SUPER DRW |
| 4 | | DATE | RAW STK WT |
| 5 | | DATE | LBS/M |
| 6 | | | TOLERANCE UNLESS OTHERWISE SPECIFIED |
| 7 | | | TWO PLACE DEC ±.01 |
| 8 | | | THREE PLACE DEC ±.005 |
| | | | ANGULAR ±1° |

| LTR | REVISION | CHK | APD |
|-----|--|-----|-----|
| F | 39728C- REVISE & REDRAWN ON NEW FORMAT 2/26/99 JMB | | |
| G | 82904C - OBS. OFNY0075Z, OFNY0009Z | | |
| - | 3/21/03 BJJ | | |

DES PLAINES, ILLINOIS 60016
 SERIES OUTLINE
 OFNY0000Z

UNLESS OTHERWISE SPECIFIED, DIMENSIONS DO NOT INCLUDE PLATING.
 DENOTES CRITICAL CHARACTERISTICS.
 DENOTES CPK DIMENSIONS - MINIMUM CPK VALUE
 DENOTES A CHARACTERISTIC THAT PROVIDES AN INDICATION OF PROCESS PERFORMANCE. REFERENCE PROCEDURE FOR MEASUREMENT OF THIS CHARACTERISTIC IS LOCATED IN THE INSTRUCTIONS.
 DIMENSIONS OF DIMENSIONS - MINIMUM CP VALUE SHALL BE WITHIN THE DIMENSIONAL LIMITATIONS AND TOLERANCES SPECIFIED IN THE INSTRUCTIONS FOR MAXIMUM TOOL LIFE.

UNCONTROLLED DOCUMENT