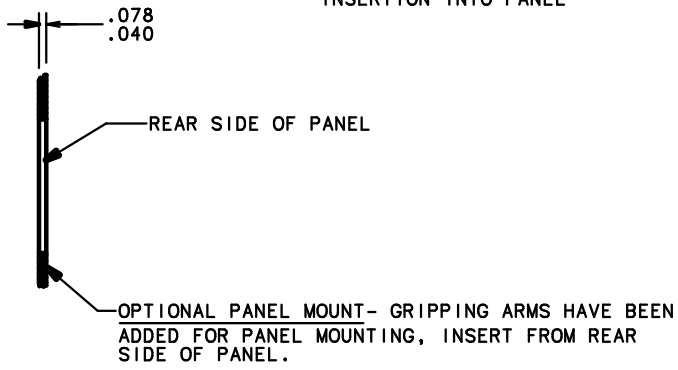
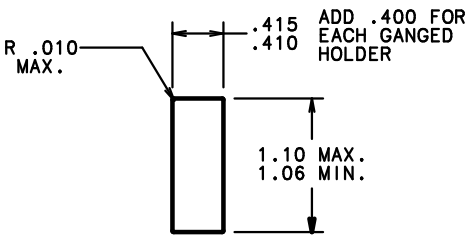
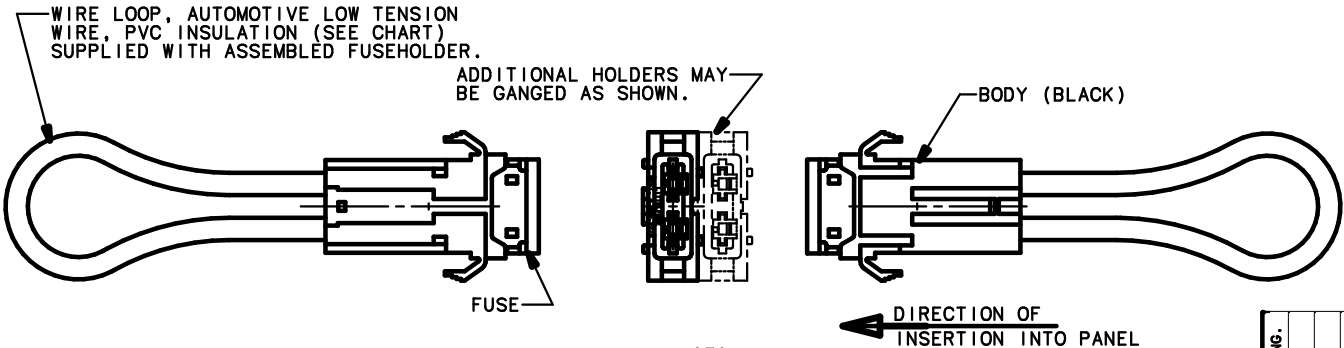


| ASSEMBLED PART No. | WIRE | | MAXIMUM RATING | FUSE No. |
|--------------------|-------|--------|-----------------|-----------|
| | GAUGE | COLOR | | |
| OAFH0001Z | 14 | BLACK | N/A | N/A |
| OAFH0002Z | 10 | ORANGE | N/A | N/A |
| OAFH0003Z | 14 | BLACK | 20 AMP, 32 VOLT | ATO 3 |
| OAFH0004Z | 14 | BLACK | 20 AMP, 32 VOLT | ATO 4 |
| OAFH0005Z | 14 | BLACK | 20 AMP, 32 VOLT | ATO 5 |
| OAFH007.5Z | 14 | BLACK | 20 AMP, 32 VOLT | ATO 7 1/2 |
| OAFH0010Z | 14 | BLACK | 20 AMP, 32 VOLT | ATO 10 |
| OAFH0015Z | 14 | BLACK | 20 AMP, 32 VOLT | ATO 15 |
| OAFH0020Z | 14 | BLACK | 20 AMP, 32 VOLT | ATO 20 |
| OAFH0025Z | 10 | ORANGE | 30 AMP, 32 VOLT | ATO 25 |
| OAFH0030Z | 10 | ORANGE | 30 AMP, 32 VOLT | ATO 30 |



| NO | COMPONENT NO | DESCRIPTION | QTY/M | U/M | BILL OF MATERIAL | |
|----|--------------|-------------|-------|-----|--|----------------|
| | | | | | MATL SPEC | FINISH |
| | | | | | COPIES TO | |
| 1 | 9 | 18 | DRW | JMB | DATE | 1/21/98 |
| 2 | 10 | 19 | CHK | | DATE | |
| 3 | 12 | 20 | APPD | | DATE | |
| 4 | 13 | 21 | | | DATE | |
| 5 | 14 | 23 | | | DATE | |
| 6 | 15 | 33 | | | DATE | |
| 7 | 16 | 43 | | | DATE | |
| 8 | 17 | 53 | | | DATE | |
| | | | | | TOLERANCE UNLESS OTHERWISE SPECIFIED | |
| | | | | | TWO PLACE DEC ±.01 | |
| | | | | | THREE PLACE DEC ±.005 | |
| | | | | | ANGULAR ±1° | |
| | | | | | LBS/M | |
| | | | | | SCALE | 1=1 |
| | | | | | SUPER DRW | |
| | | | | | RAW STK WT | |
| | | | | | AUTOFUSE IN-LINE FUSEHOLDER (WITH & W/O 257 SERIES AUTOFUSE) | |
| | | | | | FORMING NO. | OAFH000 SERIES |
| | | | | | DRAWING NO. | D |
| | | | | | OUTLINE | |
| | | | | | OAFH000 SERIES | |
| | | | | | DES PLAINES, ILLINOIS 60016 | |
| | | | | | Littelfuse® | |

| LTR | REVISION | CHK | APD |
|-----|--|-----|-----|
| C | 38991C-REVISED & REDRAWN ON NEW FORMAT 2/23/98 JMB | | |
| D | 39865B-CHG 14 TO 10, BLACK TO ORANGE 5/7/99 PJM | | |

- NOTES:
1. TEMPERATURE RATING: -40°C. TO +85°C.
 2. BODY MATERIAL - HEAT STABILIZED NYLON 6/6, UL 94 V-2, COLOR BLACK.

UNLESS OTHERWISE SPECIFIED, DIMENSIONS DO NOT INCLUDE PLATING.
 DENOTES CRITICAL CHARACTERISTICS.
 DENOTES CPK DIMENSIONS.-MINIMUM CPK VALUE 1.0
 DENOTES A CHARACTERISTIC THAT PROVIDES AN INDICATION OF PROCESS PERFORMANCE. THE PROCEDURE FOR MEASUREMENT OF THIS CHARACTERISTIC IS LOCATED IN THE INSTRUCTIONS.
 DIMENSIONS OF DIMENSIONS.-MINIMUM CP VALUE SHALL BE WITHIN THE DIMENSIONAL LIMITATIONS SHOWN UNLESS OTHERWISE SPECIFIED.
 FOR MAXIMUM TOOL LIFE.

UNCONTROLLED DOCUMENT