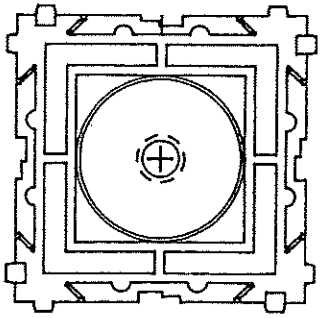
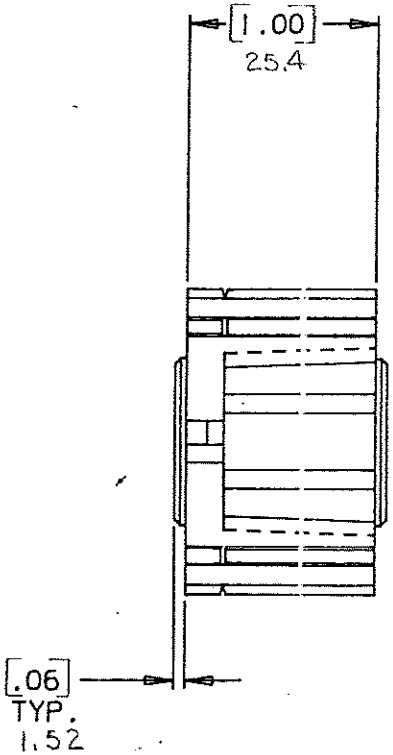
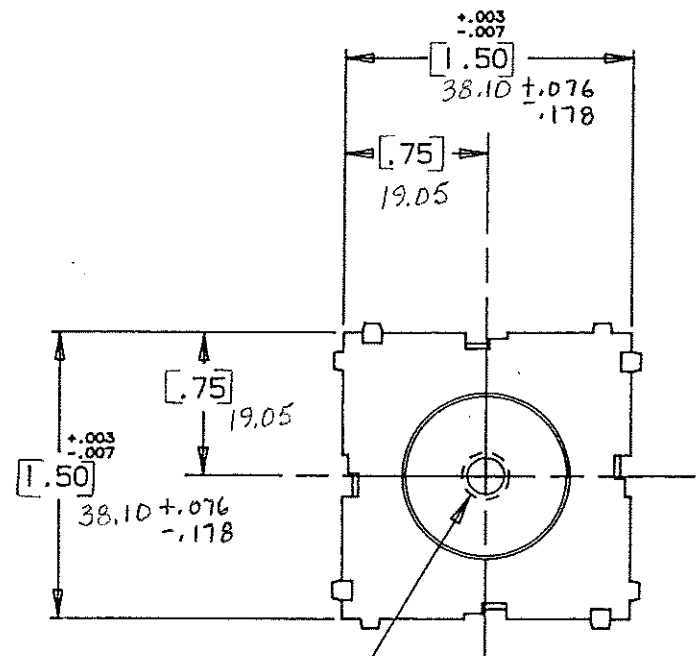


M8 X 1.25	354539	108 LB.-IN (12.0 N.m)
"A" TAP	LITTELFUSE N ^o	RECOMENDED TORQUE



"A" TAP THRU
(SEE CHART)

NOTE:
ALL DIMENSIONS ARE IN MILLIMETERS.
ENGLISH DIMENSIONS IN [].

CERTIFICATION OF
COUNTRY OF ORIGIN
REQUIRED

COPIES TO	18	MAT'L. SPEC.	Nylon Color: Black	
	19		FINISH	SCALE
	20			SUPER. DR.
	21			
22	DR. <i>GES.</i>	DATE		TOLERANCE UNLESS OTHERWISE SPECIFIED
23	APPD. <i>A. H. H. H.</i>	DATE	TWO PLACE DEC. ± .50mm [0.02] FRACTION ±	
24			THREE PLACE DEC. ± .25mm [0.01] ANGULAR ±	
25			LBS./M	
26			TITLE	
27			Power Tap Module	
28			Littefuse	
29			800 E. NORTHWEST HIGHWAY	
30			DES PLAINES, ILLINOIS 60016	
31			DRWG. NO. D-03540539Z	

LTR	REVISION	CHK.	APD.
A	06559 - RELEASED OCTOBER 25, 94 GES.	GES	AA
B	36988C - ADD METRIC DIM. 7-19-95 RFR	CS	CS
C	37055B. CHANGE TITLE 8-19-95 JOU	TRR	CS
D	000807ER - RE-INSTATE 10/09/09 J.U.		

DRAWING NO.