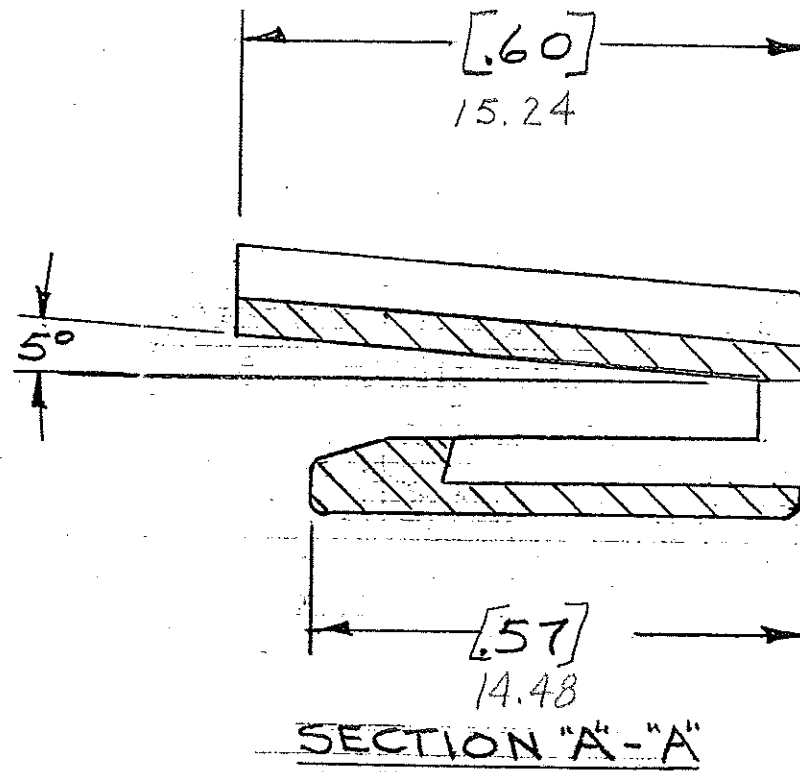
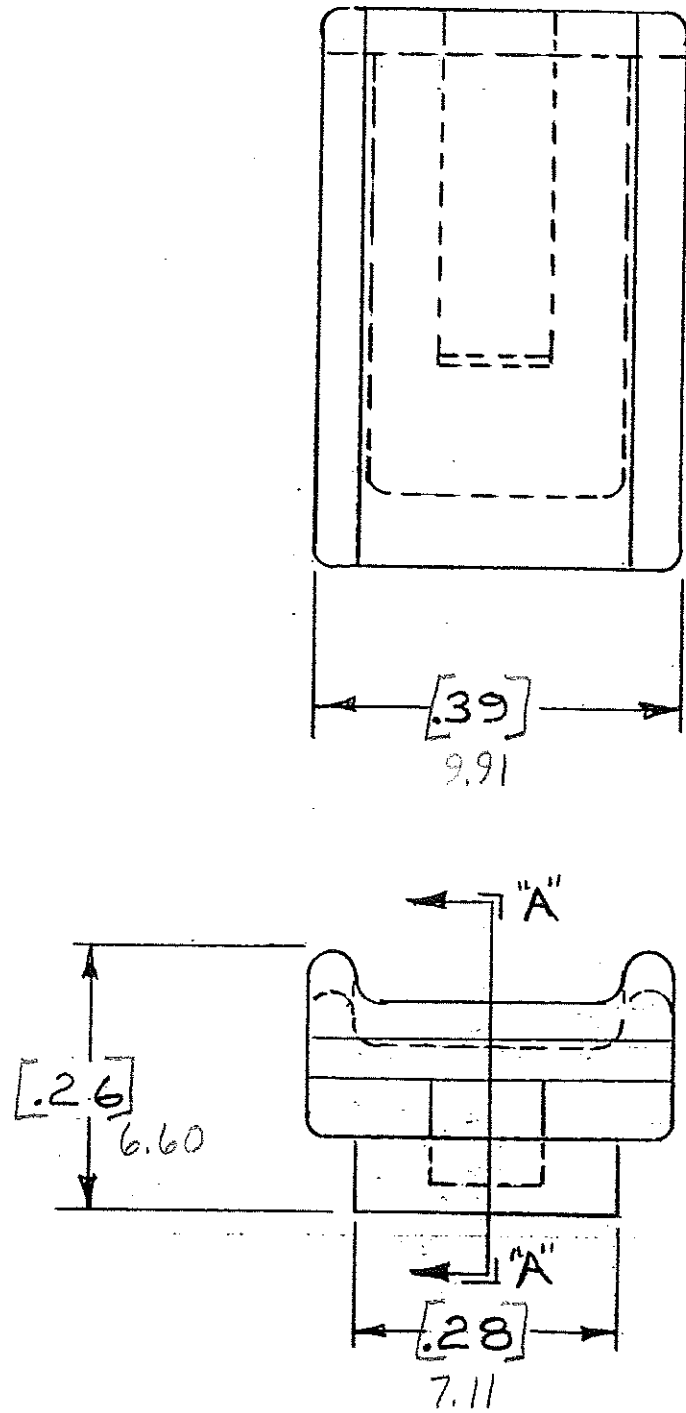


DRAWING NO.



NOTE: ALL DIMENSIONS ARE IN MILLIMETERS.
ENGLISH DIMENSIONS IN [].

THIS DRAWING WAS RELEASED BY D.P. PER AND
CHECKED BY J.U.

CERTIFICATION OF
COUNTRY OF ORIGIN
REQUIRED

COPIES TO		MAT'L. SPEC.	FINISH	SCALE	DR.	CHK.	DATE	SUPER. DR.	RAW STK. WT.	LBS./M
1	2	NYLON			GES.	600	10-11-94			
3	4									
5	6									
7	8									
9	10									
11	12									
13	14									
15	16									
17	18									
19	20									
21	22									
23	24									
25	26									
27	28									
29	30									
31	32									
33	34									
35	36									
37	38									
39	40									
41	42									
43	44									
45	46									
47	48									
49	50									
51	52									
53	54									
TITLE		TERMINAL LOKS								
LTR		REVISION		CHK.		APD.		DRWG. NO.		
A		06534 - RELEASED OCTOBER 10, 94 GES.		600		A.A.		E- 03540531Z		
B		36988C - ADD METRIC DIM 8-19-95 RFR		600		600				
C		37055D - CHANGE TITLE 9-19-95 J.U.		600		600				
D		37150D - CHANGE FILE 11/31/95 GES.		600		600				
E		000807ER - RE-INSTATE 10/09/09 J.U.								