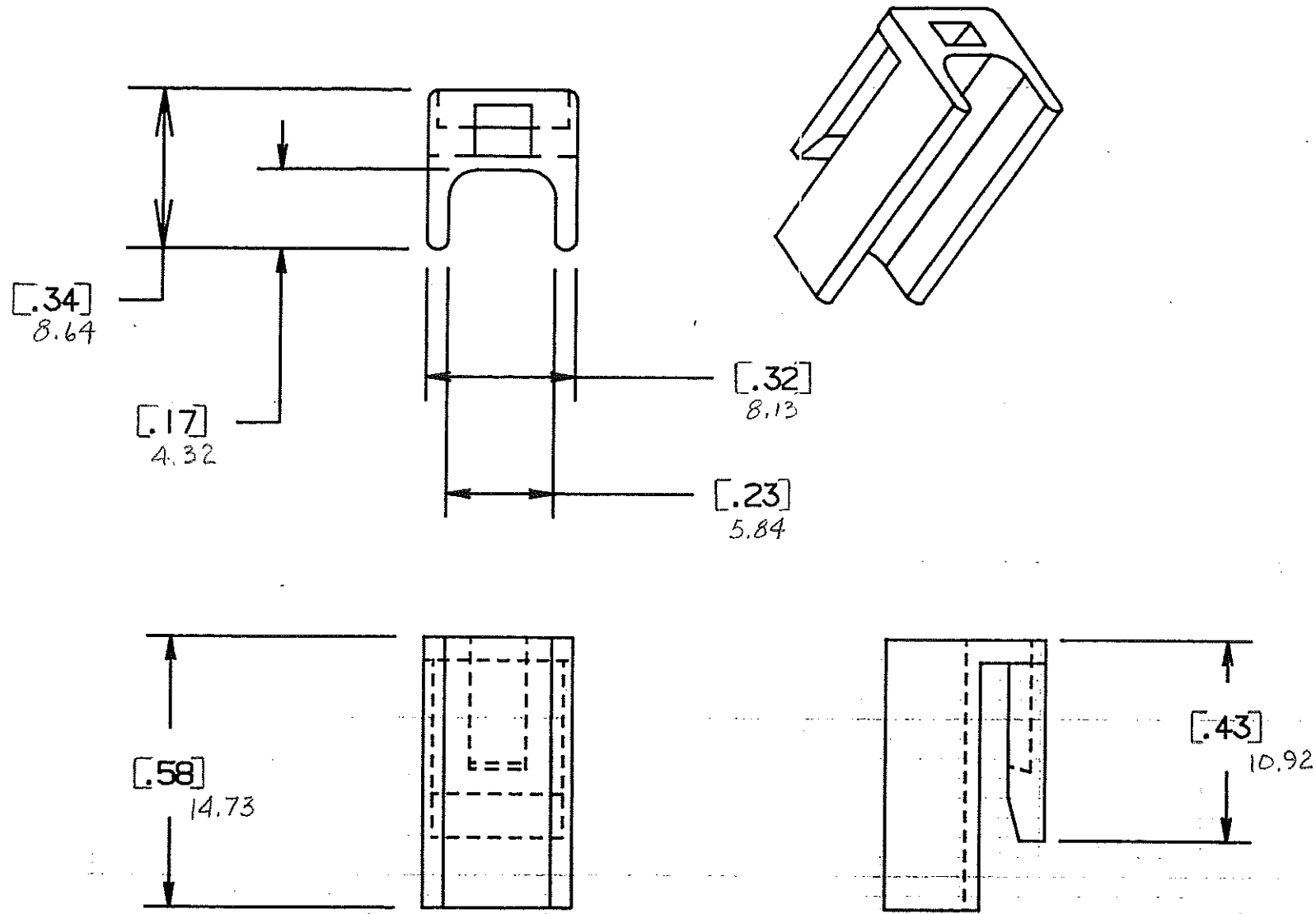


DRAWING NO.

NOTE:

ALL DIMENSIONS ARE IN MILLIMETERS.  
ENGLISH DIMENSIONS IN [ ].



CERTIFICATION OF  
COUNTRY OF ORIGIN  
REQUIRED

COPIES TO		MAT'L. SPEC.	FINISH	CHK'G	DATE	SCALE	SUPER. DR.	RAW STK. WT.	LBS./M
1	2	Nylon			10-11-94				
3	4								
5	6								
7	8								
9	10								
11	12								
13	14								
15	16								
17	18								
19	20								
21	22								
23	24								
25	26								
27	28								
29	30								
31	32								
33	34								
35	36								
37	38								
39	40								
41	42								
43	44								
45	46								
47	48								
49	50								
51	52								
53	54								
TOLERANCE UNLESS OTHERWISE SPECIFIED TWO PLACE DEC. ± .50mm [.020] FRACTION ± THREE PLACE DEC. ± .25mm [.010] ANGULAR ±									
TITLE									
TERMINAL LOCKS									
Littelfuse 800 E. NORTHWEST HIGHWAY DES PLAINES, ILLINOIS 60016									
DRWG. NO. E- 03540527Z									

LTR	REVISION	CHK.	APP.
A	06534 - RELEASED OCTOBER 10, 94 Ges.	Ges	AB
B	36988C - ADD METRIC DIMS 7-19-95 RFR	RFR	G
C	37058D - CHANGE TITLE 8-19-95 JDU	JDU	G
D	371500 - CHANGE TITLE 11/19/95 Ges	Ges	G
E	000807ER - RE-INSTATE 10/09/09 J.U.		