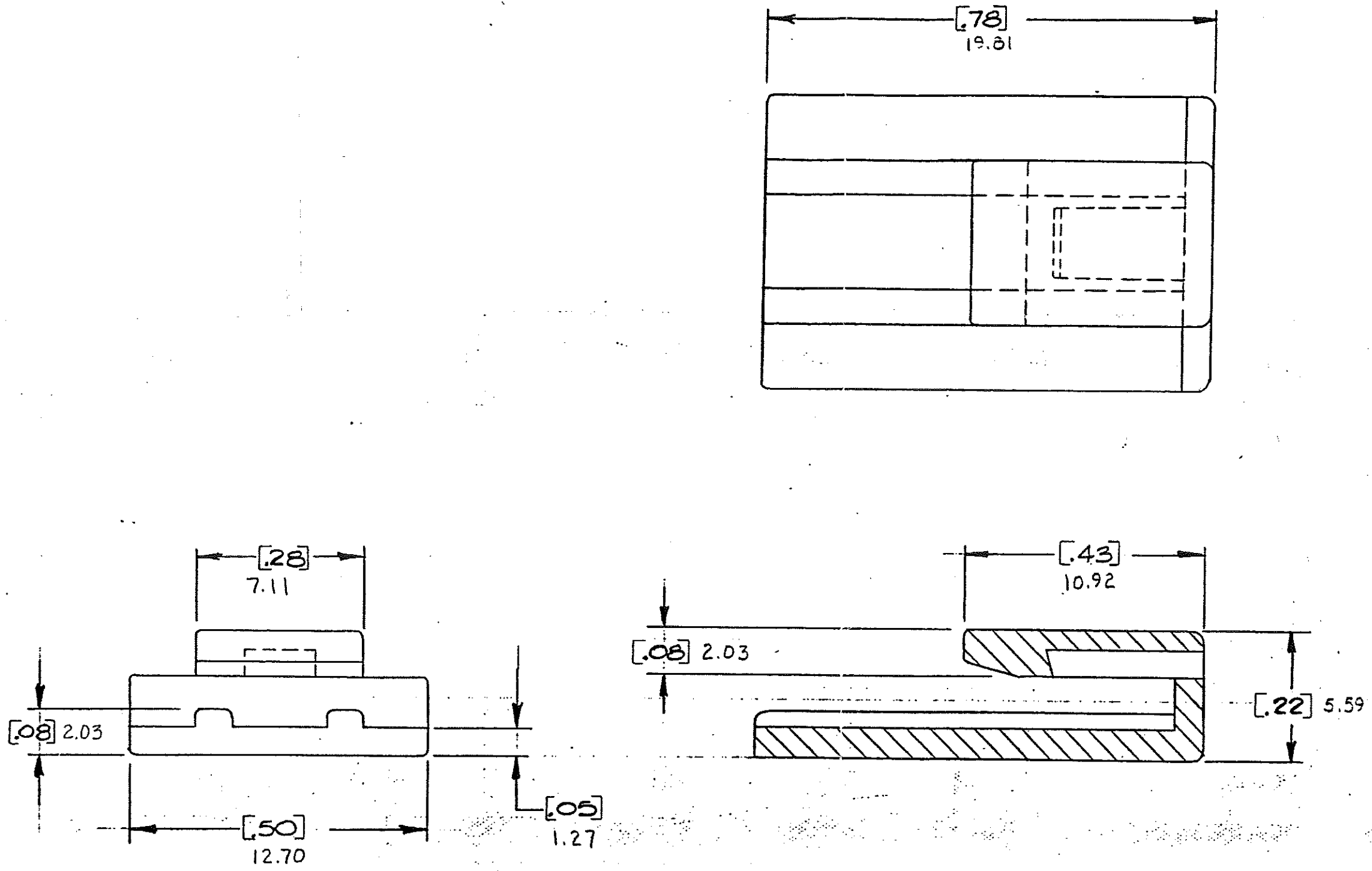


DRAWING NO.



NOTE:
ALL DIMENSIONS ARE IN MILLIMETERS.
ENGLISH DIMENSIONS IN [].

CERTIFICATION OF
COUNTRY OF ORIGIN
REQUIRED

COPIES TO		MAT'L. SPEC.		FINISH		SCALE	
1	2	3	4	5	6	7	8
9	10	11	12	13	14	15	16
17	18	19	20	21	22	23	24
25	26	27	28	29	30	31	32
33	34	35	36	37	38	39	40
41	42	43	44	45	46	47	48
49	50	51	52	53	54	55	56
57	58	59	60	61	62	63	64
65	66	67	68	69	70	71	72
73	74	75	76	77	78	79	80
81	82	83	84	85	86	87	88
89	90	91	92	93	94	95	96
97	98	99	100				
TITLE		Nylon		Color: Green		SUPER. DR.	
TERMINAL LOCK		DR. Ges. Dr. 7.94		CHK. GFS		RAW STK. WT. LBS./M	
		APP. A. Havelley		DATE 10-11-94			
						TOLERANCE UNLESS OTHERWISE SPECIFIED:	
						TWO PLACE DEC. $\pm .50$ mm [$\pm .010$] FRACTION \pm	
						THREE PLACE DEC. $\pm .25$ mm [$\pm .010$] ANGULAR \pm	
						DRWG. NO. F - 03540526Z	
						Littelfuse 800 E. NORTHWEST HIGHWAY DES PLAINES, ILLINOIS 60016	

LTR	REVISION	CHK.	APD.
A	06534 - RELEASED October 10, 94	Ges.	A.H.
B	30644D - CHG 2 PLACE TOLERANCE - .010 TO .020 3 PLACE TOLERANCE .020 TO .010 2-10-95 GJG	Ges.	Ges.
C	36988C - ADD METRIC DIM'S 7-19-95 RFR	Ges.	Ges.
D	37055D - CHANGE TITLE 9-19-95 JCU	TRK	Ges.
E	37150D - CHANGE TITLE REVISE ACCORDINGLY 11/15/95	Ges.	Ges.
F	000807ER - RE-INSTATE 10/09/09 J.U.		