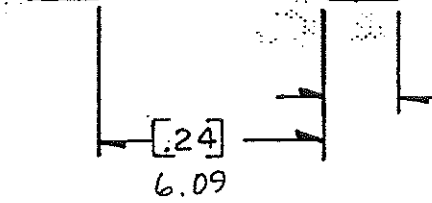
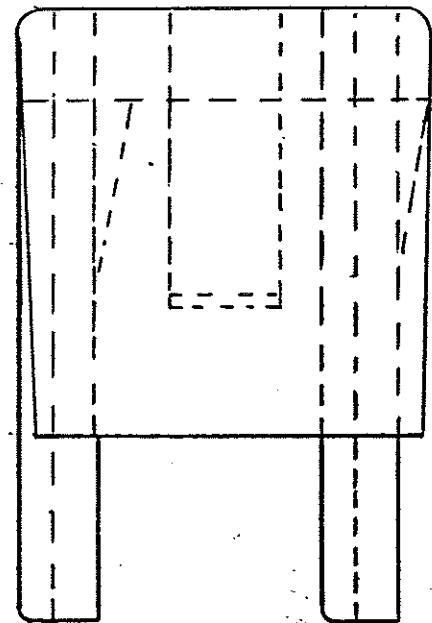
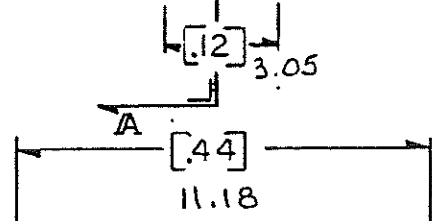
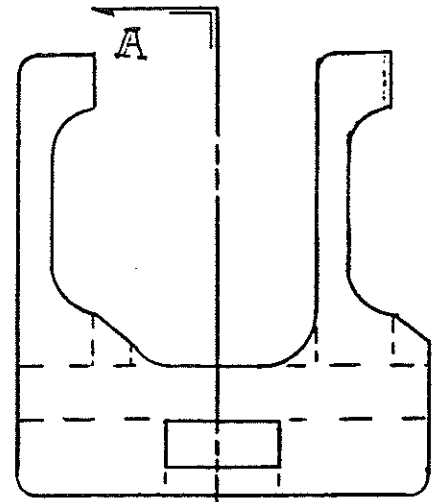
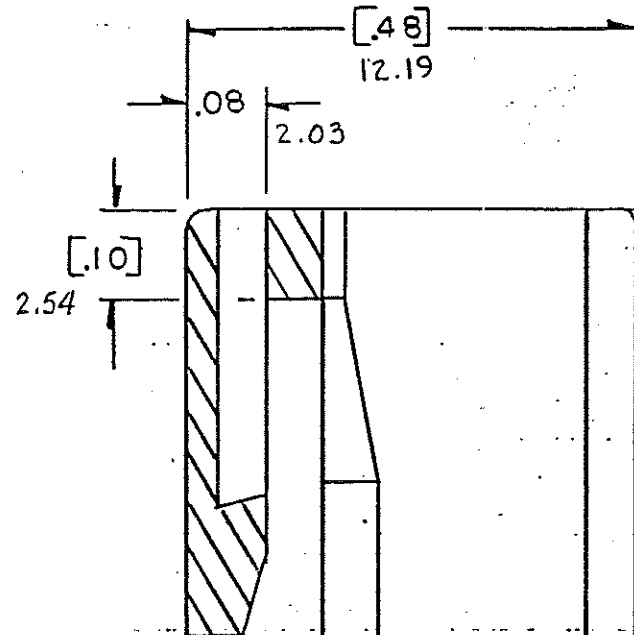


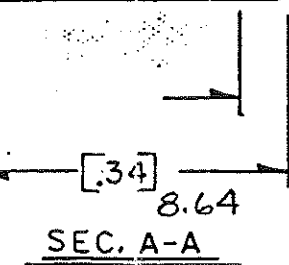
DRAWING NO.



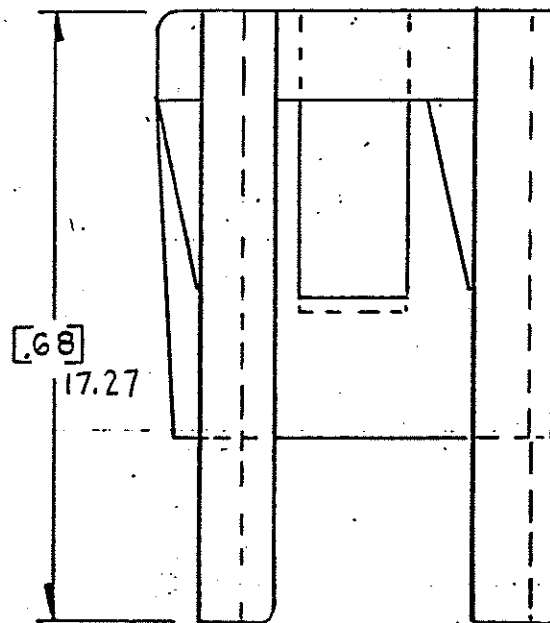
[.08] 2.03
TYP



[.10] 2.54



SEC. A-A



[.68] 17.27

NOTE:

ALL DIMENSIONS ARE IN MILLIMETERS.
ENGLISH DIMENSIONS IN [].

CERTIFICATION OF
COUNTRY OF ORIGIN
REQUIRED

COPIES TO	MAT'L SPEC.	FINISH		DR. CHK	DATE	SUPER. DR.	LBS./M
		18	19				
9				GES.	10-11-94		
10							
11							
12							
13							
14							
15							
16							
17							
18							
19							
20							
21							
22							
23							
24							
25							
26							
27							
28							
29							
30							
31							
32							
33							
34							
35							
36							
37							
38							
39							
40							
41							
42							
43							
44							
45							
46							
47							
48							
49							
50							
51							
52							
53							
54							
55							
56							
57							
58							
59							
60							
61							
62							
63							
64							
65							
66							
67							
68							
69							
70							
71							
72							
73							
74							
75							
76							
77							
78							
79							
80							
81							
82							
83							
84							
85							
86							
87							
88							
89							
90							
91							
92							
93							
94							
95							
96							
97							
98							
99							
100							

LTR	REVISION	CHK.	APD.
A	06534 - RELEASED October 10, 94 Ges.	Ges	AM
B	36986C - ADV METRIC DIM'S 7-19-95 RFR	Ges	Ges
C	37085D - CHANGE TITLE 8-19-95 JOU	TBB	Ges
D	37150D - CHANGE TITLE Revise Dictionary 11/17/95 JOU	Ges	Ges
E	000807ER - RE-INSTATE 10/09/09 J.U.		

TERMINAL LOCKS

Littelfuse
800 E. NORTHWEST HIGHWAY
DES PLAINES, ILLINOIS 60016

DRWG. NO. E-03540525Z