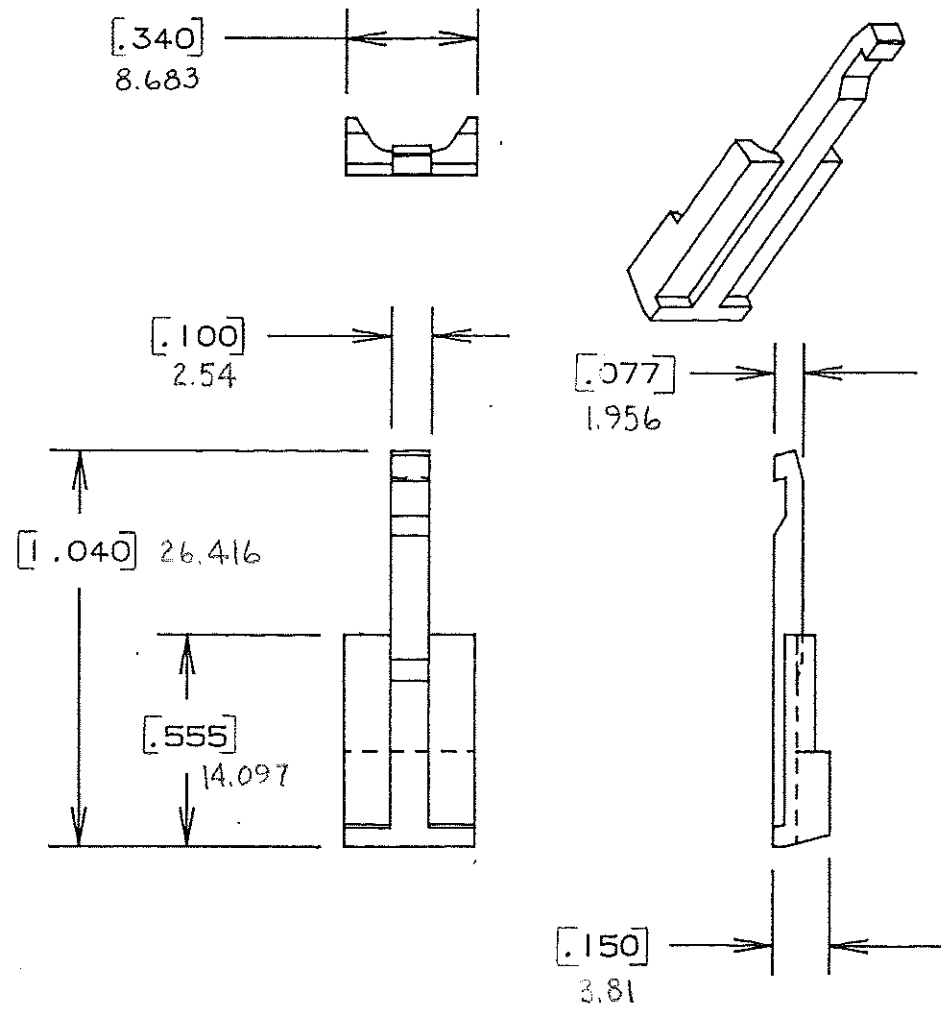


DRAWING NO.

NOTE:

ALL DIMENSIONS ARE IN MILLIMETERS.
ENGLISH DIMENSIONS IN [].



CERTIFICATION OF
COUNTRY OF ORIGIN
REQUIRED

COPIES TO		MAT'L. SPEC.		FINISH		SCALE		SUPER. DR.		RAW STK. WT.		LBS./M	
1	2	3	4	5	6	7	8	9	10	11	12	13	14
18	19	20	21	22	23	24	25	26	27	28	29	30	31
32	33	34	35	36	37	38	39	40	41	42	43	44	45
TITLE		Nylon		Color: Green		1		10-11-94		TOLERANCE UNLESS OTHERWISE SPECIFIED		FRACTION ±	
TERMINAL LOCKS		DR. Ges. Oct. 7, 94		CHK. Ges.		DATE 10-11-94		TWO PLACE DEC. ± .50mm [.020]		THREE PLACE DEC. ± .25mm [.010]		ANGULAR ±	
LITTELFUSE		REVISION		CHK.		APD.		800 E. NORTHWEST HIGHWAY		DES PLAINES, ILLINOIS 60016		DRWG. NO. 03540524Z	
A		06534 - RELEASED OCTOBER 10, 94		Ges.		A.P.		369880C - ADD METRIC DIMS 7-19-95		RFR		Ges. Ges.	
B		37035D - CHANGE TITLE 8-19-95		JCU		TRB		37035D - CHANGE TITLE 8-19-95		JCU		Ges. Ges.	
C		37150D - CHANGE TITLE 11/3/95		GIS		GIS		E		000807ER - RE-INSTATE 10/09/09		J.U.	
D		E											