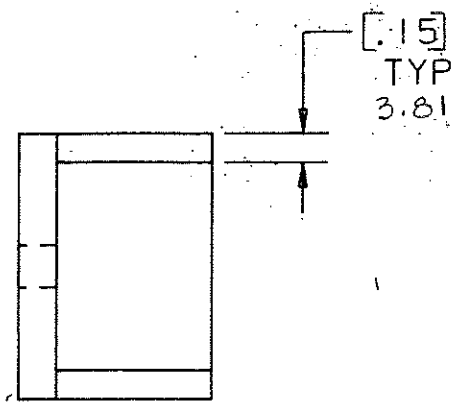
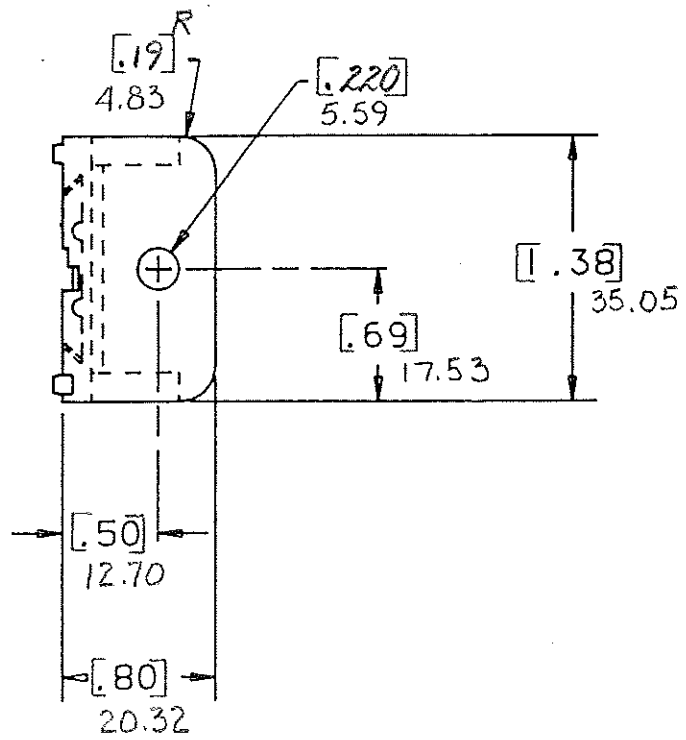
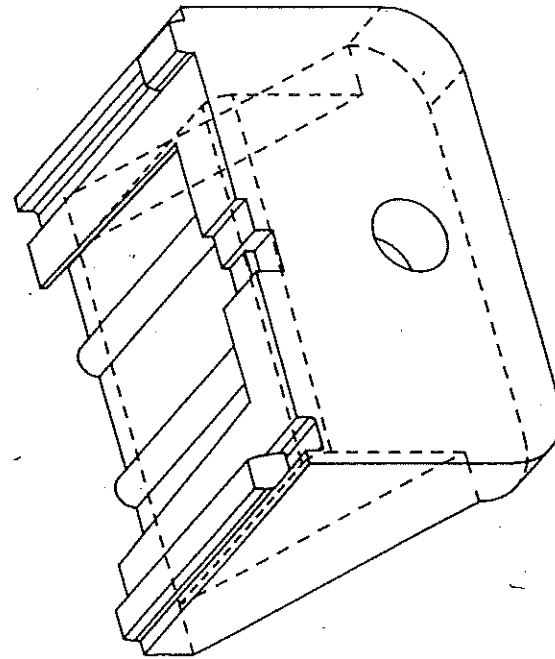
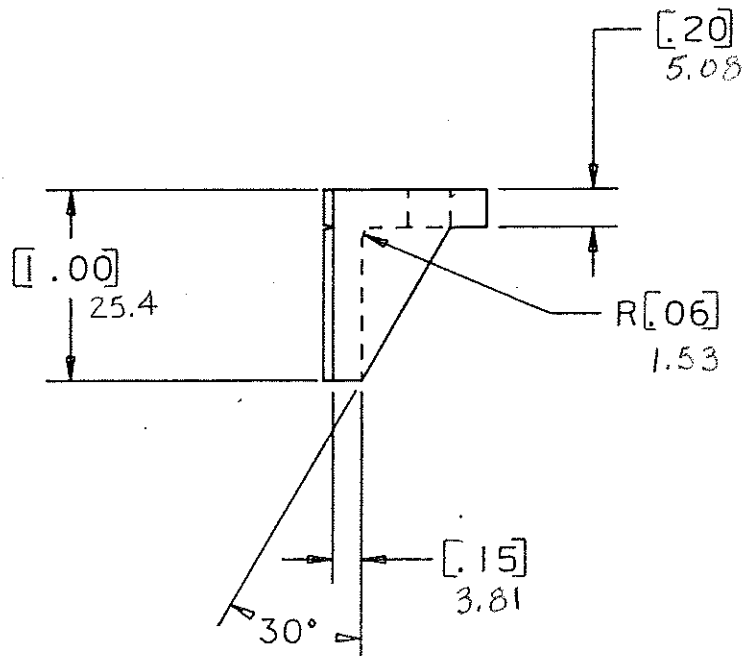


DRAWING NO.



CERTIFICATION OF
COUNTRY OF ORIGIN
REQUIRED



NOTE:

ALL DIMENSIONS ARE MILLIMETERS,
ENGLISH DIMENSIONS IN [].

COPIES TO		MAT'L SPEC.	FINISH	SCALE	DR.	CHK'D	DATE	SUPER. DR.	RAW STK. WT.	LBS./M
1	9				GES. Dr. 7.94	W.	10-11-94			
2	10				APPD. A. Hickey					
3	12									
4	13									
5	14									
6	15									
7	16									
8	17									
	18									
	19									
	20									
	21									
	23									
	33									
	43									
	53									
TOLERANCE UNLESS OTHERWISE SPECIFIED TWO PLACE DEC. ± .50mm [0.020] FRACTION ± 1/16 THREE PLACE DEC. ± .25mm [0.010] ANGULAR ± 1°										
TITLE FLUSH MOUNTING LEG										
Littelfuse 800 E. NORTHWEST HIGHWAY DES PLAINES, ILLINOIS 60016										
DRWG. NO D. 03540519Z										
LTR	REVISION		CHK.	APPD.						
A	06534 - Released October 10, 94		GES.	AD						
B	36988C - ADD METRIC DIMS 7-19-95		GES	GES						
C	37055D - CHANGE TITLE 8-19-95		JCU	GES						
D	000807ER - RE-INSTA 10/09/09		J.U.							