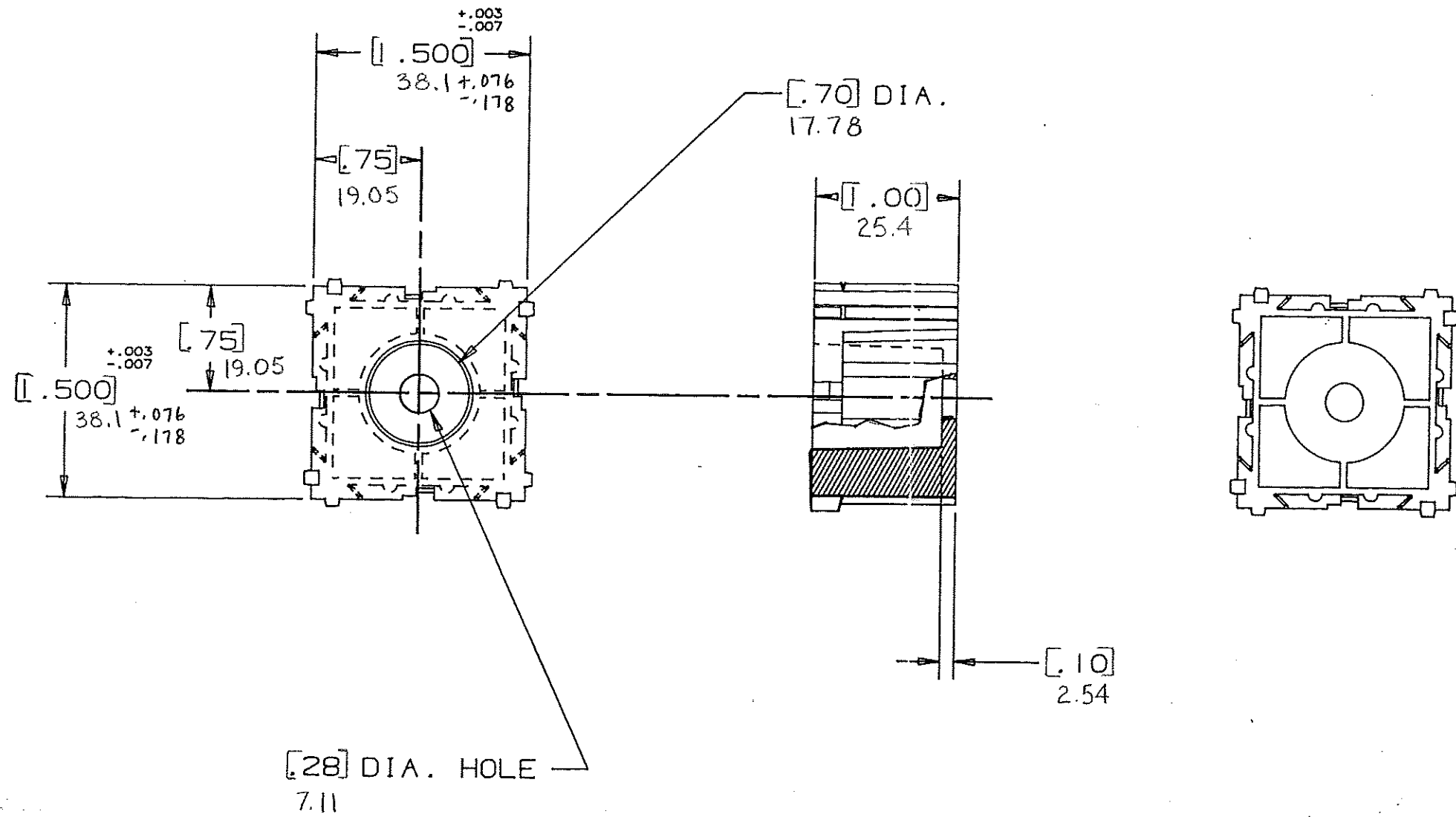


DRAWING NO.



CERTIFICATION OF
COUNTRY OF ORIGIN
REQUIRED

COPIES TO		MAT'L. SPEC.		FINISH		SCALE		SUPER. DR.		RAW STK. WT.		LBS./M	
1	2	3	4	5	6	7	8	9	10	11	12	13	14
18	19	20	21	23	33	43	53	18	19	20	21	23	33
TITLE		MOUNTING MODULE		Nylon Color: Black		TOLERANCE UNLESS OTHERWISE SPECIFIED		TWO PLACE DEC. ± .50mm [.020] FRACTION ±		THREE PLACE DEC. ± .25mm [.010] ANGULAR ±		DRWG. NO. 03540514Z	
LTR		REVISION		CHK.		APPD.		DATE		DR.		G.E.S. Dr. 7.94	
A		06534 - RELEASED		G.S.		A. Appleby		10-11-94		G.S.		10-11-94	
B		36988C - ADD METRIC DIMS		G.S.		JCH		7-19-95		G.S.		7-19-95	
C		37068D - CHG TITLE		G.S.		JCH		8-19-95		G.S.		8-19-95	
D		000807ER - RE-INSTATE		G.S.		J.U.		10/09/09		G.S.		10/09/09	

NOTE: ALL DIMENSIONS ARE IN MILLIMETERS.
ENGLISH DIMENSIONS IN [].

ALL DIMENSIONS ARE IN MILLIMETERS UNLESS OTHERWISE SPECIFIED