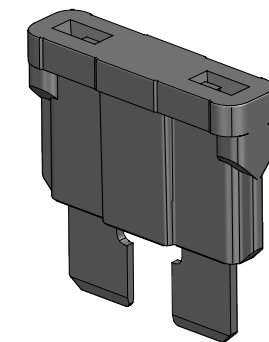
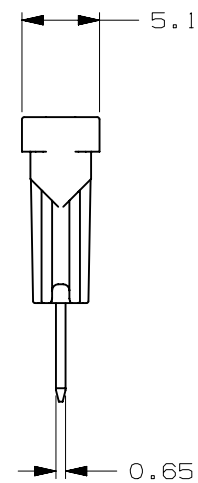
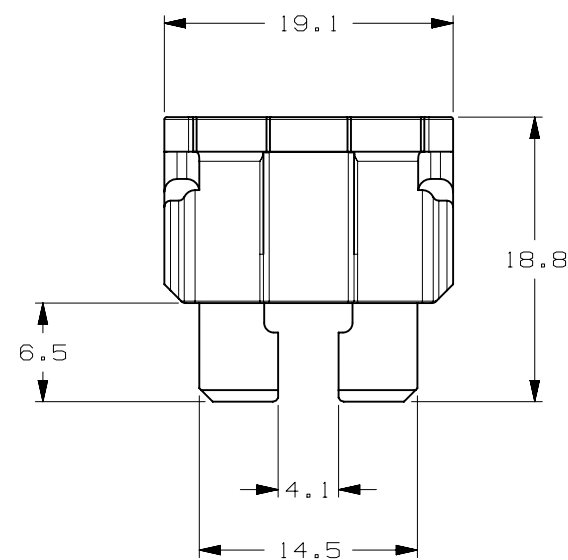


CURRENT RATE [ A ]	VERSIONS AND PART NUMBERS ATO SMART GLOW
3	OAT0003.VPGLO
5	OAT0005.VPGLO
7.5	OAT0007.5VPGLO
10	OAT0010.VPGLO
15	OAT0015.VPGLO
20	OAT0020.VPGLO
25	OAT0025.VPGLO
30	OAT0030.VPGLO
35	OAT0035.VPGLO

LTR	DATE	REVISION	DRW
A	01/FEB/23	526135GCA - INITIAL RELEASE	OPL



ISOMETRIC VIEW

ATO SMART GLOW 32V						
TERMINAL MATERIAL:	ZINC ALLOY					
TERMINAL PLATING:	TIN					
HOUSING MATERIAL:	2A-20A: PC 1A & 25A: PSU 30A & 40A: PA 6/6 35A: PES					
LINEAR DIMENSIONS					ANGLES	RADII
DIM	.5 - 6	6 - 30	30 - 120	120 - 400	±0.5°	±0.2
TOL	±0.1	±0.2	±0.3	±0.5		
3RD ANGLE PROJECTION		Littelfuse® CHICAGO, USA 773-628-1000		REVISION	DRWG. NO.	
				A	WEB-0AT0000.VPGLO	