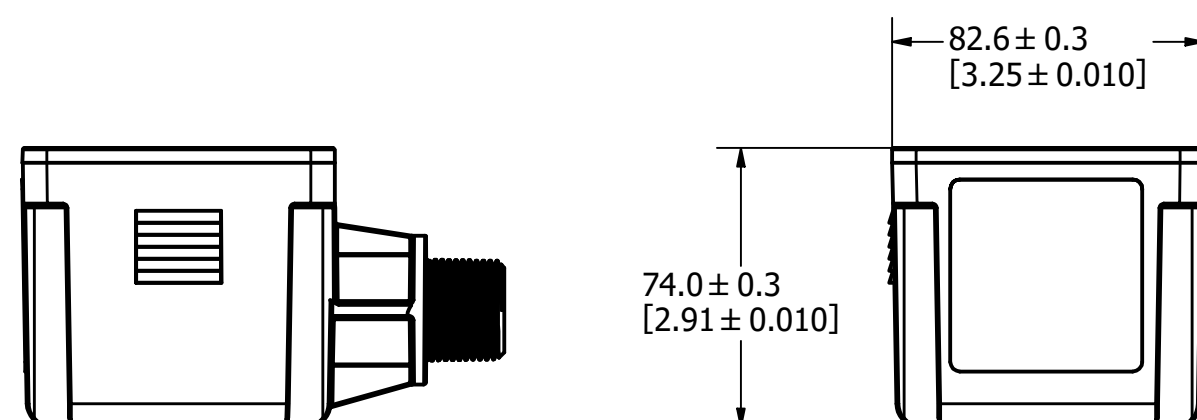
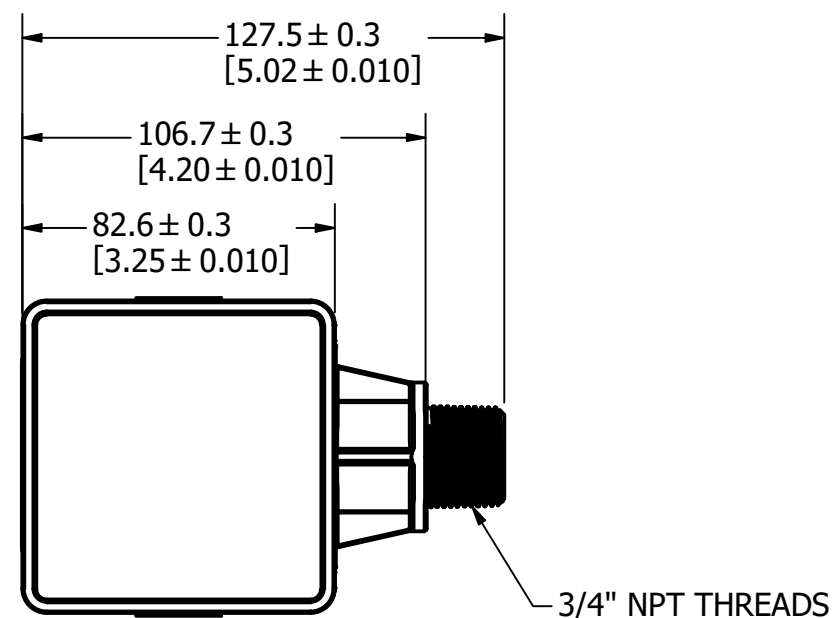
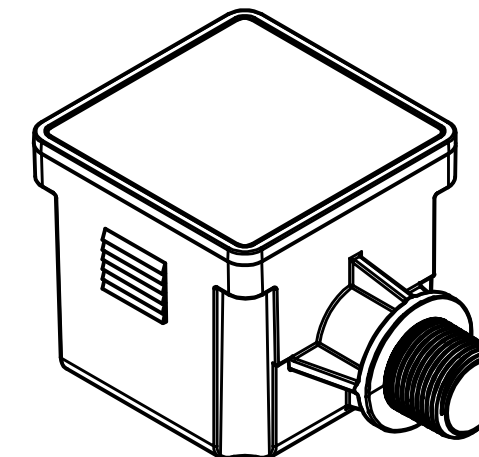
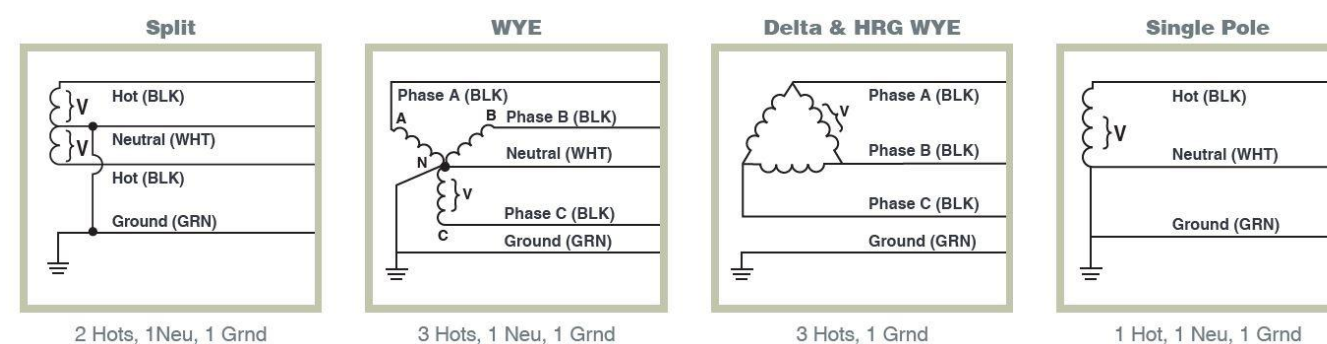


PART NO.	MAX. CONTINUOUS OPERATING VOLTAGE (AC)	NOMINAL AC VOLTAGE	ELECTRICAL SYSTEM
SPDN-B120-1P	180	120	SINGLE PHASE
SPDN-B120-2S	180	240/120	SPLIT PHASE
SPDN-B120-3Y	150	208/120	3 PHASE WYE
SPDN-B240-1P	350	240	SINGLE PHASE
SPDN-B240-3D	275	240	3 PHASE DELTA
SPDN-B277-3Y	350	480/277	3 PHASE WYE
SPDN-B480-3D	550	480	3 PHASE DELTA

REVISION		DESCRIPTION
REV	DATE	
A	5/16/23	526444GCP - RELEASE MRY



**WIRING CONFIGURATION**



- NOTES:**  
1. STANDARD LEAD LENGTH: 18-20"  
2. ENCLOSURE RATING: POLYCARBONATE 4X

NO	COMPONENT NO	DESCRIPTION	QTY/M	U/M
<b>BILL OF MATERIAL</b>				
<S>		CRITICAL CHARACTERISTIC FOR PART SAFETY/COMPLIANCE		
●		DENOTES CRITICAL CHARACTERISTICS.		
CPK		DENOTES CPK DIMENSIONS, -MINIMUM CPK VALUE		
Ⓢ		DENOTES A CHARACTERISTIC THAT PROVIDES AN INDICATION OF PROCESS PERFORMANCE. PROCEDURE FOR MEASUREMENT AND TRACKING TO BE DEFINED IN LITTELFUSE INSPECTION INSTRUCTIONS.		
CP		DENOTES CP DIMENSIONS, -MINIMUM CP VALUE MUST BE WITHIN THE DIMENSIONAL LIMITATIONS SHOWN ON DRAWING AND INITIALLY LOCATED TO ALLOW FOR MAXIMUM TOOL LIFE.		<b>C</b>
MATL SPEC		FINISH		
DRW myork	DATE 2/28/2023	SCALE NTS	FINISH GOOD WT GRAMS/PIECE	
UNLESS OTHERWISE SPECIFIED, DIMENSIONS ARE IN MILLIMETERS, DIMENSIONS IN BRACKETS [ ] ARE INCHES DIMENSIONING AND DO NOT INCLUDE PLATING. TOLERANCING TO BE INTERPRETED IN ACCORDANCE WITH ANSI Y14.5M-1994				
3RD ANGLE PROJECTION				
<b>TITLE</b> SURGE PROTECTION DEVICE, UL TYPE 1 OUTLINE				
<b>Littelfuse</b> CHICAGO, ILLINOIS 60631		REVISION	DRWG NO.	SHEET 1 OF 1
		A	OL-SPDN-B	