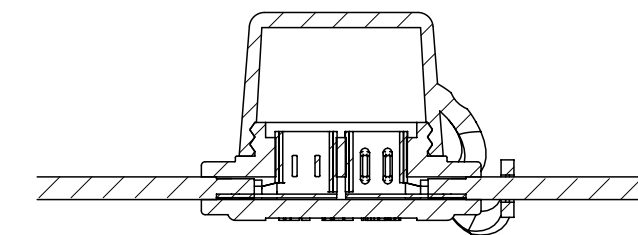
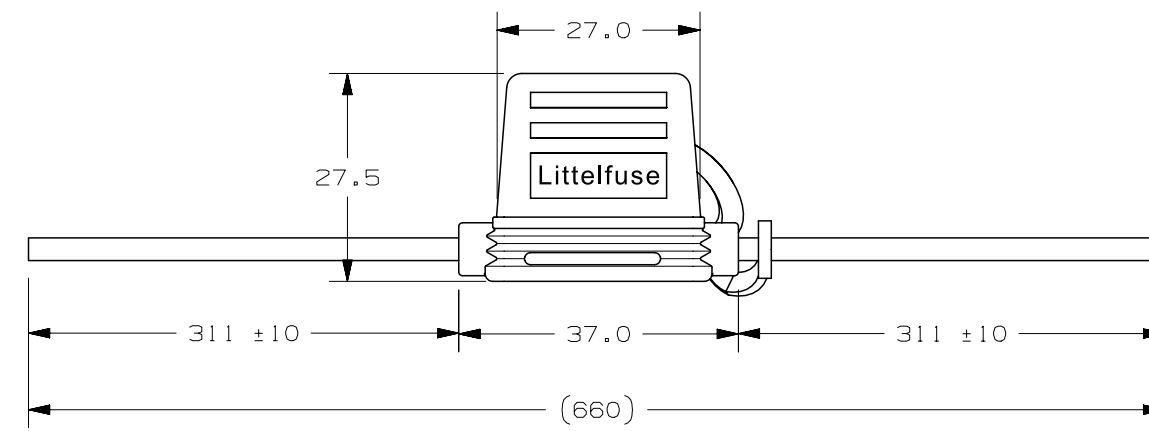
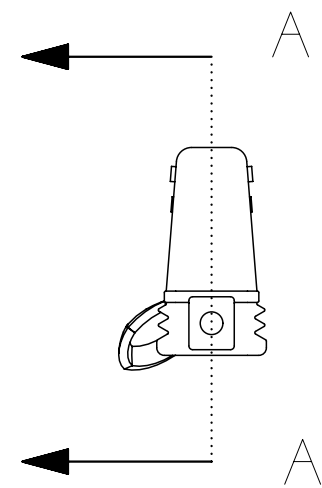
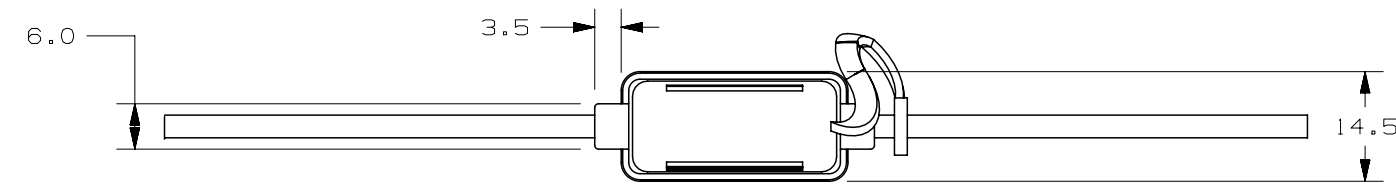


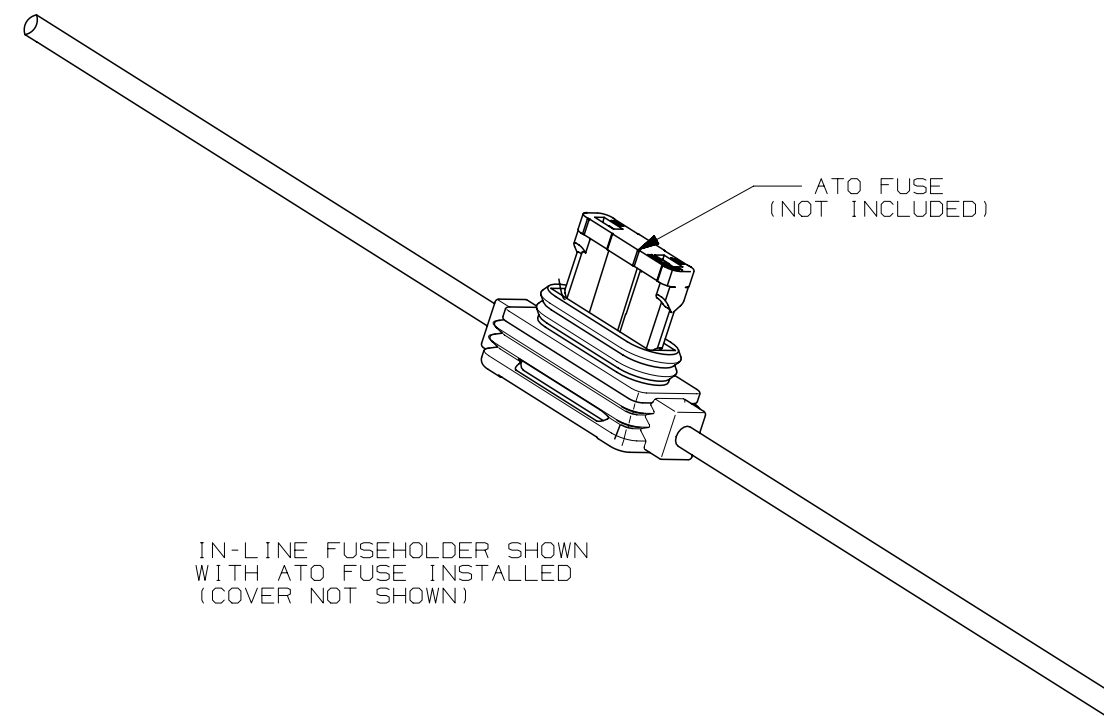
LTR	DATE	REVISION	CHK	APD
A	12/03/13	509876ERA-NEW RELEASED FYUE		
B	11/20/16	516095ECA-REMOVE SUPPLIER MATERIAL MODEL NUMBER FYUE		

INSPECTION NOTES:
1. INSPECT STRIPPED WIRE FOR CUT STRANDS (CONFORMS WITH IPC-A-610 STD.)
2. NO DAMAGE TO WIRE INSULATION
3. NO SHORT SHOTS ON MOLDING
4. FLASH OR GATING NOT TO EXCEED 0.13

NOTES:
1. HOLDER MATERIAL: BLACK TPV
2. CONTACTS: C2680 BRASS TIN-PLATED
3. WIRE: PE-X FLR2X-B YELLOW DIN72551 SEC. 2.5mm²
4. CRIMP: MUST MEET SAE/USCAR 21 STANDARD
5. RATING: MAX. 25A, 32Vdc
6. TEMPERATURE RANGE: -40°C TO 125°C
7. MAX CONTACT TEMPERATURE: 95°C
8. WEIGHT: 28 GRAMS
9. SHIPPED WITH COVER IN OPEN POSITION



SECTION A - A



IN-LINE FUSEHOLDER SHOWN WITH ATO FUSE INSTALLED (COVER NOT SHOWN)

METRIC
ASSEMBLY

UNLESS OTHERWISE SPECIFIED, DIMENSIONS ARE IN MILLIMETERS. DIMENSIONS IN BRACKETS [] ARE INCHES			
UNLESS OTHERWISE SPECIFIED, DIMENSIONS DO NOT INCLUDE PLATING.			
⊙	DENOTES CRITICAL CHARACTERISTICS.		
CPK	DENOTES CPK DIMENSIONS, -MINIMUM CPK VALUE		
ST	DENOTES A CHARACTERISTIC THAT PROVIDES AN INDICATION OF PROCESS PERFORMANCE. PROCEDURE FOR MEASUREMENT AND TRACKING TO BE DEFINED IN LITTELFUSE INSPECTION INSTRUCTIONS		
CP	DENOTES CP DIMENSIONS, -MINIMUM CP VALUE MUST BE WITHIN THE DIMENSIONAL LIMITATIONS SHOWN ON DRAWING AND INITIALLY LOCATED TO ALLOW FOR MAXIMUM TOOL LIFE		
COPIES TO	MATERIAL SPEC SEE NOTES		
1 9 18	FINISH SEE NOTES		
2 10 19	SEE NOTES		
3 12 20	DRW	DATE	SCALE
4 13 21	FYUE	11/28/13	1:1
5 14 23	CHK	DATE	SUPER DR
6 15 33	APPD	DATE	FINSH GOOD WT
7 16 43			GRAMS/PIECE
8 17 53			
TOLERANCE UNLESS OTHERWISE SPECIFIED ONE PLACE DEC +/- .3 THREE PLACE DEC +/- .100 TWO PLACE DEC +/- .25 ANGULAR +/- 1°			
3RD ANGLE PROJECTION	TITLE	ATO IN-LINE FUSEHOLDER	
Littelfuse	REVISION	DRWG. NO.	OUTLINE
DES PLAINES, ILLINOIS 60016	B	SFHA0001ZXJ	

CAD GENERATED DRAWING - NO PENCIL CHANGES ALLOWED