

# REVERSE ROTARY SWITCHES



74601-01

## Description

Littelfuse Rotary Switches are designed for universal applications within harsh environments. Their mounting, body, and actuator features are designed for ease-of-use and extended product lifecycle.

Reverse Rotary Switches enable motors to operate in both forward and reverse, permitting end applications to act in both up/down, left/right, or in/out motions.

## Applications

- Construction Equipment
- Agricultural Equipment
- Material Handling Equipment
- Commercial Vehicles

## Web Resources

Download 2D print and technical resources at:  
[littelfuse.com/ReverseRotary](http://littelfuse.com/ReverseRotary)

## Ordering Information

PART NUMBERS	DESCRIPTION	CIRCUITRY	MOUNTING	VOLTAGE RATING	POSITIONS
75712-04 *	Three Position Universal Forward Reverse Rotary Switch, Shortened Neck	One Discrete and Two Momentary Application Positions	Hex Nut through ½ (12.7mm)-20 Panel Hole	50A at 12V DC	3: Mom On (A1&B1 and A2&B2) - Off - Mom On (A1&B2 and A2&B1)
90005-01 *	Three Position Universal Forward and Reverse Rotary Switch	One Discrete and Two Momentary Application Positions	Hex Nut through ½ (12.7mm)-20 Panel Hole	15A at 12V DC	3: Mom On (A&D and B&C) - Off - Mom On (A&C and B&D)

\* Box and Retail Blister Pack Available



Visit [Littelfuse.com](http://Littelfuse.com) for the most up-to-date product information. Littelfuse products are designed for specific applications and should not be used for any purpose (including, without limitation, automotive applications) not expressly set forth in applicable Littelfuse product documentation. Warranties granted by Littelfuse shall be deemed void for products used for any purpose not expressly set forth in applicable Littelfuse product documentation. Littelfuse shall not be liable for any claims or damages arising out of products used in applications not expressly intended by Littelfuse as set forth in applicable Littelfuse product documentation.

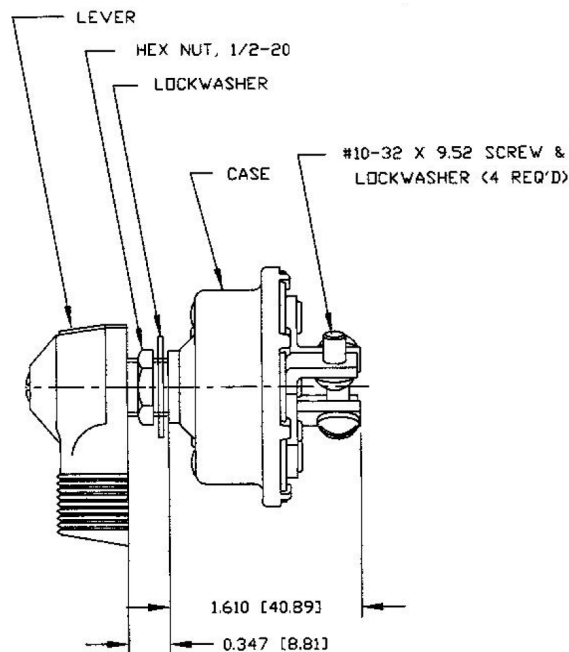
## Specifications Overview

<b>Circuitry:</b>	3: One Discrete and Two Momentary Application Positions
<b>Housing:</b>	Plated Steel
<b>Voltage Rating:</b>	12V DC
<b>Positions:</b>	3 Position
<b>Termination:</b>	4 Screws

## Features and Benefits

- Silver plated contacts for corrosion resistance
- Spring-return lever actuators, where applicable

## Dimensions



\* Dimensions shows for 75712-04, Dimensions may vary per part number