

Revision Control Record

Rev.	Description of Change	ECN No.	Date
A	RELEASED DRAWING	11395	10/28/11

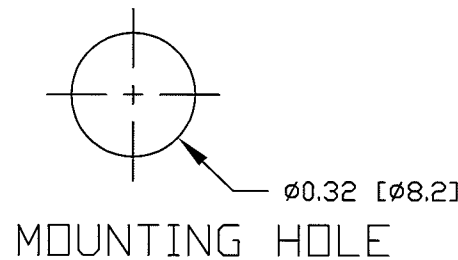
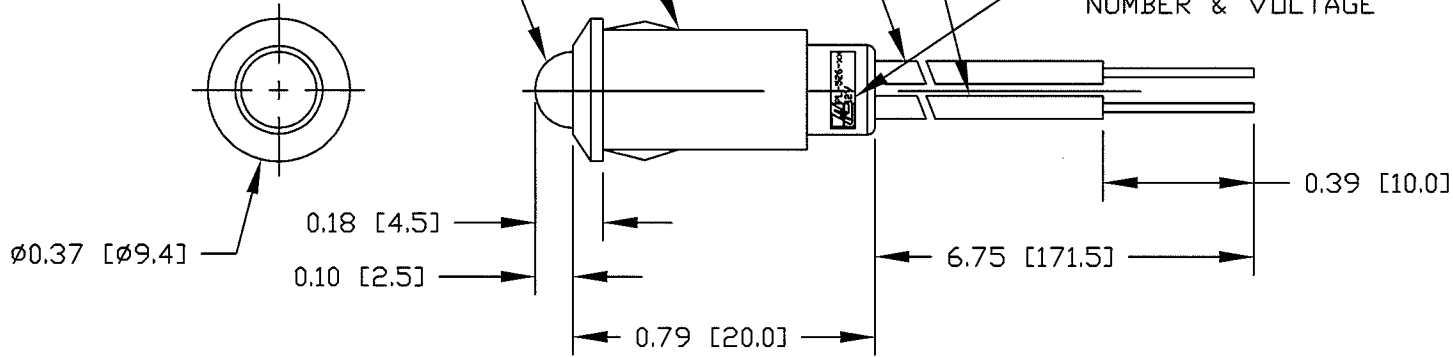
WIRE LEAD, 24 GA, [0.20 MM SQ],
PVC, YELLOW, UL-1007, NEGITIVE LEAD

WIRE LEAD, 24 GA, [0.20 MM SQ],
PVC, RED, UL-1007, POSITIVE LEAD

HOUSING, PLASTIC, BLACK

LENS, SEE CHART

LITTELFUSE LOGO, PART
NUMBER & VOLTAGE



NOTES:

1. POLARITY SENSITIVE
2. RATING: 12Vdc
3. ILLUMINATION: 500 LUX
3. BLINKING RATE: ~ 100/ MINUTE

PL-526-RC	RED
PL-526-GC	GREEN
PL-526-AC	AMBER
PT NO	LENS & LED COLOR

Tolerances Unless otherwise specifically noted, the following are default tolerances;

2-places $\pm 0.02''$ **3-places** $\pm 0.005''$ **Angular** $\pm 1'$

Metric: Shown in [] refers to equivalent English Dim Tol

"REF." or an Asterisk (*) = Non-Toleranced Reference Dimension, shown for clarification purposes only.

NOTE: All tolerances are Non-Cumulative.

PROPRIETARY INFORMATION

This Engineering Drawing, and the information contained herein, is proprietary to Cole Hersee Company and may not be disclosed, re-produced, or in any other way transferred or communicated to any other party without the express written consent of an authorized representative of Cole Hersee Company.

Special Characteristics:

- CC** Critical Characteristic, relating to Safety and/or Regulatory Compliance
- X** Significant Characteristic relating to Process Control
- KC** Control Dimension relating to Form - Fit - Function as defined by Cole Hersee Company and/or the Customer



Cole Hersee Co.

20 Old Colony Ave., South Boston, MA, 02127
Phn: 617-268-2100 Web: www.colehersee.com

Description:

**PILOT LIGHT
LED, BLINKING**

**Drawing /
Part No.:**

PL-526

Current Rev.

A

FORM CHT-6 (2/07)

Used On
or Ref.: **EX28915**

Scale: 2:1

Drawn
BY: **DPS**

Date
Drawn: 9/27/11

Pg. 1 of 1