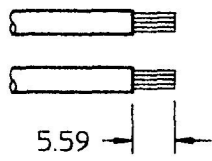


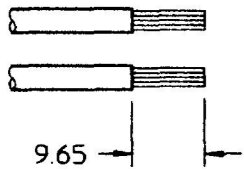
MM	IN	MM	IN
4.57	0.178	101.60	4.000
5.59	0.220	203.20	8.000
9.65	0.380	215.90	8.500
9.90	0.390	457.20	18.000
15.24	0.600	0.8mm <sup>2</sup>	18 GA
19.05	0.750	1.0mm <sup>2</sup>	16 GA
25.40	1.000	2.0mm <sup>2</sup>	14 GA
215.90	8.500		
228.60	9.000		

METRIC

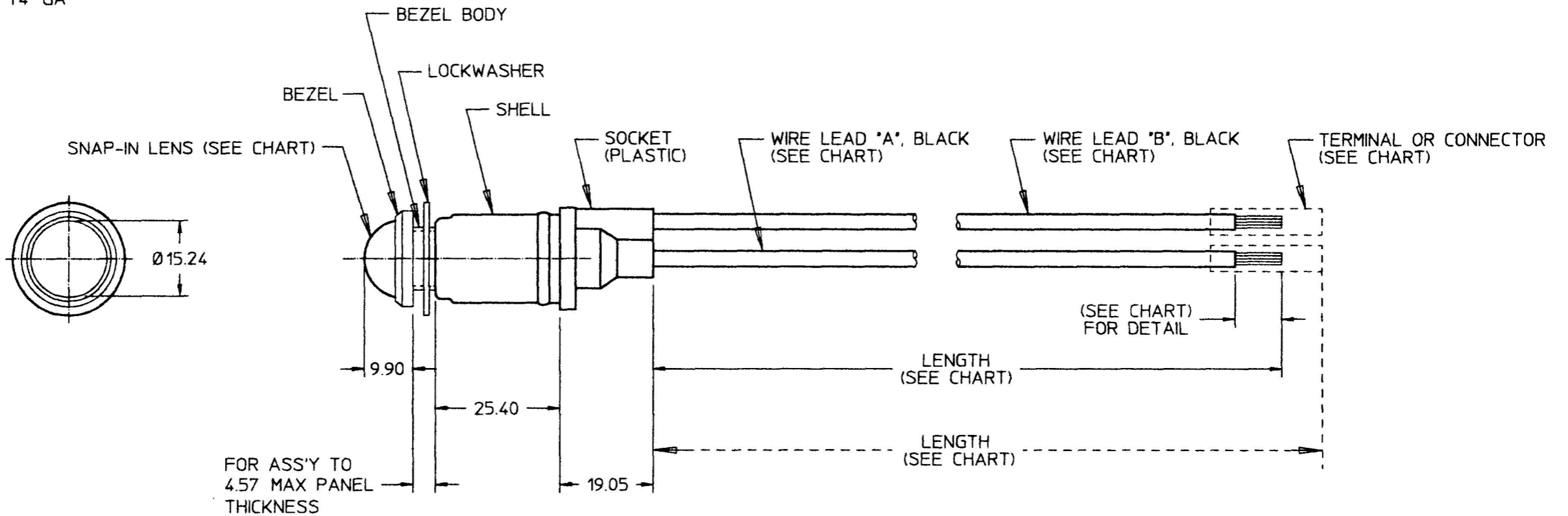
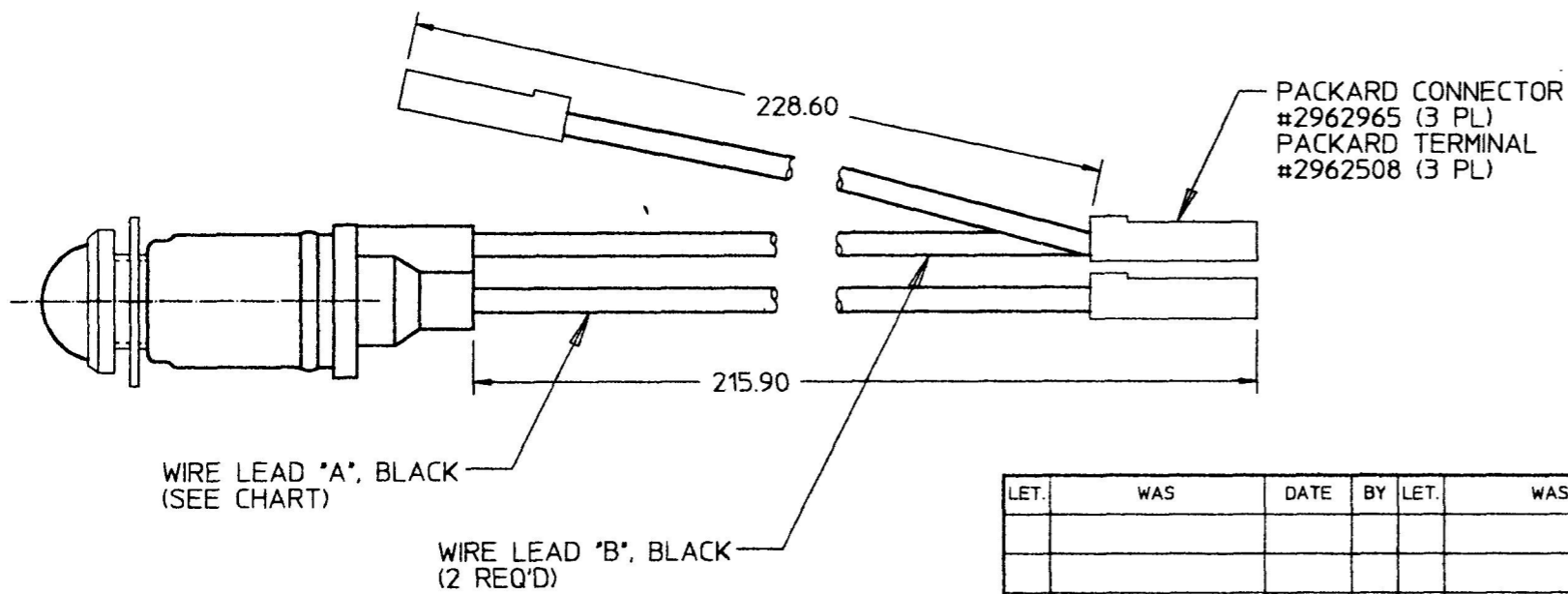
DETAIL C



DETAIL B



DETAIL A



- NOTES:  
 1. PART NO. SUFFIX LETTER DENOTES COLOR OF LENS & VOLTAGE  
 2. ALL STEEL PARTS PLATED  
 3. ALL DIMENSIONS REF. ONLY

DO NOT SCALE

LET.	WAS	DATE	BY	LET.	WAS	DATE	BY	MATERIAL	DRAWN	CHK	APVD	SCALE	DATE DRAWN
									RD	Jim		1:1	12/21/53
								FINISH	Cole Hersee Co. 20 OLD COLONY AVENUE, BOSTON, MA., U.S.A., 02127				DATE BLUEPRINTED
				P	ECN # 26459 REVISED -RA004	2/19/97	DPS	TOLERANCES DECIMAL ±					PILOT LIGHT
				N	ECN # 25935 REVISED DRAWING	5/30/95	MB	ANGLE ±					PL-36