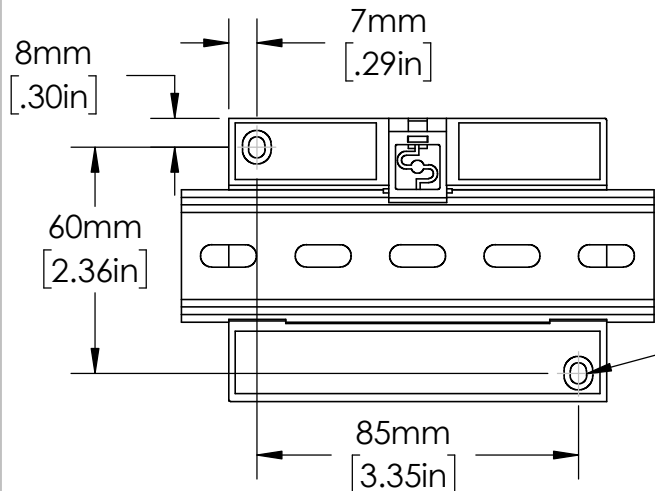
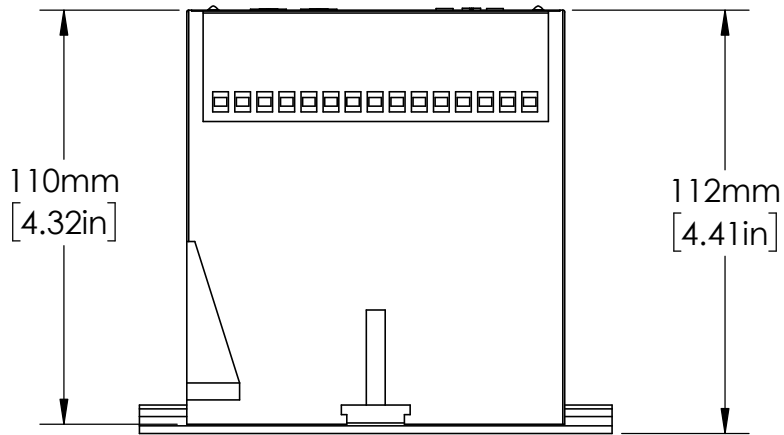


EN550022 (35.0 x 7.5mm)
DIN RAIL SHOWN



MOUNTING
HOLES
R2mm
[.09in]

UNLESS NOTED OTHERWISE
DIMENSIONS ARE IN INCHES
TOLERANCES:
TWO PLACE DECIMAL ±0.05
NOT DRAWN TO SCALE

MATERIAL	
NAME	DATE
DRAWN BY J.MOLER	11/18/22



DESCRIPTION:
GROUND FAULT PROTECTION

PART NUMBER:
PGR-6101

REV
A

WEIGHT:

SHEET 1 OF 1