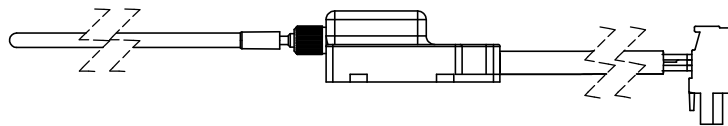
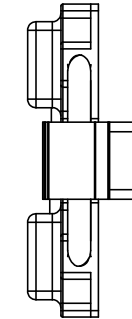
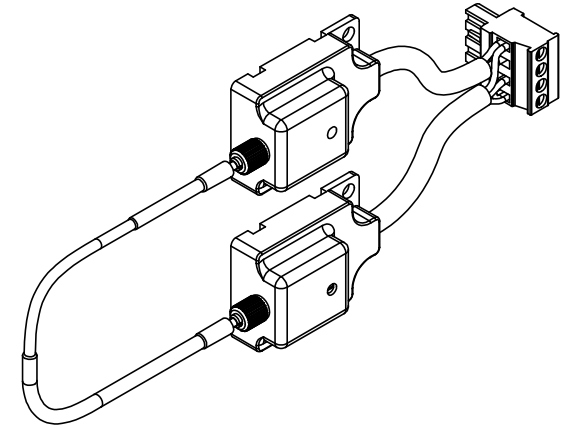
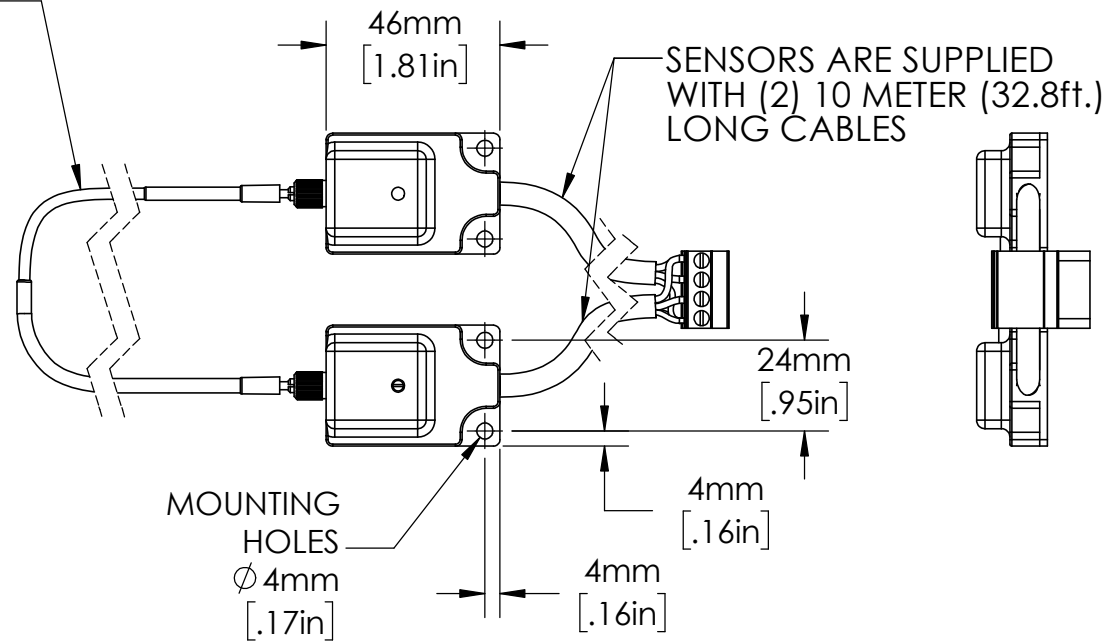
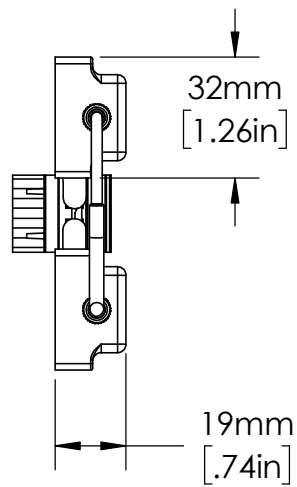


FIBER-OPTIC SENSOR  
CABLE APPROXIMATELY  
30ft. LONG INCLUDED



MOUNTING  
HOLES  
Ø 4mm  
[.17in]

UNLESS NOTED OTHERWISE  
DIMENSIONS ARE IN INCHES  
TOLERANCES:  
TWO PLACE DECIMAL ±0.05  
NOT DRAWN TO SCALE

MATERIAL	
NAME	DATE
DRAWN BY J.MOLER	03/31/23



DESCRIPTION: ARC FLASH DETECTION  
FIBER-OPTIC SENSOR  
RELAY ACCESSORY

PART NUMBER: PGA-LS20 SERIES  
REV A

WEIGHT: SHEET 1 OF 1