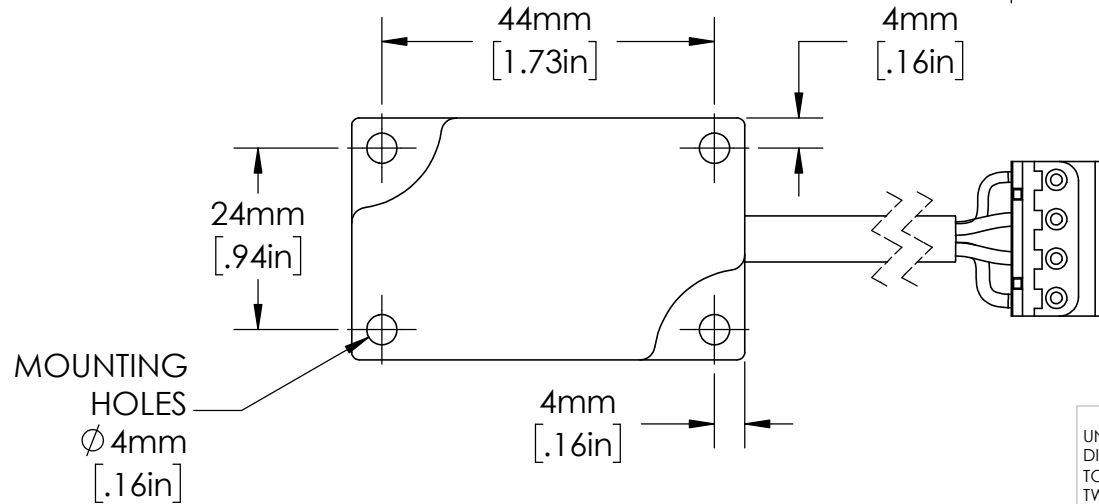
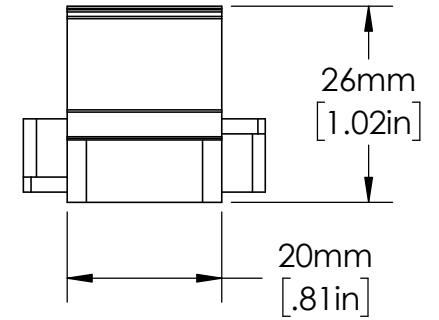
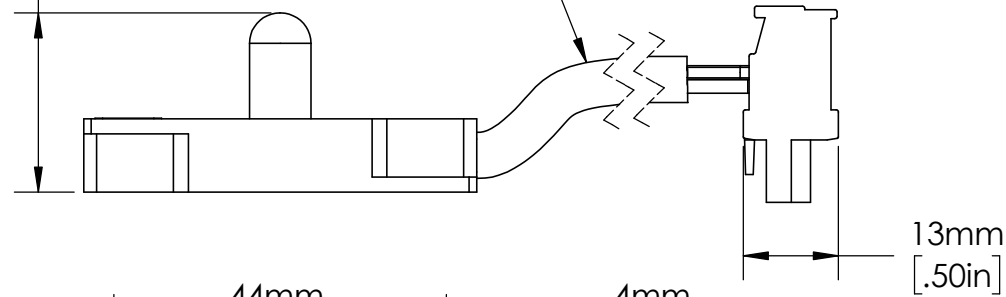
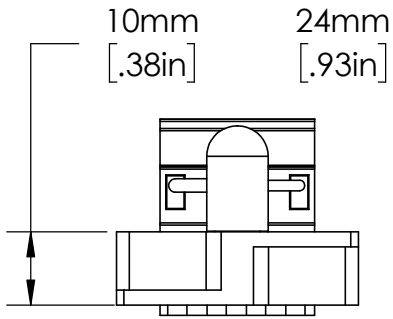


SENSOR IS SUPPLIED WITH 10 METER (32.8ft.) LONG CABLE.



UNLESS NOTED OTHERWISE  
DIMENSIONS ARE IN INCHES  
TOLERANCES:  
TWO PLACE DECIMAL ±0.05  
NOT DRAWN TO SCALE

MATERIAL	
NAME	DATE
DRAWN BY J.MOLER 03/22/23	



DESCRIPTION:  
ARC FLASH DETECTION  
POINT SENSOR RELAY ACCESSORY  
PART NUMBER: PGA-LS10  
WEIGHT: SHEET 1 OF 1

REV  
A