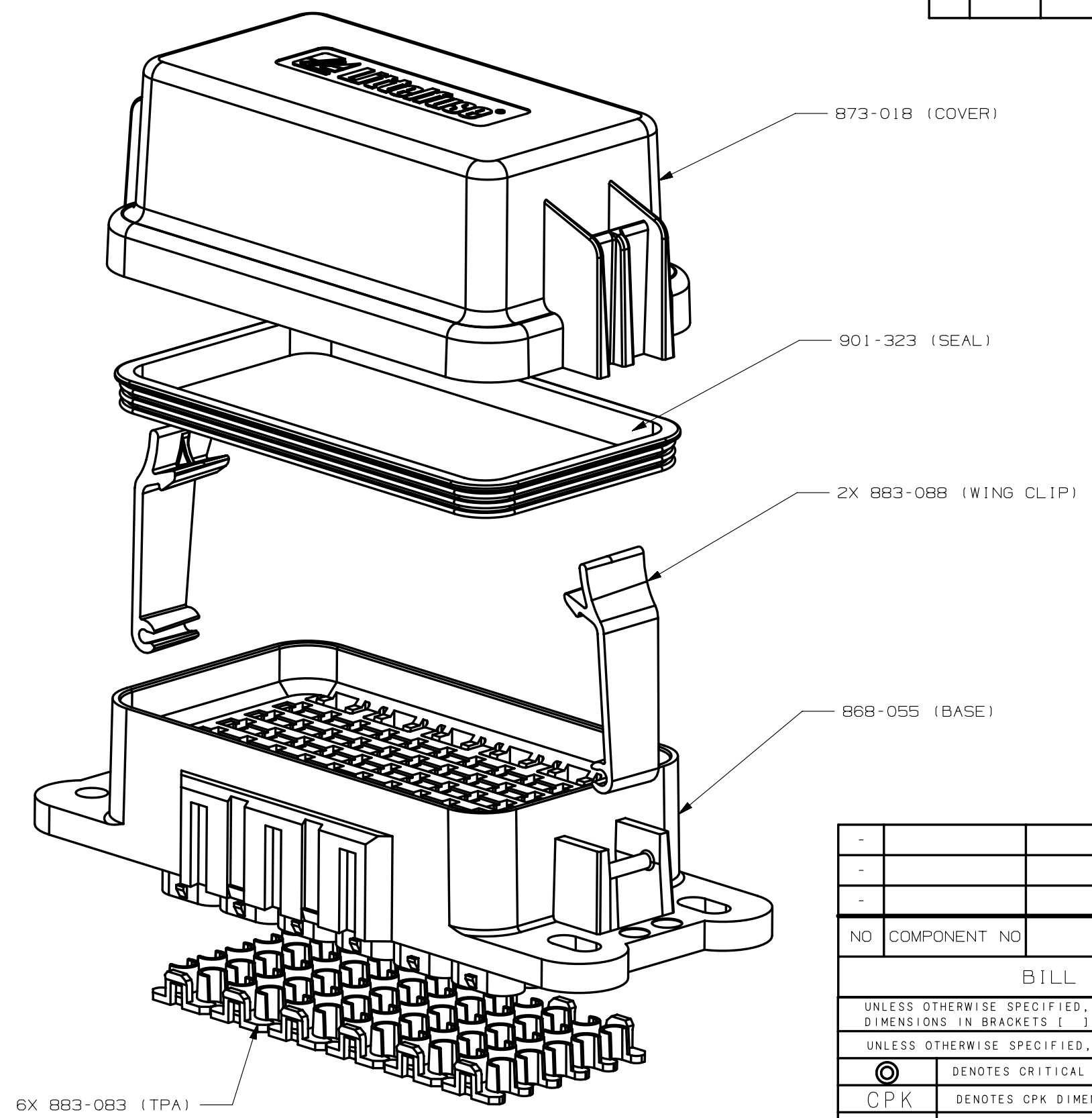


FEMALE TERMINAL FOR MINI FUSE					LTR	DATE	REVISION	CHK	APD
CABLE SIZE mm <sup>2</sup>	FEMALE TERMINAL (DELPHI 280 SEALED)	CABLE DIA	CABLE SEAL (DELPHI 280 METRI-PACK REEL/LOOSE)	COLOR	A	16/Sep/15	514994GCA-NEW RELEASE	FYUE	
0.50 - 0.35	12084201	1.70 - 1.29	12034365/15324983	DARK RED	B	24/Mar/16	515613ECA-CHANGE MOUNTING TORQUE	FYUE	
1.0 - 0.50	12077411	2.15 - 1.60	12089444/15324985	PURPLE					
2.0 - 1.0	15363933	2.85 - 2.03	12015284/15324982	GREEN					
3.0 - 2.0	12129493	3.49 - 2.81	12015359/15324980	GRAY					
5.0	12077413	4.30 - 3.45	12015360/15324981	BLUE					
		CAVITY PLUG	12010300	GREEN					



- NOTES:
- MATERIAL:  
 BASE/COVER: PA66, 30%GF, BLACK  
 TPA: PA, BLUE  
 SEAL: SILICONE RUBBER, GREEN
  - TORQUE RATING: 4-6 Nm USING M6 BOLT & LOCK WASHER.
  - FUSE RATING: 30A PER CIRCUIT.
  - OPERATING & STORAGE TEMPERATURE: -40°C TO 125°C
  - IP SEALING CLASS PER IEC60529 IP66 & IP67.
  - TERMINAL RETENTION PER USCAR 2 SECTION 5.4.1.3 USING PROPER DELPHI METRI-PACK TERMINALS (SEALED/TANGLESS).
  - TPA RETENTION PER USCAR 2 SECTION 5.4.4.4
  - MAX. CONTINUOUS CURRENT: 250A FOR ENTIRE FUSEHOLDER.

NO	COMPONENT NO	DESCRIPTION	QTY/M	U/M
BILL OF MATERIAL				
UNLESS OTHERWISE SPECIFIED, DIMENSIONS ARE IN MILLIMETERS. DIMENSIONS IN BRACKETS [ ] ARE INCHES				
UNLESS OTHERWISE SPECIFIED, DIMENSIONS DO NOT INCLUDE PLATING.				
⊙	DENOTES CRITICAL CHARACTERISTICS.			
CPK	DENOTES CPK DIMENSIONS, -MINIMUM CPK VALUE			
ST	DENOTES A CHARACTERISTIC THAT PROVIDES AN INDICATION OF PROCESS PERFORMANCE. PROCEDURE FOR MEASUREMENT AND TRACKING TO BE DEFINED IN LITTELFUSE INSPECTION INSTRUCTIONS			
CP	DENOTES CP DIMENSIONS, -MINIMUM CP VALUE MUST BE WITHIN THE DIMENSIONAL LIMITATIONS SHOWN ON DRAWING AND INITIALLY LOCATED TO ALLOW FOR MAXIMUM TOOL LIFE			
COPIES TO	MATT SPEC SEE NOTE			
1 9 18	FINISH			
2 10 19	NONE			
3 12 20	DRW	FYUE	DATE	16/Sep/15
4 13 21	SCALE	1:1		
5 14 23	CHK	DATE	SUPER DR	
6 15 33	APPD	DATE	FINSH GOOD WT	
7 16 43	GRAMS/PIECE			
8 17 53	TOLERANCES UNLESS OTHERWISE SPECIFIED (REF. ISO 2768-MH)			
DIMENSION	0.5 - 3	OVER UP TO 3	OVER UP TO 6	OVER UP TO 30
TOLERANCE	+0.1	+0.1	+0.2	+0.3
3RD ANGLE PROJECTION	TITLE			
60 WAY FUSE HOLDER				
METRIC ASSEMBLY		Littelfuse		REVISION
				DRWG. NO.
				PDM71003ZXM
				OUTLINE
				DES PLAINES, ILLINOIS 60016

METRIC ASSEMBLY

Littelfuse  
DES PLAINES, ILLINOIS 60016

REVISION B  
DRWG. NO. PDM71003ZXM  
OUTLINE

CAD GENERATED DRAWING - NO PENCIL CHANGES ALLOWED