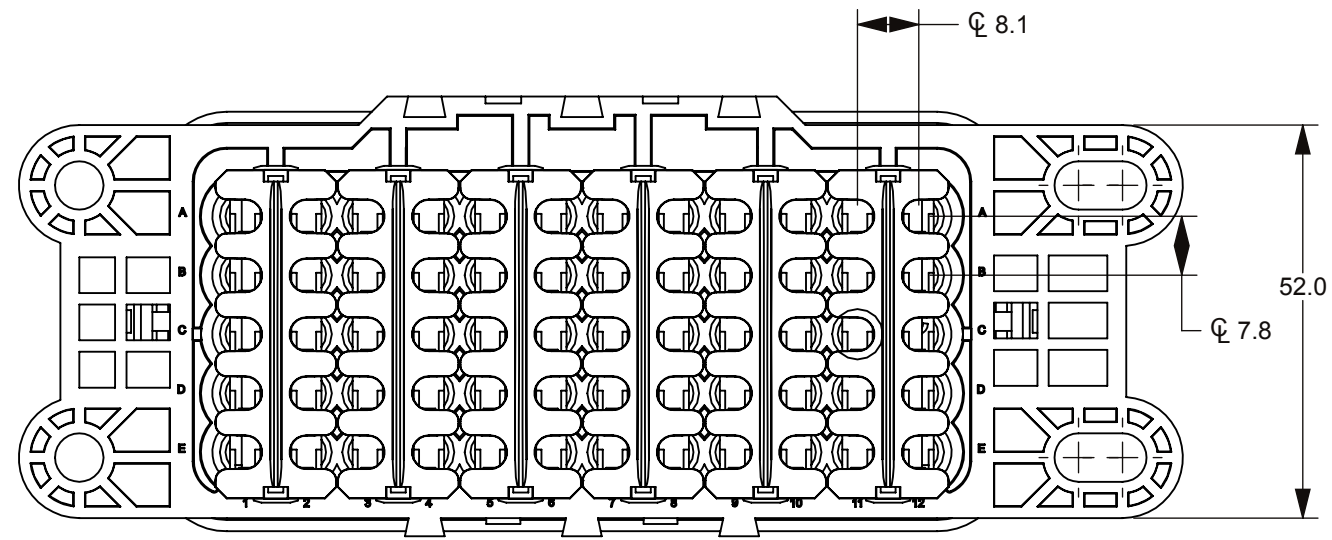
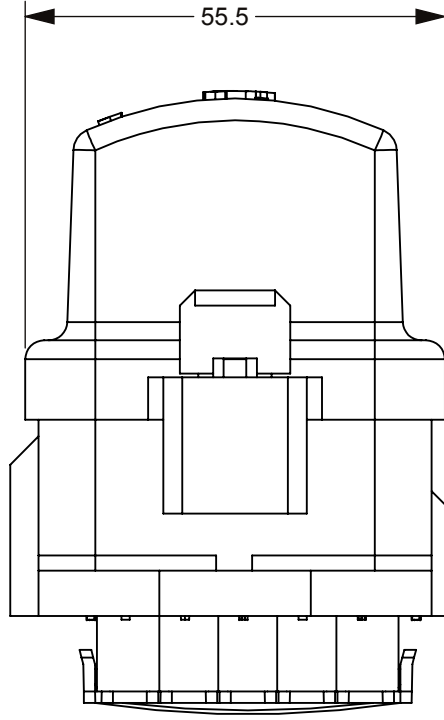
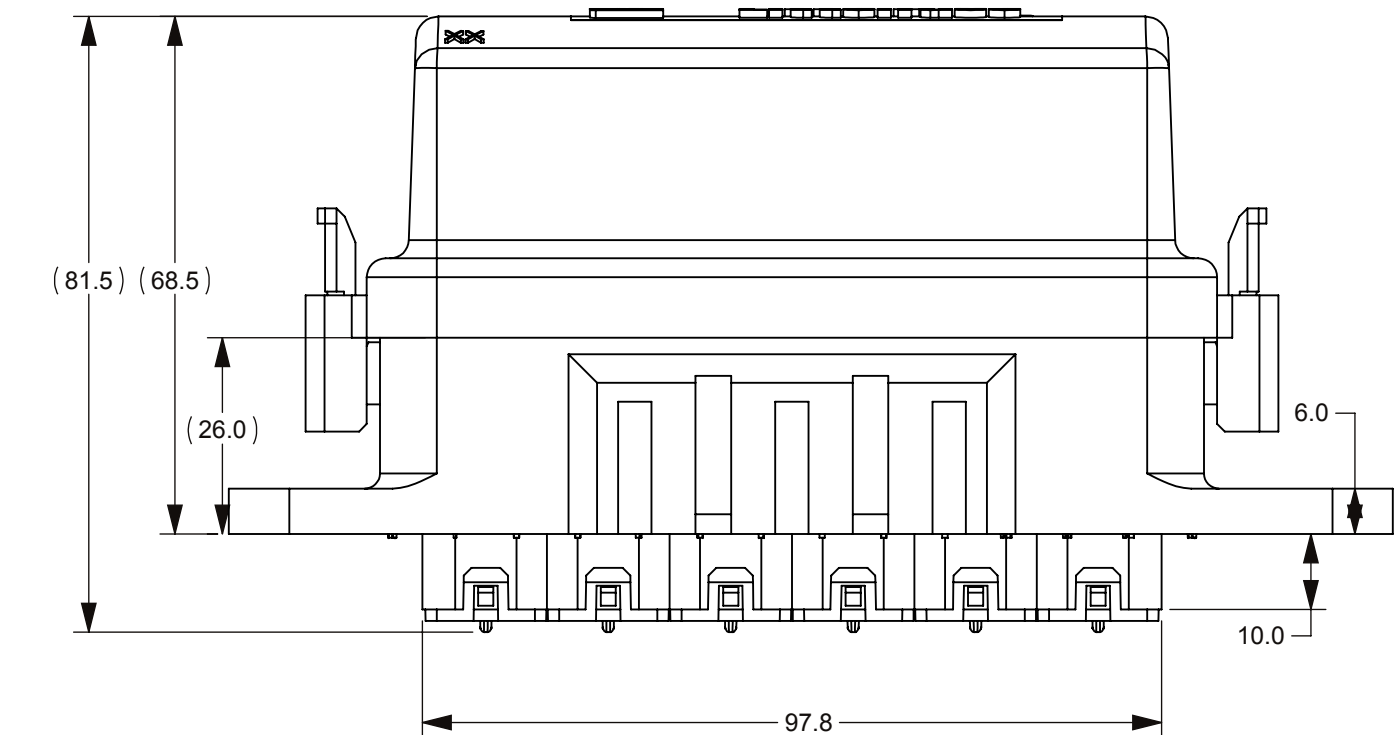
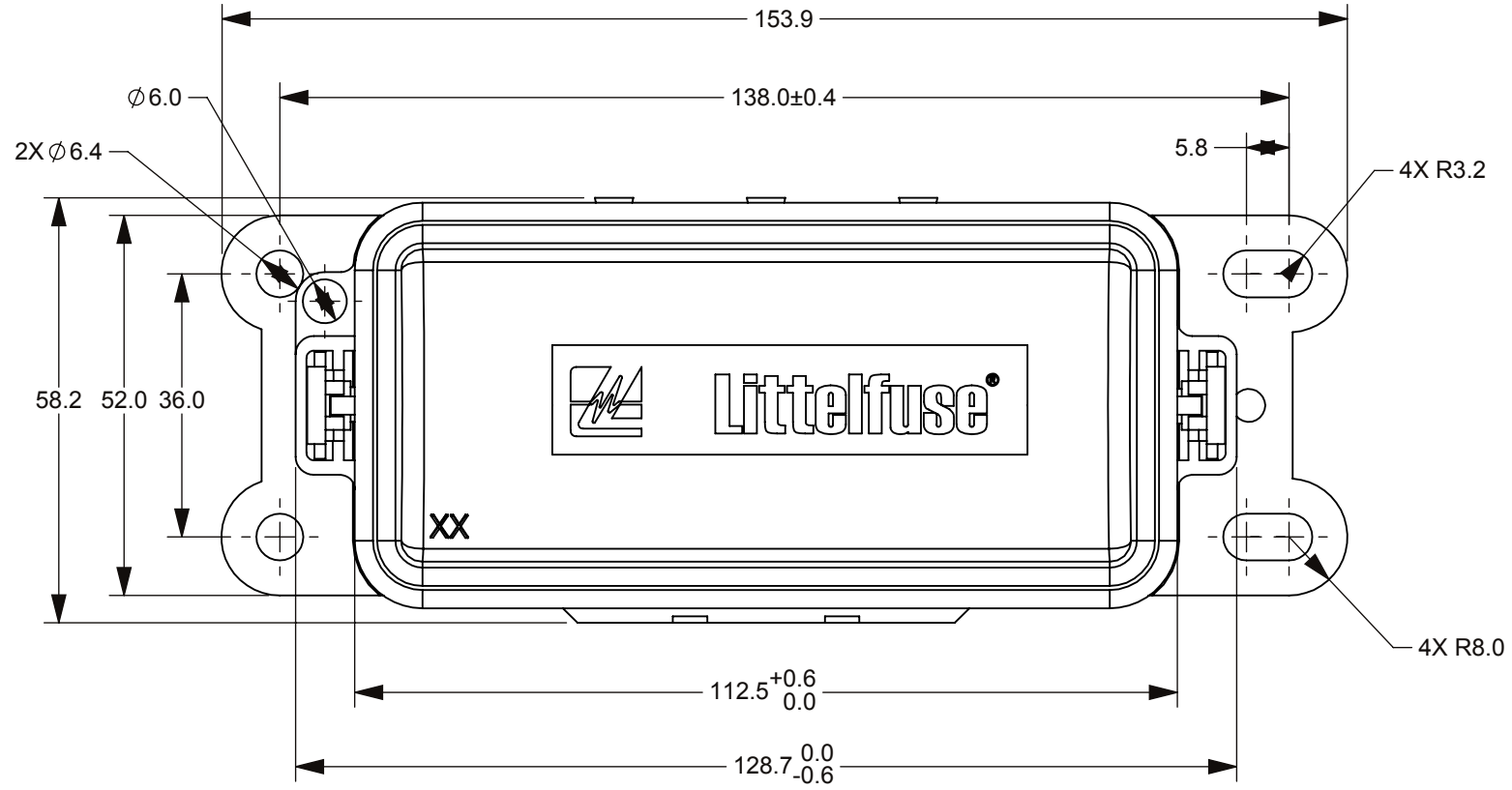


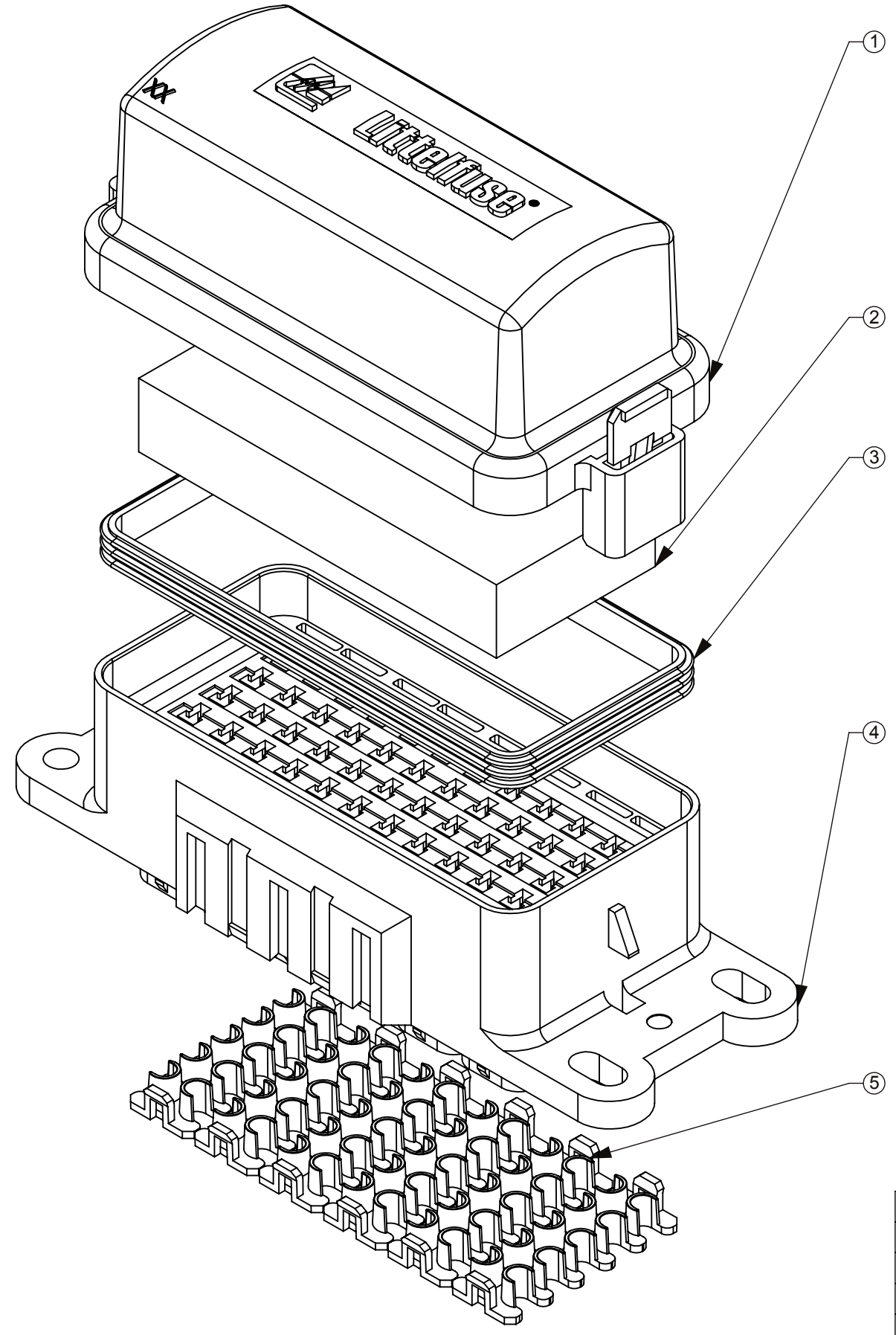
THIS DRAWING AND THE INFORMATION CONTAINED WITHIN IT ARE CONFIDENTIAL AND MAY NOT BE COPIED OR DISCLOSED WITHOUT THE WRITTEN PERMISSION OF LITTELFUSE.



- NOTES:**
- MATERIAL:  
 BASE/COVER: PA66 30% GF, BLACK  
 TPA: PA, BLUE  
 SEAL: SILICONE RUBBER, GREEN  
 FOAM: SILICONE RUBBER, RUST RED
  - TORQUE RATING (ON FLAT SURFACE): 6-8 Nm USING M6 BOLT & LOCK WASHER.
  - FUSE RATING: 30A PER CIRCUIT.
  - IP SEALING CLASS PER IEC60529 IP66 & IP67.
  - TERMINAL RETENTION PER USCAR 2 SECTION 5.4.1.3 USING PROPER DELPHI METRI-PACK TERMINALS (SEALED/TANGLESS);
  - TPA RETENTION PER USCAR 2 SECTION 5.4.5.4
  - MAX CONTINUOUS CURRENT: 250A FOR ENTIRE FUSEHOLDER.
  - FOAM IS PRESSED INTO BOTTOM OF COVER.
  - ADD SILVER/WHITE 'XX' MARK ON COVER CORNER.

FEMALE TERMINAL FOR MINI FUSE				
CABLE SIZE mm <sup>2</sup>	FEMALE TERMINAL (DELPHI 280 SEAL)	CABLE DIAMETER	CABLE SEAL (DELPHI 280 METRI-PACK REEL/LOOSE)	COLOR
0.50 - 0.35	12084201	1.70 - 1.29	12034365 / 15324983	DARK RED
1.0 - 0.50	12077411	2.15 - 1.60	12089444 / 15324985	PURPLE
3.0 - 2.0	12129493	2.42 - 2.03	12041352 / 15324984	TAN
2.0 - 1.0	15363933	2.85 - 2.03	12015284 / 15324982	GREEN
3.0 - 2.0	12129493	3.49 - 2.81	12015359 / 15324980	GRAY
5.0	12077413	4.30 - 3.45	12015360 / 15324981	BLUE
		CAVITY PLUG	12010300	GREEN

REVISIONS				
ZONE	REV.	DESCRIPTION	DATE	APPROVED
	A	508048ERA - NEW RELEASE	FYUE 11/APR/2013	
	B	508297ECA - UPDATE TOLERANCE BASE ON ACTUAL PART	FYUE 21/MAY/2013	
	C	508647ECA - SEE ECO	FYUE 24/JUN/2013	
	C	ECO 520021 - UPDATE DIMENSIONS TO MATCH MATAMOROS LITTELFUSE MOLDING PROCESS - 153.9MM (WAS 154.5), 58.2MM (WAS 58.4), 68.5MM (WAS 68.4), 81.5MM (WAS 81.4). ADD DIA 6.0MM, ADD FEMALE TERMINAL PART NO. REMOVE OPERATION & STORAGE TEMPERATURE (WAS 40°C TO 125°C), REDRAWN CAD IN SOLIDWORKS USING NEW CVP DRAWING FORMAT & TOLERANCE	26/OCT/2018	A JOZWIAK



NO.	COMPONENT NO.	COMPONENT NAME	QTY	U/M
1	873-029	COVER	1	EA
2	901-319	FOAM	1	EA
3	901-315	SEAL	1	EA
4	868-163	BASE	1	EA
5	883-083	TPA	6	EA

DIMENSIONS ARE SHOWN IN MILLIMETERS. DIMENSIONS AND TOLERANCES ARE DEFINED ACCORDING TO ANSI/ASME Y14.5-1994.

● FIT FUNCTION CRITICAL CHARACTERISTICS SYMBOL  
 <S> SAFETY/ COMPLIANCE CRITICAL CHARACTERISTICS SYMBOL  
 CPK DENOTES CPK DIMENSIONS MINIMUM CPK VALUE  
 (ST) DENOTES A CHARACTERISTIC THAT PROVIDES AN INDICATION OF PROCESS PERFORMANCE PROCEDURE FOR MEASUREMENT AND TRACKING TO BE DEFINED IN LITTELFUSE INSPECTION INSTRUCTIONS  
 CP DENOTES CP DIMENSIONS - MINIMUM CP VALUE MUST BE WITHIN THE DIMENSIONAL LIMITATIONS SHOWN ON DRAWING AND INITIALLY LOCATED TO ALLOW FOR MAXIMUM TOOL LIFE

DIMENSION: MM TOLERANCES UNLESS OTHERWISE SPECIFIED  
 ONE PLACE DECIMAL ± 0.5 THREE PLACES DECIMAL ± 0.100  
 TWO PLACES DECIMAL ± 0.20 ANGULAR ± 2°

NAME	DATE
DRAWN FYUE	11/APR/2013
CHECKED	

**Littelfuse**  
 Expertise Applied | Answers Delivered

FORM NO: CVP-PE40-0006 REV A  
 THIRD ANGLE PROJECTION

**TITLE**  
 60 WAY FUSE HOLDER (NAVISTAR)

SCALE: 1:1 DWG. NO. OL-PDM21002LXM OUTLINE REV. D  
 DO NOT SCALE DRAWING SHEET 1 OF 1