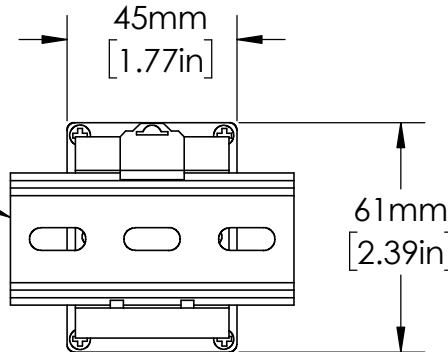


OT08PC
RELAY SOCKET

35mm
DIN RAIL



UNLESS NOTED OTHERWISE
DIMENSIONS ARE IN INCHES
TOLERANCES:
TWO PLACE DECIMAL ±0.05
NOT DRAWN TO SCALE

MATERIAL	
NAME	DATE
DRAWN BY J.MOLER 01/04/23	



DESCRIPTION:
PUMP & LIQUID LEVEL CONTROL

PART NUMBER:
PC-XXX-LLC-XX SERIES

WEIGHT: SHEET 1 OF 1

REV
A