

PC-102 SERIES

Dual Seal-Leak Detector or Seal-Leak & Over-Temperature Detector



Description

The PC-102 is a dual-channel switch that provides dual protection against seal failures and over-temperature in submersible pumping applications.

Both units have two form-C isolated output relays and two LEDs, which illuminate when each associated output relay is energized.

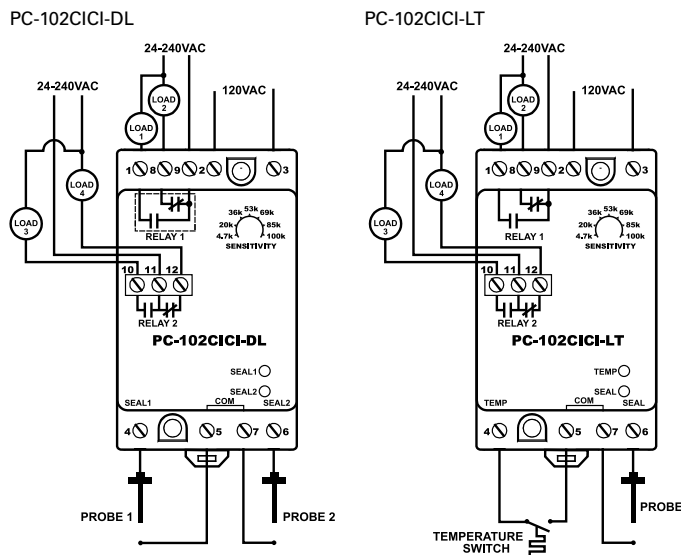
The sensitivity adjustment (4.7k-100kOhms) allows you to define the input impedance at which the output relays will change state. The sensitivity for the over-temperature detector can be set to 4k Ohms with use of the DIP switches.

This unit may not be compatible with Flygt pumps.

Features & Benefits

FEATURES	BENEFITS
Finger-safe terminals	Meets IEC 61000 safety requirements
Compact design for DIN rail or surface mount	Allows flexibility in panel installation
LED Status Indicator	Visual indication of relay engagement
Two input channels	Flexibility for pump-up/pump-down or two-channel switch applications

Wiring Diagram



Ordering Information

MODEL	LINE VOLTAGE	DESCRIPTION
PC-102CICI-DL	120VAC nominal	Dual seal-leak detector uses inputs to sense seal failures and energize the output relay. Input logic direct or inverted is DIP switch selectable
PC-102CICI-LT	120VAC nominal	Seal-leak and over-temperature detector uses one input to sense seal failures and the temperature input to detect motor overheating. Configurable to suit various probes. Seal input logic direct or inverted, plus over-temperature trip reset automatic or manual, is DIP switch selectable

Specifications

Input Characteristics	
Frequency	50/60Hz
Functional Characteristics	
Probe Sense Voltage	5vdc pulsed
Sensitivity	4.7k-100kΩ
Sensitivity (for temp)	Selectable 4kΩ with DIP switches
Input Logic	Direct or inverted
Debounce Time Delay	0.5 or 2 seconds
Output Characteristics	
Relay Output Rating (2 Form C isolated)	
Pilot Duty	180VA @ 120VAC, C150
General Purpose	5A @ 240VAC
General Characteristics	
Temperature Range	-20° to 55°C (-4° to 131°F)
Maximum Input Power	2 W
Depluggable Connector	Phoenix Contact-Series MSTB plugs
Output Relay	
Status Indicators	LEDs
Terminal Torque	4.5 in.-lbs.
Wire range	12-20 AWG
Standards Passed	
Electrostatic Discharge (ESD)	IEC 61000-4-2, Level 3, 6kV contact, 8kV air.
Radio Frequency Immunity (RFI)	IEC 61000-4-3, Level 3, 10V/m
Fast Transients	IEC 61000-4-4, Level 3, 4kV input power 2kV inputs/outputs
Safety Marks	
UL	UL508 (File #E68520)
Dimensions	H 88.9 mm (3.5"); W 52.93 mm (2.08"); D 59.69 mm (2.35")
Weight	0.9 lb. (14.4 oz., 408.23 g)
Mounting Method	35mm DIN rail or Surface Mount (#6 or #8 screws)