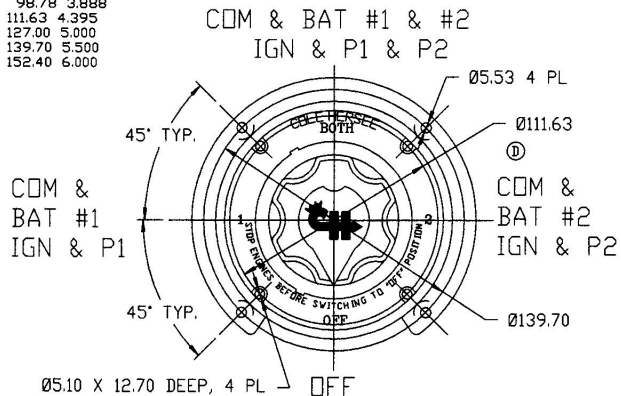
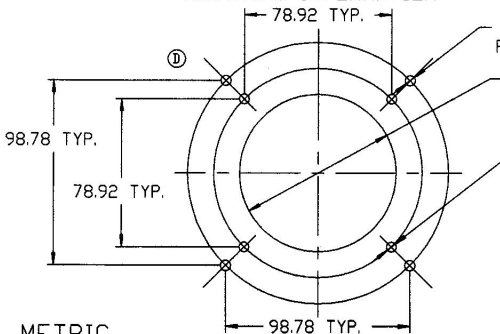


MM	IN
3.17	0.125
5.10	0.201
5.53	0.218
12.45	0.490
12.70	0.500
16.51	0.650
17.78	0.700
38.35	1.510
78.92	3.107
80.26	3.160
84.12	3.312
98.78	3.888
111.63	4.395
127.00	5.000
139.70	5.500
152.40	6.000



MOUNTING INFORMATION

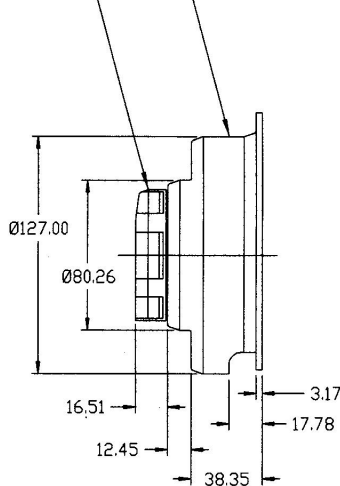


SURFACE MOUNTING HOLES Ø5.53 CLEARANCE FOR #10 SCREW 4 PL

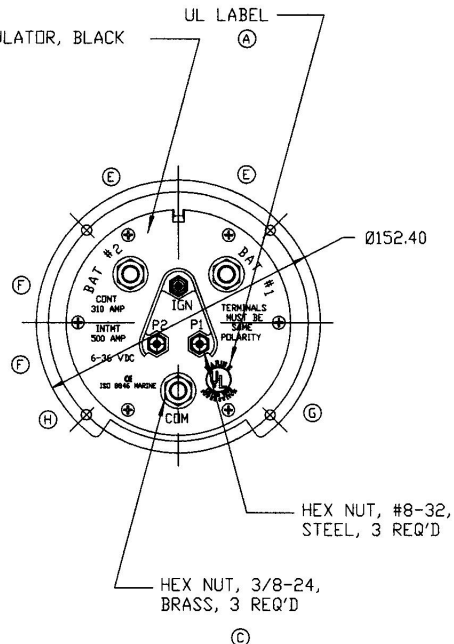
CLEARANCE HOLE FOR PANEL MOUNT Ø84.12

PANEL MOUNTING HOLES Ø5.10 X 12.70 DEEP FOR 1/4" THREAD CUTTING SCREW 4PL

HOUSING, BLACK
KNOB, BLACK



TERMINAL INSULATOR, BLACK



Confidential Property of Cole Hersee

DO NOT SCALE

LET.	VAS	DATE	BY	LET.	VAS	DATE	BY	MATERIAL	DRAWN	CHK	APVD	SCALE	W750 WITH PILOT LIGHT CKTS/ EX23169D	DATE DRAWN
J	EDN 8484	7/7/98	DPS	D	EDN 8458B ADDED MOUNTING DIMS	4/24/99	RD		DPS			1/2		5/9/99
H	EDN 8458C ADDED CE IMPRINT	12/29/97	JMP	C	BRASS, EDN 8485E	1/9/98	RD	FINISH						DATE BLUEPRINTED
G	EDN 8458B ADDED UL LABEL	5/5/98	RD	B	EDN 8485A	11/15/99	JP							
F	EDN 8448M	8/1/98	RD	A	RELOCATED UL LABEL EDN 8476A	9/18/99	DPS	TOLERANCES DECIMAL ± ANGLE ±						
E	EDN 8447F RELETED STYL LOCATORS	7/28/98	RD		ISSUED									

CH Cole Hersee Co.
20 OLD COLONY AVENUE, BOSTON, MA, U.S.A. 02127
SW BAT SELECTOR WITH PILOT LIGHT CIRCUIT

METRIC