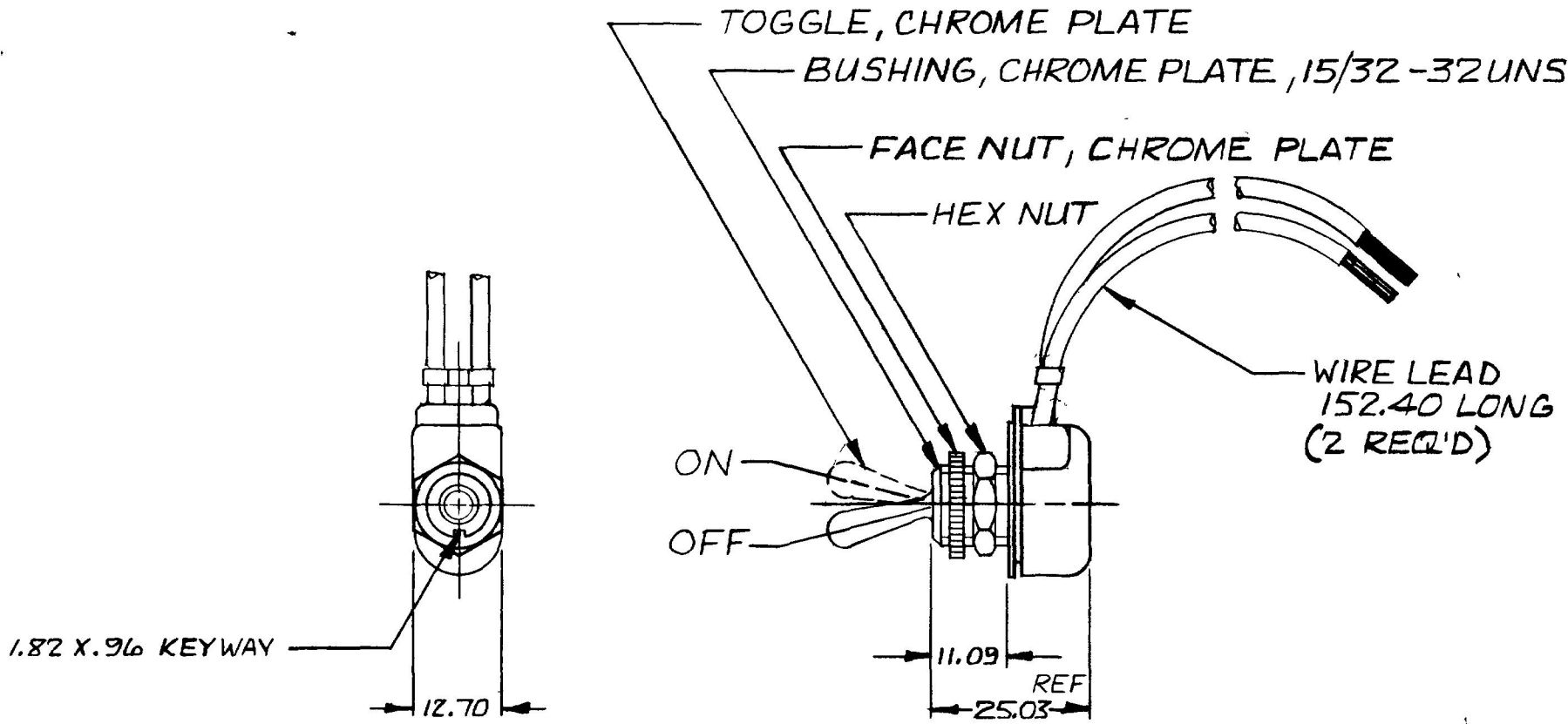


MM IN

.25	.010
.96	.038
1.82	.072
11.09	.437
12.70	.500
25.03	1.025
152.40	6.000

M 584



METRIC

DO NOT SCALE

LET	WAS	DATE	BY	LET	WAS	DATE	BY	MATERIAL	DRAWN	CHECKED	APPRV D	SCALE	DATE DRAWN
								H	EA	DPS 8-19-82		1:1	11-27-56
								FINISH	 Cole Hersee Co. <small>20 OLD COLONY AVENUE SOUTH BOSTON MA U.S.A. 02127</small>				DATE BLUEPRINT
								TOLERANCES					TOGGLE SWITCH
				B	REV REDRAWN	21749	8-9-82	(R)	DECIMAL ±				
									METRIC ±				

CH-188(4-78)