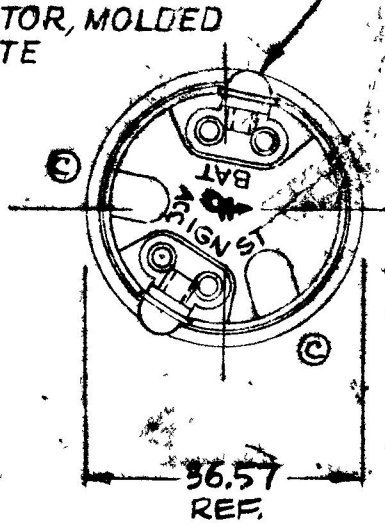
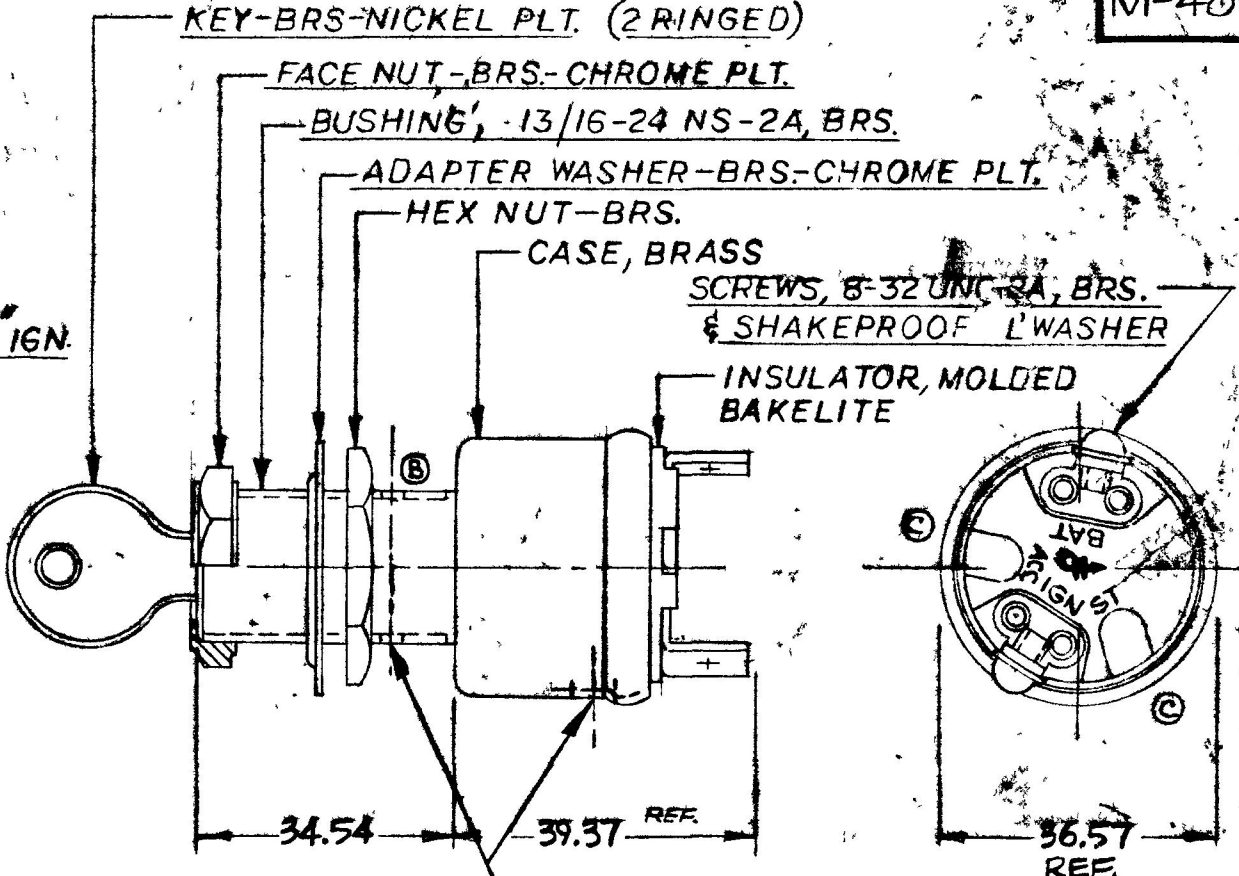
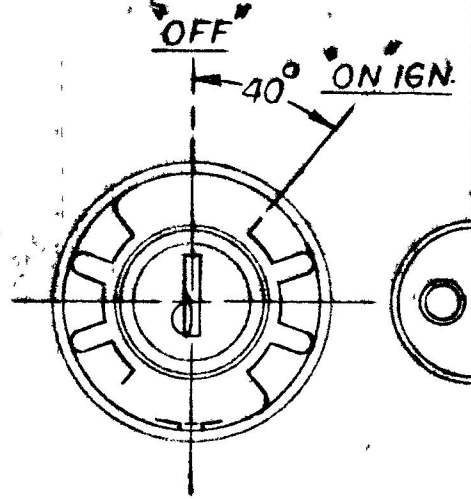


M-489-03

KEY-BRS-NICKEL PLT. (2 RINGED)
 FACE NUT, -BRS.-CHROME PLT.
 BUSHING, -13/16-24 NS-2A, BRS.
 ADAPTER WASHER-BRS-CHROME PLT.
 HEX NUT-BRS.
 CASE, BRASS
 SCREWS, 8-32 UNC-2A, BRS.
 & SHAKEPROOF L'WASHER



Ⓐ DRAIN HOLE
 3 PLACES

NOTE:
 1. O'RING SEAL IN BUSHING
 2. SHUTTER TYPE SEAL ON LOCK FACE
 3. TUMBLER & KEYS RINGED, SUPPLIED IN 10 KEY CODES

METRIC

APPLICABLE SAE STANDARD OR
 RECOMMENDED PRACTICE SAE J259

DO NOT SCALE

LET	WAS	DATE	BY	LET	WAS	DATE	BY	MATERIAL	DRAWN	CHECKED	APPR'D	SCALE	BASIC W/M-6110-01 CONSTRUCTION	DATE DRAWN
								—	KG	10-6-76		1=1		10-4-76
				C	ECN 23394	2-2-87	1/2	FINISH	COLE-HERSEE COMPANY BOSTON, MASS. 02127, U.S.A.					DATE BLUEPRINT
				B	ALL L'NUTS / HOLE / 22681	2-28-85	AK	—						
				A	REV. 216110	1-29-72	1/2	TOLERANCES	IGNITION SWITCH					M-489-03
					ISSUED	10-6-76	1/2	FRACTIONAL ±						
								DECIMAL ±.25						

COLE-HERSEE CO
 NPM 10-5-76
 EX-17081

34.54 1.360
 36.57 1.440
 39.57 1.550