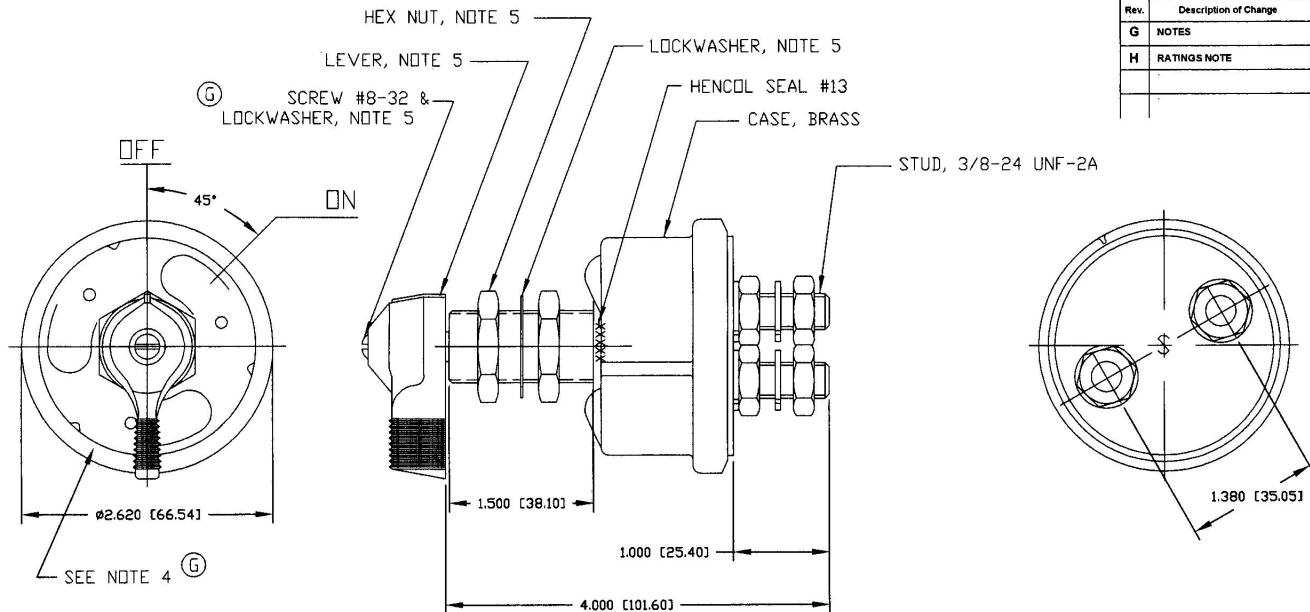


## Revision Control Record

Rev.	Description of Change	ECN No.	Date
G	NOTES	03016	1/15/03
H	RATINGS NOTE	05225	06/18/05



## NOTES:

- SILVERED CONTACTS
- O-RING SEALED AT MOUNTING STEM
- GASKET SEALED AT TERMINAL INSULATOR
- PART NUMBER (M284-02) TO BE STAMPED AT RANDOM
- PARTS MAY BE ASSEMBLED OR SUPPLIED IN A PLASTIC BAG
- RATING:  
CONTINUOUS RATING  
175 AMP 6-12-24-36 VOLT DC  
INTERMITTENT RATING  
(H) 1000 AMP 6-12-24-36 VOLT DC  
15 SEC ON 5 MIN OFF

<b>Tolerances.</b> Unless otherwise specifically noted, the following are default tolerances: <ul style="list-style-type: none"> <li>• Finish Decimal Dimensions: <math>\pm .02"</math></li> <li>• Spline Decimal Dimensions: <math>\pm .005"</math></li> <li>• Spline Dimensions: <math>\pm .0100"</math></li> <li>• Metric: Refer to equivalent English Dimension Tolerance</li> </ul> <b>NOTE:</b> All tolerances are Non-Conservative.
<b>Dimensional Units.</b> All dimensions are expressed in inches except those shown in brackets (mm) are expressed in millimeters.
<b>SEE "AS APPLIED" = Non-Toleranced Reference Dimension, when for clarification purposes only.</b>
Used On or Ref:
Scale: <b>1:1</b>

<b>PROPRIETARY INFORMATION.</b> This Engineering Drawing, and the information contained herein, is proprietary to Cole Hersee Company and may not be disclosed, reproduced, or in any other way transferred or communicated to any other party without the express written consent of an authorized representative of Cole Hersee Company.
<b>DESIGN CONTROL.</b> It is the responsibility of the individual using/referencing this drawing to ensure that the latest design revision (not agreed with the revision level of the Controlled Document Master Drawing). This is a NON-CONTROLLED DOCUMENT unless otherwise specifically noted.
<b>DO NOT SCALE.</b> Dimensional values may occur during printing/reproduction.
Drawn By: <b>RC</b>
Date Drawn: <b>11/4/80</b>

<b>Special Characteristics.</b>
<ul style="list-style-type: none"> <li>⊕ Critical Characteristics, relating to Safety and/or Regulatory Compliance</li> <li>⊗ Significant Characteristics relating to Process Control (SPC)</li> <li>⊙ Control Dimension relating to Form - Fit - Function as defined by Cole Hersee Company and/or the Customer</li> </ul> (Note that the Identification of any Characteristics as being "Special" does not alter the requirement that ALL specified dimensions & tolerances must be met.)
Responsible Engineer:
<b>Pg. 1</b>

<b>Cole Hersee Co.</b>	
20 Old Colony Ave., South Boston, MA, 02127 Phn: 617-268-2100 Web: www.colehersee.com	
<b>Description:</b> SWITCH, MASTER DISCONNECT	
Drawing/ Part No.:	<b>M-284-02</b>
Current Rev.:	<b>H</b>