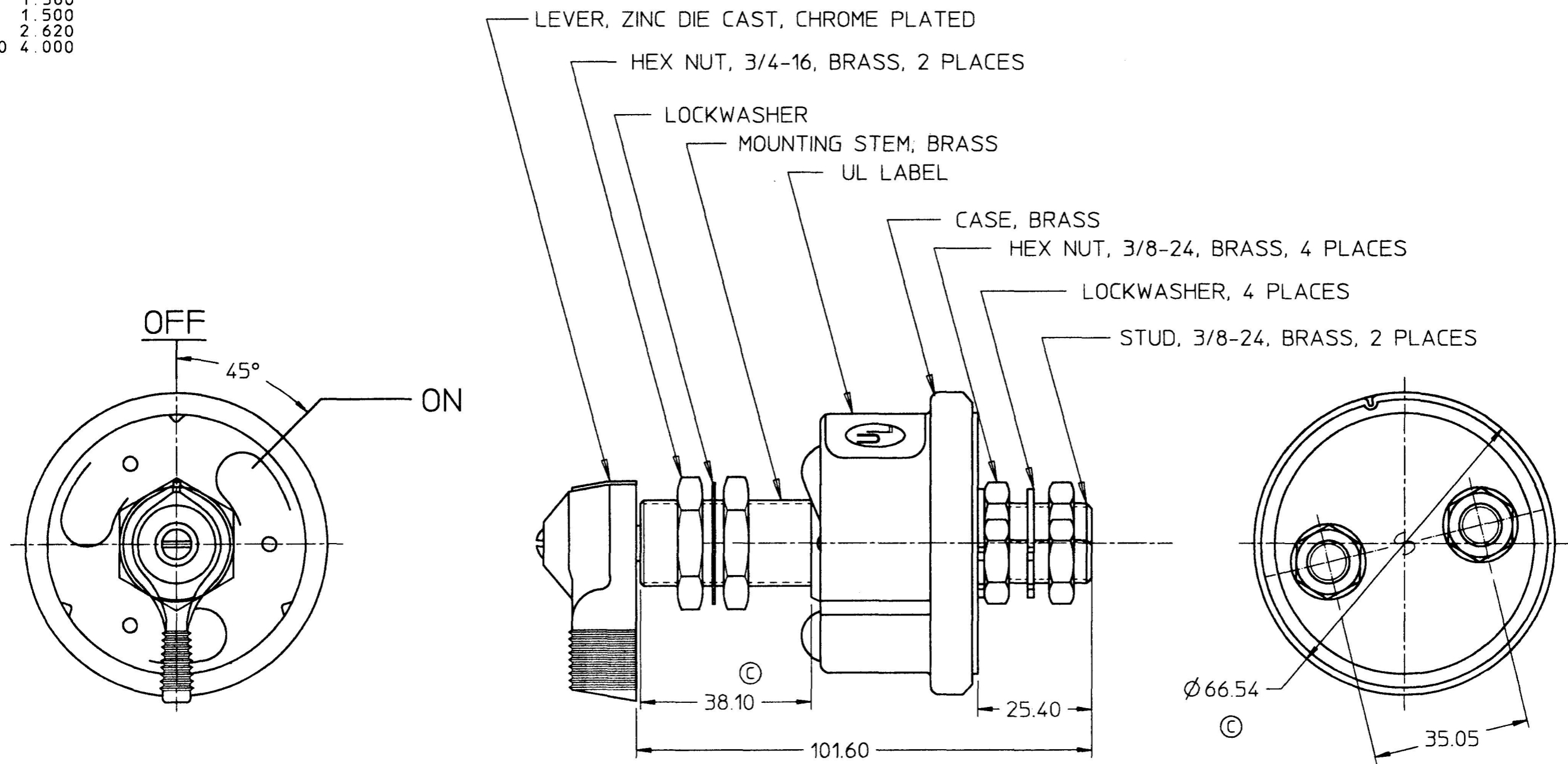


MM	IN
25.40	1.000
35.05	1.380
38.10	1.500
66.54	2.620
101.60	4.000



- NOTES:
1. SILVER LAMINATED CONTACT SURFACES
  2. CONTINUOUS RATING:  
175 AMPS 6-12-24-36 VOLTS DC  
INTERMITTENT RATING:  
800 AMPS 6-12-24-36 VOLTS DC  
15 SECONDS ON, 5 MINUTES OFF
  3. ALL DIMENSIONS REFERENCE ONLY
  4. ALL STEEL PARTS PLATED
  5. IGNITION PROTECTED

DO NOT SCALE

LET.	WAS	DATE	BY	LET.	WAS	DATE	BY	MATERIAL	DRAWN	CHK	APVD	SCALE	DATE DRAWN
									JAV	AF		1:1	2/8/79
								FINISH	Cole Hersee Co. 20 OLD COLONY AVENUE, BOSTON, MA., U.S.A., 02127				DATE BLUEPRINTED
				C	PUT ON CAD ECN 26179	5/14/96	DPS	TOLERANCES DECIMAL ± ANGLE ±					SWITCH, MASTER DISCONNECT
					ISSUED	8/16/79	PY						

METRIC