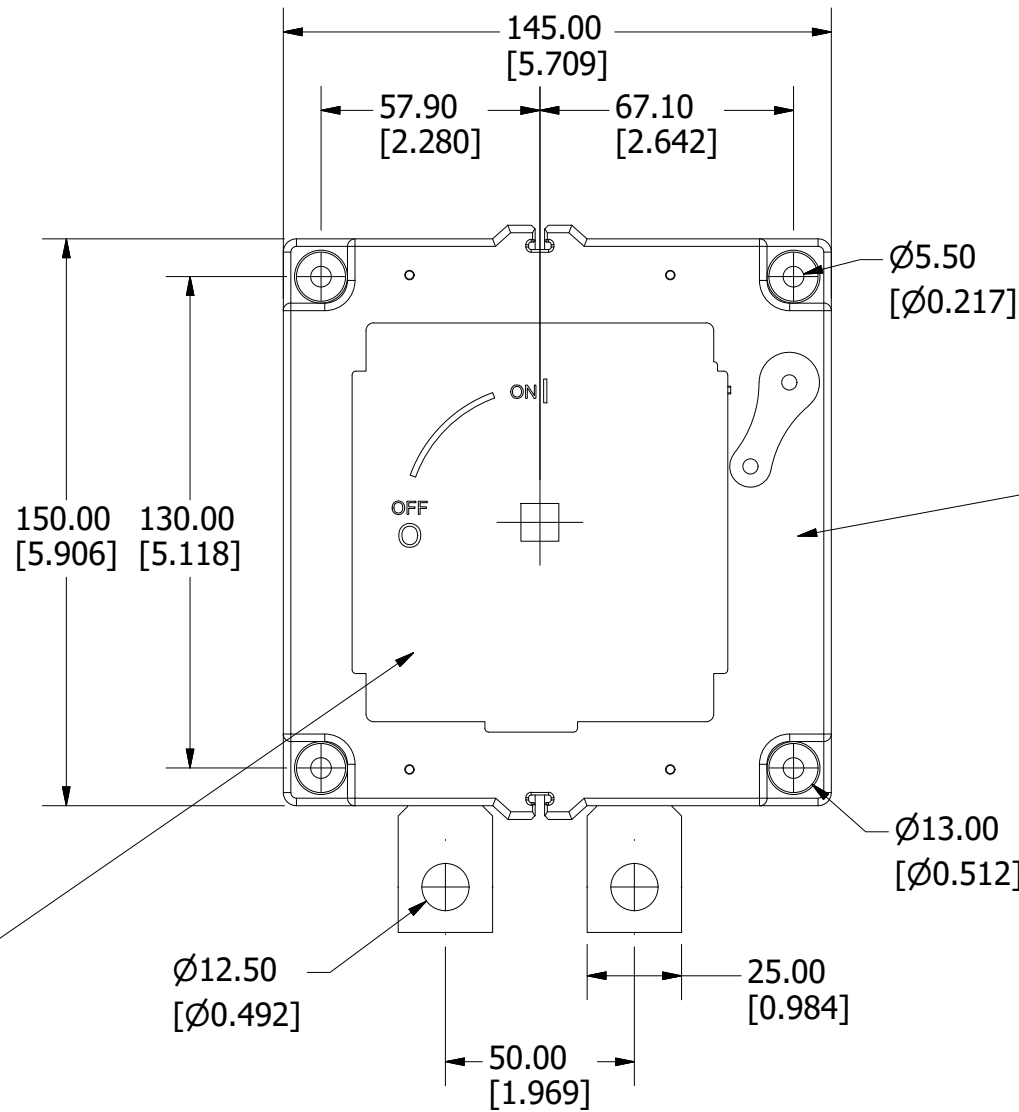
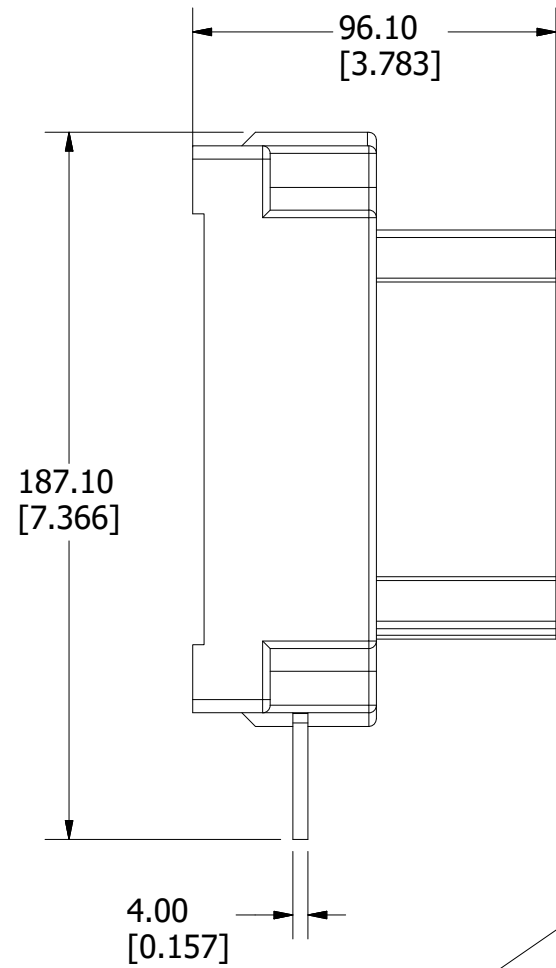


PART NUMBER	UPC CODE
LS602501VS00L	07945826638

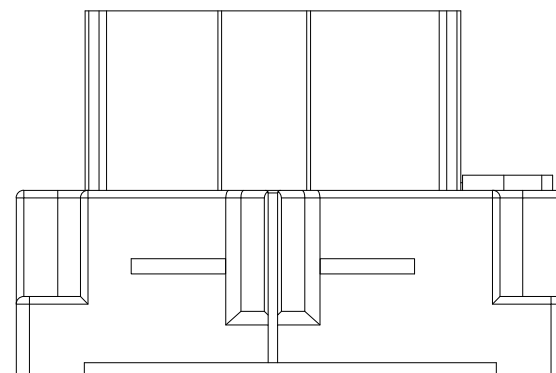
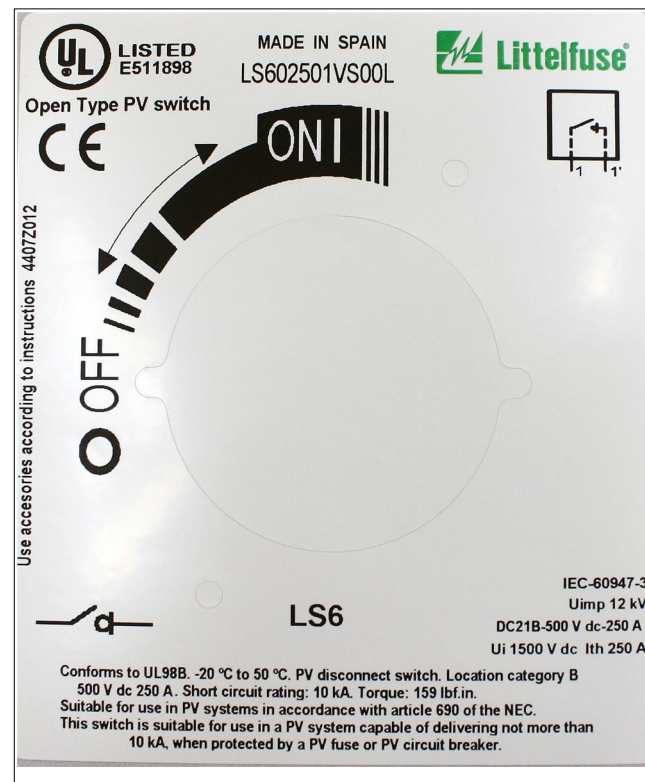
REVISION		
REV	DATE	DESCRIPTION
A	4/21/20	522213GCP - RELEASE MRY



SPEC LABEL

See instructions 4407Z012	Par apriete terminal lugs	
	Terminal torque	18 Nxm
	Couple de serrage	159 lbf.in
	des terminaux	
	Bolsa terminales	
	Kit terminal lugs	LDRTL11W
	Kit de terminaux	
	Tipo cable	
	Wire type	Cu
	Type de câble	
Rango de temperatura		
Temperature rating	75 °C	
Intervale de temperaturas		
Fecha de fabricación		
Manufacture date	01/08/20	
Date de fabrication		

PRODUCT LABEL



<S>	CRITICAL CHARACTERISTIC FOR PART SAFETY/COMPLIANCE
●	DENOTES CRITICAL CHARACTERISTICS.
CPK	DENOTES CPK DIMENSIONS, -MINIMUM CPK VALUE
⊠	DENOTES A CHARACTERISTIC THAT PROVIDES AN INDICATION OF PROCESS PERFORMANCE. PROCEDURE FOR MEASUREMENT AND TRACKING TO BE DEFINED IN LITTELFUSE INSPECTION INSTRUCTIONS.
CP	DENOTES CP DIMENSIONS, -MINIMUM CP VALUE MUST BE WITHIN THE DIMENSIONAL LIMITATIONS SHOWN ON DRAWING AND INITIALLY LOCATED TO ALLOW FOR MAXIMUM TOOL LIFE.

B

MATL SPEC	FINISH		
DRW myork	DATE 11/11/2019	SCALE NTS	FINISH GOOD WT GRAMS/PIECE

UNLESS OTHERWISE SPECIFIED, DIMENSIONS ARE IN MILLIMETERS, DIMENSIONS IN BRACKETS [] ARE INCHES DIMENSIONING AND DO NOT INCLUDE PLATING. TOLERANCING TO BE INTERPRETED IN ACCORDANCE WITH ANSI Y14.5M-1994



TITLE DISCONNECT SWITCH 250A 500VDC 1 POLE OUTLINE

CHICAGO, ILLINOIS 60631	REVISION A	DRWG NO. OL-LS602501VS00L	SHEET 1 OF 1
-------------------------	------------	---------------------------	--------------