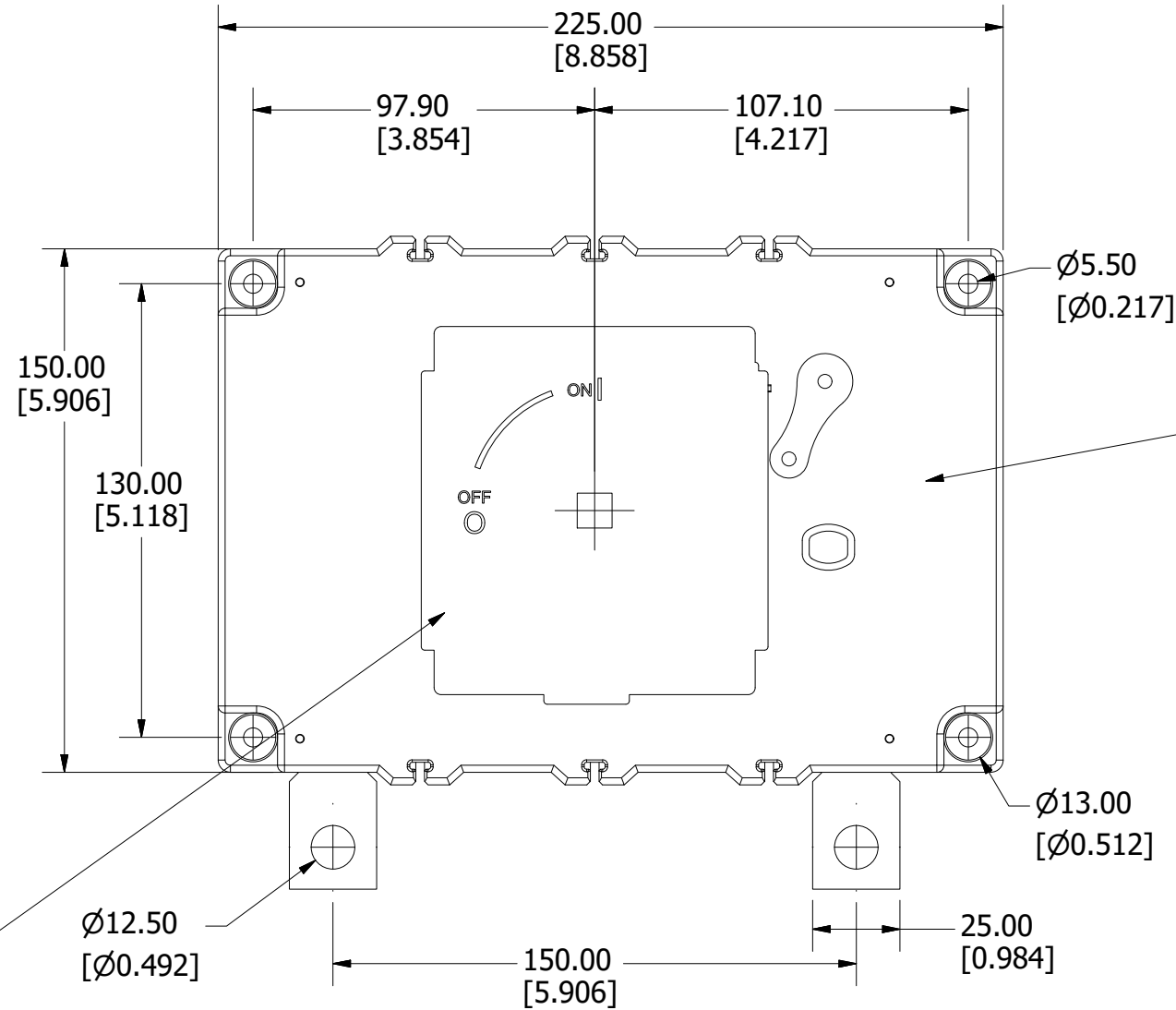
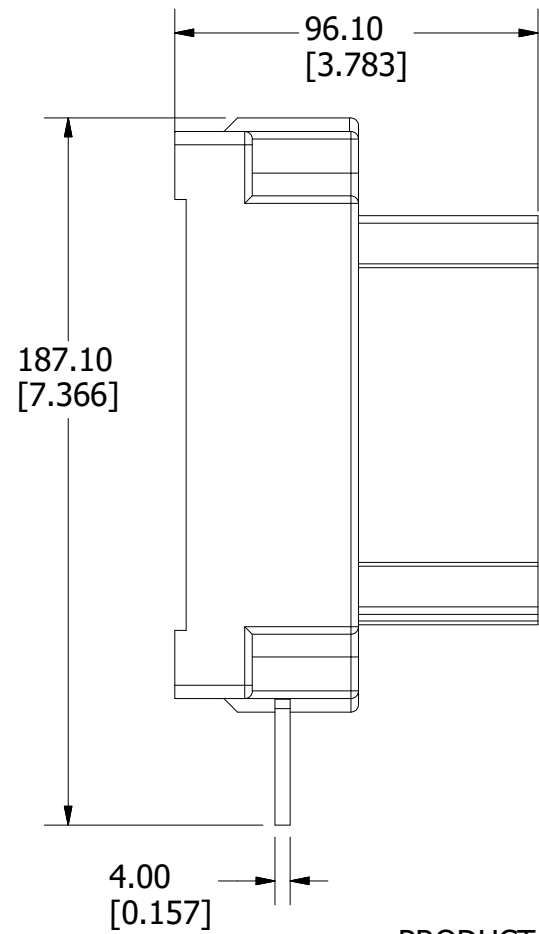


PART NUMBER	UPC CODE
LS602501MS00L	07945826640

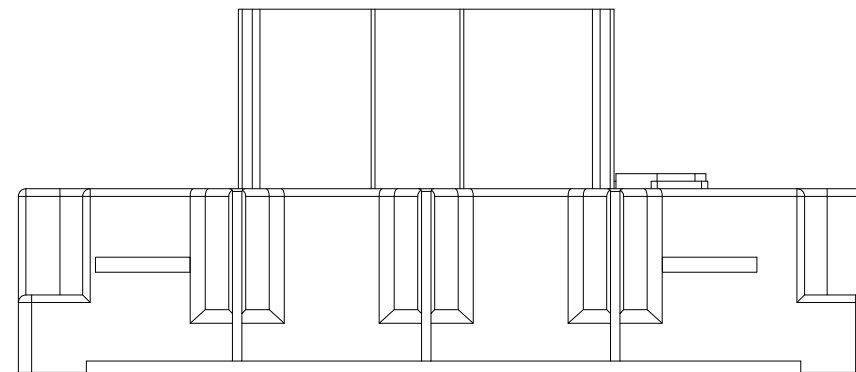
REVISION		
REV	DATE	DESCRIPTION
A	4/21/20	522213GCP - RELEASE MRY



SPEC LABEL

See instructions 4407Z012	Par apriete terminal lugs	
	Terminal torque	
	Couple de serrage	18 Nxm
	des terminaux	159 lbf/in
	Bolsa terminales	
	Kit terminal lugs	LDRTL11W
	Kit de terminaux	
	Tipo cable	
	Wire type	Cu
	Type de câble	
Rango de temperatura		
Temperature rating		
Intervale de	75 °C	
temperatures		
Fecha de fabricación		
Manufacture date	01/08/20	
Date de fabrication		

PRODUCT LABEL



<S>	CRITICAL CHARACTERISTIC FOR PART SAFETY/COMPLIANCE
●	DENOTES CRITICAL CHARACTERISTICS.
CPK	DENOTES CPK DIMENSIONS, -MINIMUM CPK VALUE
⬡	DENOTES A CHARACTERISTIC THAT PROVIDES AN INDICATION OF PROCESS PERFORMANCE. PROCEDURE FOR MEASUREMENT AND TRACKING TO BE DEFINED IN LITTELFUSE INSPECTION INSTRUCTIONS.
CP	DENOTES CP DIMENSIONS, -MINIMUM CP VALUE MUST BE WITHIN THE DIMENSIONAL LIMITATIONS SHOWN ON DRAWING AND INITIALLY LOCATED TO ALLOW FOR MAXIMUM TOOL LIFE.

B

MATL SPEC	FINISH		
DRW myork	DATE 11/11/2019	SCALE NTS	FINISH GOOD WT GRAMS/PIECE

UNLESS OTHERWISE SPECIFIED, DIMENSIONS ARE IN MILLIMETERS, DIMENSIONS IN BRACKETS [] ARE INCHES DIMENSIONING AND DO NOT INCLUDE PLATING. TOLERANCING TO BE INTERPRETED IN ACCORDANCE WITH ANSI Y14.5M-1994



TITLE DISCONNECT SWITCH 250A 1000VDC 1 POLE OUTLINE

 CHICAGO, ILLINOIS 60631	REVISION	DRWG NO.	SHEET 1 OF 1
	A	OL-LS602501MS00L	