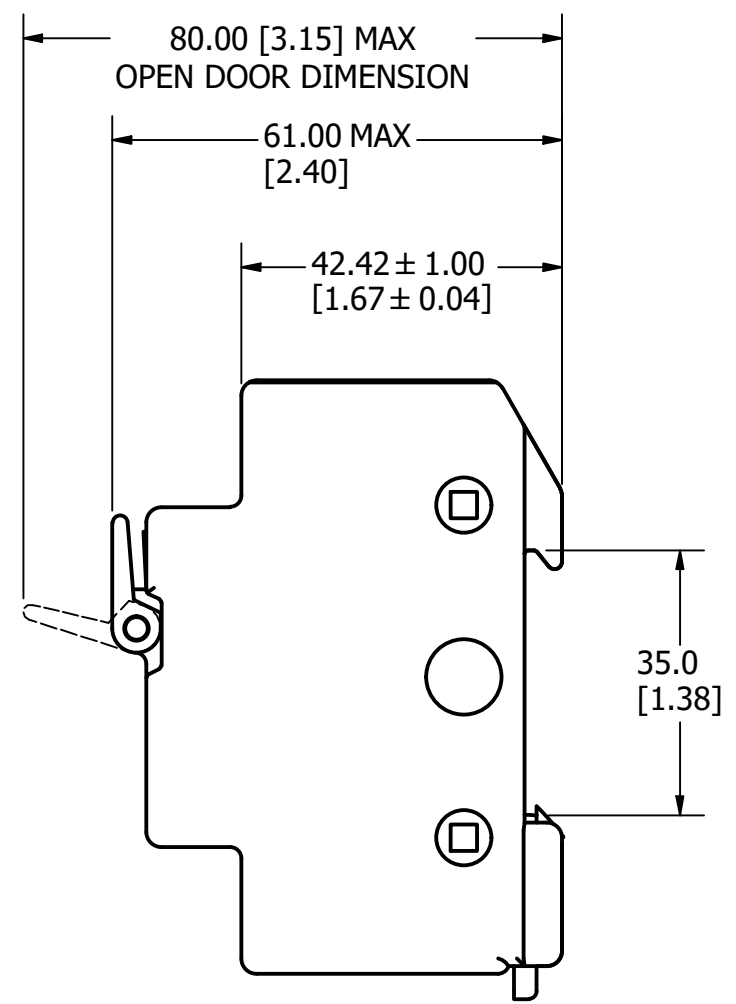
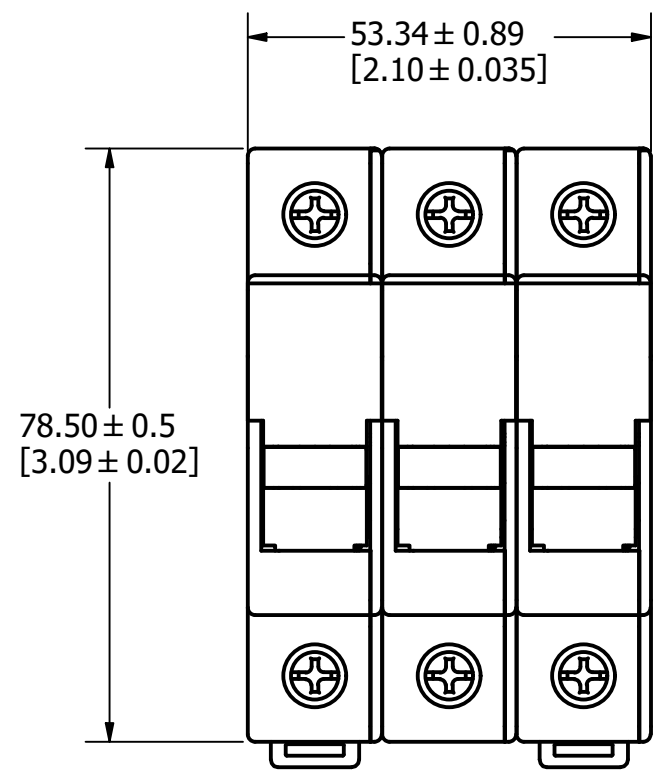


REVISION		
REV	DATE	DESCRIPTION
A	10/13/22	525730GCP - RELEASE MRY
B	11/3/22	525897ECP/D - CHANGE TOLERANCE & WIRE RANGE MRY



**SPECIFICATIONS:**

**VOLTAGE RATING:** 600V


**AMP RATING:** 30 AMPERES

**INTERRUPT RATING:** 100kA

**WIRE RANGE:** #8-14 AWG STRANDED Cu ONLY UL CLASS B & CLASS C WIRE  
#10-14 AWG SOLID Cu ONLY

**SUGGESTED TORQUE:** 2 N-m [17.7 IN-LB]

**APPROVALS:** UL RECOGNIZED (FILE NO. E14721)  
CSA CERTIFIED (FILE NO. LR7316)

1	NO	COMPONENT NO	DESCRIPTION	QTY/M	U/M
<b>BILL OF MATERIAL</b>					
<S>	CRITICAL CHARACTERISTIC FOR PART SAFETY/COMPLIANCE				
●	DENOTES CRITICAL CHARACTERISTICS.				
CPK	DENOTES CPK DIMENSIONS, -MINIMUM CPK VALUE				
⊞	DENOTES A CHARACTERISTIC THAT PROVIDES AN INDICATION OF PROCESS PERFORMANCE. PROCEDURE FOR MEASUREMENT AND TRACKING TO BE DEFINED IN LITTELFUSE INSPECTION INSTRUCTIONS.				
CP	DENOTES CP DIMENSIONS, -MINIMUM CP VALUE MUST BE WITHIN THE DIMENSIONAL LIMITATIONS SHOWN ON DRAWING AND INITIALLY LOCATED TO ALLOW FOR MAXIMUM TOOL LIFE.				
MATL SPEC			FINISH		
DRW JMOLER	DATE 9/30/2022	SCALE NTS	FINISH GOOD WT GRAMS/PIECE		
UNLESS OTHERWISE SPECIFIED, DIMENSIONS ARE IN MILLIMETERS, DIMENSIONS IN BRACKETS [ ] ARE INCHES DIMENSIONING AND DO NOT INCLUDE PLATING. TOLERANCING TO BE INTERPRETED IN ACCORDANCE WITH ANSI Y14.5M-1994					
3RD ANGLE PROJECTION					
TITLE LPSM003 OUTLINE					
 CHICAGO, ILLINOIS 60631		REVISION B	DRWG NO. OL-LPSM003	SHEET 1 OF 1	