

# MISM-7

## 7mm Surface Mount Reed Switch



### Description

The MISM-7 surface mount reed switch is a sub-miniature, normally open switch with a 7mm long x 1.8mm diameter (0.276" x 0.071") glass envelope, capable of switching up to 0.25 Amps. This reed switch is a surface mount version of the MITI-7. It has a high insulation resistance of 1012 Ohms minimum and a contact resistance of less than 150 milliohms.

### Features & Benefits

- Ultra-miniature surface mount normally open switch
- Available sensitivity range 6-10 AT
- Capable of switching 170 Vdc or 0.25A up to 10W
- Hermetically sealed switch contacts are not effected by and have no effect on their external environment
- Zero operating power required for contact closure
- Excellent for switching microcontroller logic level loads
- Very low space requirement

### Additional Information



Resources



Accessories



Samples

### Agency Approvals

Agency	Agency File Number	Ampere-Turns Range
	E47258 E471070	6 - 20AT

**Note:** Contact Littelfuse for specific agency approval ratings.

### Applications

- Position Sensing
- Level Sensing
- Meter Equipment
- Security
- Office Equipment

### Switch Type

<b>Contact Form</b>	A (SPST-NO)
<b>Materials</b>	Body: Glass Leads: Tin-plated Ni-Fe wire

**Note:** SPST-NO = Single-pole, single-throw, normally open

### Electrical Ratings

Contact Rating <sup>1</sup>		W/VA - max.	10
Voltage <sup>3</sup>	Switching <sup>2</sup> Breakdown <sup>4</sup>	Vdc - max.	170
		Vac - max.	120
		Vdc - min.	175
Current <sup>3</sup>	Switching <sup>2</sup> Carry	Adc - max.	0.25
		Aac - max.	0.18
		Adc - max.	0.50
Resistance	Contact, Initial Insulation	Ω - max.	0.150
		Ω - min.	10 <sup>12</sup>
Capacitance	Contact	pF - typ.	0.3
Temperature	Operating Storage <sup>5</sup>	°C	-40 to +125
		°C	-65 to +125

**Notes:**

1. Contact rating - Product of the switching voltage and current should never exceed the wattage rating. Contact Littelfuse for additional load/life information.
2. When switching inductive and/or capacitive loads, the effects of transient voltages and/or currents should be considered. Refer to Application Notes AN108A and AN107 for details.
3. Electrical Load Life Expectancy - Contact Littelfuse with voltage, current values along with type of load.
4. Breakdown Voltage - per MIL-STD-202, Method 301.
5. Storage Temperature - Long time exposure at elevated temperature may degrade solderability of the leads.

# MISM-7

## 7mm Surface Mount Reed Switch

### Product Characteristics

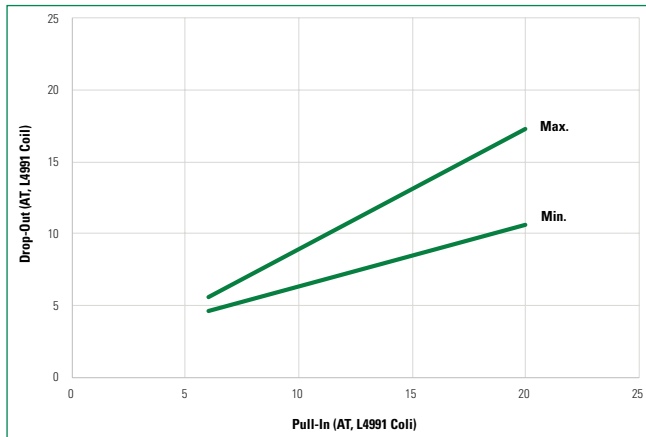
Operating Characteristics		
Operate Time <sup>1</sup>	-	0.45ms - max.
Release Time <sup>1</sup>	-	0.20ms - max.
Shock <sup>2</sup>	11ms 1/2 sine wave	100G - max
Vibration <sup>2</sup>	50-2000 Hertz	30G - max.
Resonant Frequency	-	14kHz - typ.

Magnetic Characteristics		
Pull-In Range <sup>3</sup>	Ampere Turns	6-10, 10-15, 15-20
Rating Sensitivity <sup>4</sup>	Ampere Turns	10
Test Coil	-	L4991

**Notes:**

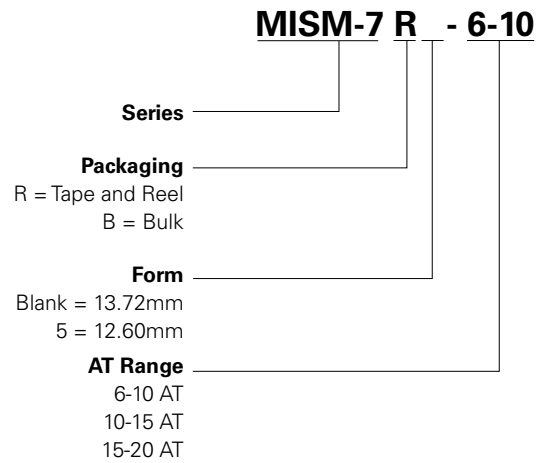
- Operate (including bounce)/Release Time - per EIA/NARM RS-421-A, diode suppressed coil (Coil I).
- Shock and Vibration - per EIA/NARM RS-421-A and MIL-STD-202.
- Pull-In Range - Contact Littelfuse for narrower AT ranges available. These AT values are the before modification AT of the MITI-3V1.
- Rating Sensitivity - The value at which contact ratings and operating characteristics are determined. Derating may be required below this value.

### Drop-Out vs. Pull In Chart



**Note:** Chart represents the range of Drop-Out, min to max for a given Pull-In value.

### Part Numbering System



**Example:** 6-10 AT product is MISM-7R-6-10

**Note:** These AT values are the before-modification values of the bare reed switch.

### Packaging

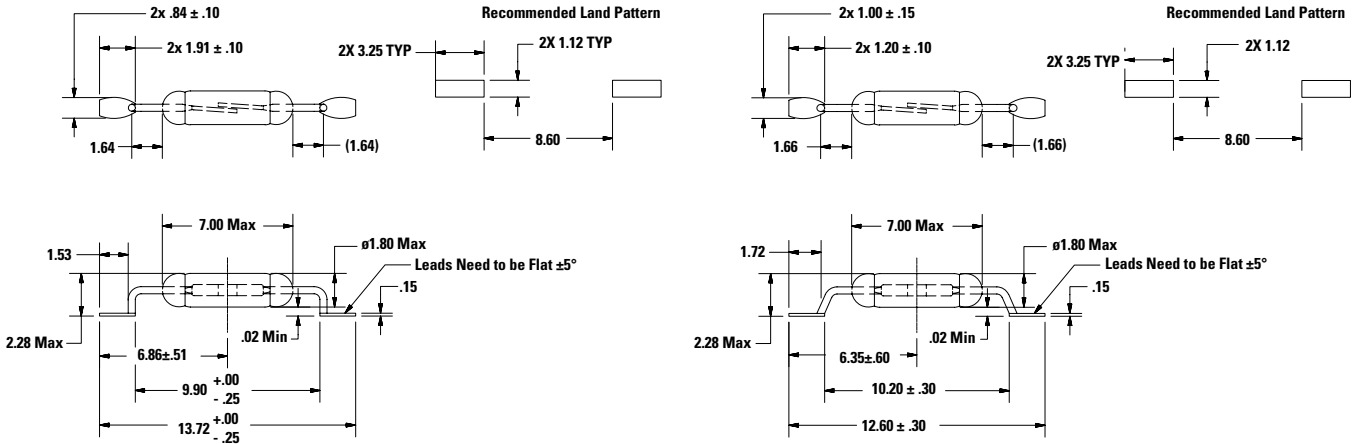
Packaging Option	Packaging Specification	Quantity	Quantity and Packaging Code	Taping Width
Tape and Reel	EIA-RS-481-1	3000	R	32mm

# MISM-7

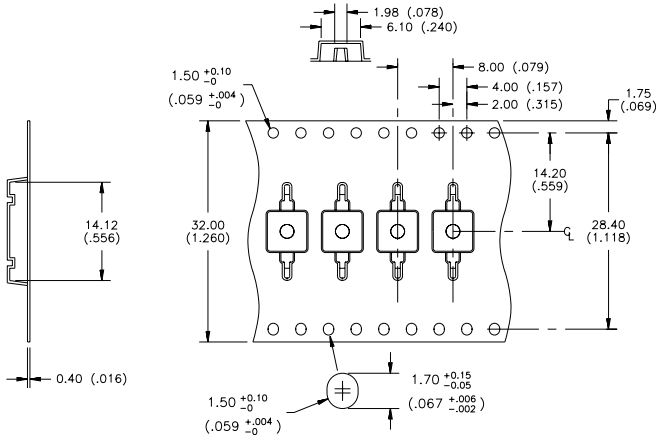
## 7mm Surface Mount Reed Switch

### Dimensions

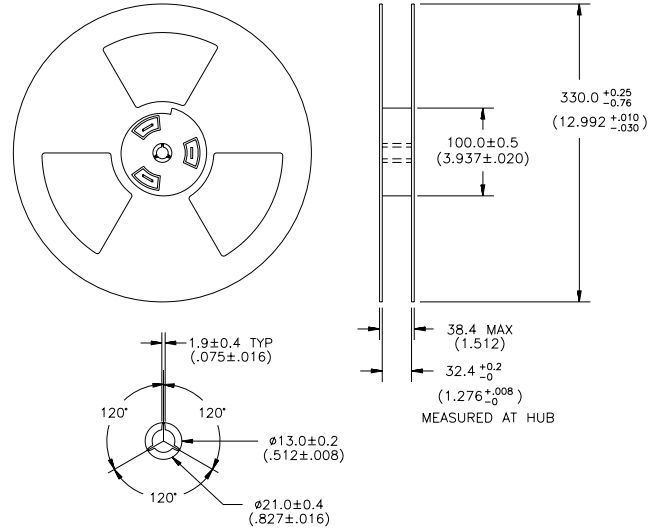
Dimensions in mm



### Tape Dimensions mm (inch)



### Reel Dimensions mm (inch)



**Disclaimer Notice** - Information furnished is believed to be accurate and reliable. However, users should independently evaluate the suitability of and test each product selected for their own applications. Littelfuse products are not designed for, and may not be used in, all applications. Read complete Disclaimer Notice at [www.littelfuse.com/disclaimer-electronics](http://www.littelfuse.com/disclaimer-electronics).