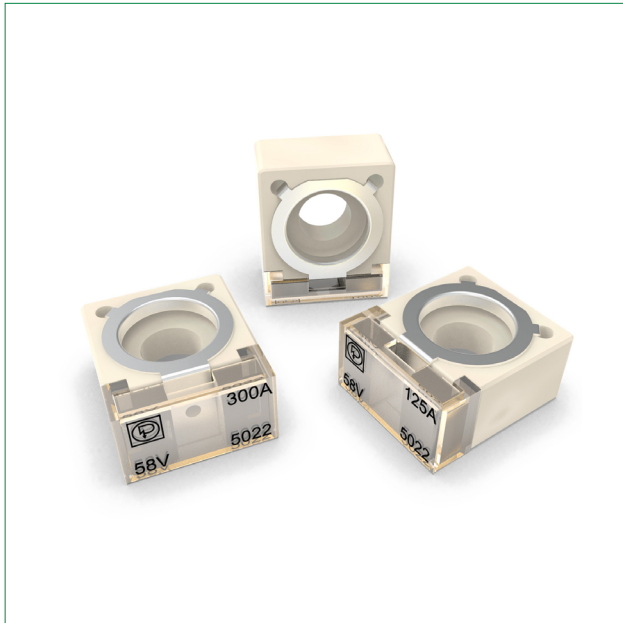


# CF8 Series

## Bolt-down Fuses – Rated 58V



### Description

CF 58V automotive fuses serve as battery terminal fuses. Each installs on a pole in a bolt-down fuse holder and power distribution block to provide fastacting circuit protection. Buy CF8 799 Series fuse holders separately.

### Features & Benefits

- Fast-acting
- Available with ratings of 50 A to 300 A
- 50 A to 100 A fuses operate at up to 105 °C; 125 A to 300 A fuses operate at up to 125 °C
- Ceramic insulating bodies
- Transparent covers make it easier to see when fuses blow
- Fuses install like insulating nuts
- Comply with ISO 8820-6

### Applications

- Cars / SUVs
- Trucks
- Offroad vehicles
- Buses
- Watercraft as approved by Littelfuse®

[See Disclaimer Notice](#)

### Additional Information



Resources



Samples

### Specifications

<b>Voltage Rating:</b>	58 V DC
<b>Interrupting Rating:</b>	2000 A @ 58 V DC
<b>Recommended Environmental Temperature:</b>	-40 °C to +125 °C
<b>Terminals Material:</b>	Silver-plated or Tin-plated zinc alloy
<b>Opaque Housing Material:</b>	Out of Ceramic
<b>Transparent Cover Material:</b>	PES
<b>Comply With:</b>	ISO 8820-6, DIN 72581-5, UL 248 Special Purpose Fuses (File No. E211637)

### Ordering Information

Part Number	Package Size
155.0892.xxx1	100

# CF8 Series

## Bolt-down Fuses – Rated 58V

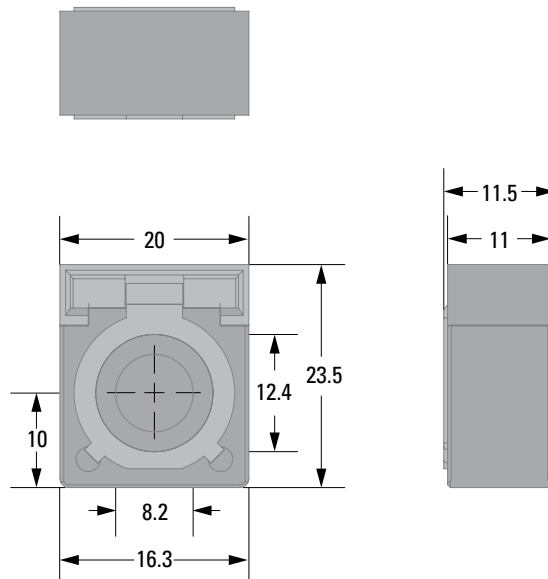
### Ratings

Part Number	Current Rating (A)	Typ. Voltage Drop (mV)	Typ. Cold Resistance (mΩ)	Typ. I <sup>2</sup> t (A <sup>2</sup> s)
155.0892.5501	50	100	1.20	1900
155.0892.5751	75	90	0.60	12 000
155.0892.6101	100	80	0.60	14 000
155.0892.6121	125	75	0.45	51 000
155.0892.6151	150	70	0.35	63 800
155.0892.6171	175	70	0.25	120 000
155.0892.6201	200	65	0.25	172 800
155.0892.6251	250	70	0.20	330 000
155.0892.6301	300	70	0.15	372 000

**Note:** The typical I<sup>2</sup>t is an average value calculated from the breaking capacity tests by using the melting time before the arcing occurs.

### Dimensions

Dimensions in mm. Please refer to the outline drawing for dimensions and tolerances.

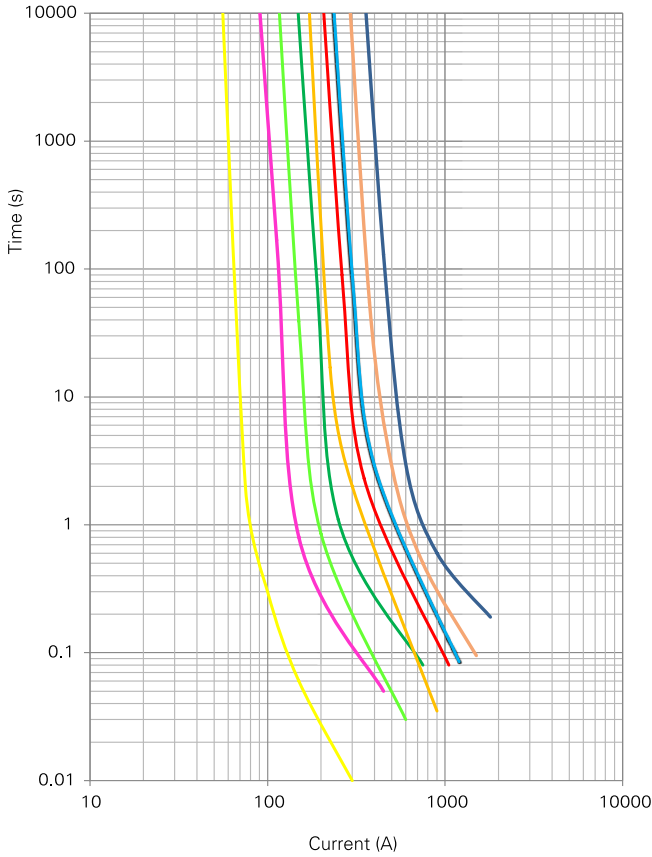


Insert CF8-Fuse links only in conjunction with the insulating nuts, please contact Littelfuse® for more information.

# CF8 Series

Bolt-down Fuses – Rated 58V

## Time-Current Characteristic



% of Rating	Opening Time Min. / Max. (s)
100	360 000 / -
135	- / 3600
150	1 / 600
200	0.2 / 60
300	0.05 / 1.5
400	0.02 / 0.5
600	- / 0.2

- 50 A
- 75 A
- 100 A
- 125 A
- 150 A
- 175 A
- 200 A
- 250 A
- 300 A

**Note:** Current recommendation may be impacted by the final condition of the application (terminals characteristics, wire size etc.). Please contact Littelfuse® for more information.

**Disclaimer Notice** - Information furnished is believed to be accurate and reliable. However, users should independently evaluate the suitability of and test each product selected for their own applications. Littelfuse products are not designed for, and may not be used in, all applications. Read complete Disclaimer Notice at <https://www.littelfuse.com/legal/disclaimers/product-disclaimer.aspx>