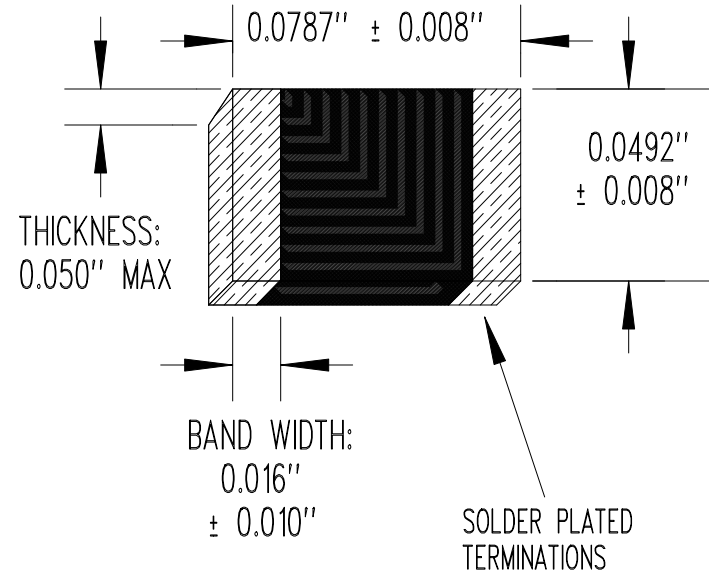


| RESISTANCE/TEMPERATURE TABLE | | | |
|------------------------------|--------------|--------------|--------------|
| TEMP (°C) | RESIS (Ω) | TEMP (°C) | RESIS (Ω) |
| -40 | 112,679 | 45 | 2,390 |
| -35 | 84,326 | 50 | 2,012 |
| -30 | 63,750 | 55 | 1,702 |
| -25 | 48,659 | 60 | 1,447 |
| -20 | 37,477 | 65 | 1,234 |
| -15 | 29,112 | 70 | 1,057 |
| -10 | 22,798 | 75 | 909.5 |
| -5 | 17,990 | 80 | 785.2 |
| 0 | 14,300 | 85 | 680.3 |
| 5 | 11,446 | 90 | 591.6 |
| 10 | 9,221 | 95 | 516.3 |
| 15 | 7,476 | 100 | 452.0 |
| 20 | 6,096 | 105 | 396.9 |
| 25 | 5,000 | 110 | 349.7 |
| 30 | 4,124 | 115 | 308.9 |
| 35 | 3,420 | 120 | 273.6 |
| 40 | 2,852 | 125 | 243.1 |



RESISTANCE @ +25°C = 5,000 Ω ± 5%
 BETA "β" (+25 TO +85°C) = 3,550°K NOMINAL
 POWER RATING = 240 mW
 OPERATING TEMPERATURE RANGE = -40 TO +125°C

SEE MANUFACTURING SPECIFICATION (LAYER 1)

| | | | |
|------|-------------------------|----------|-----|
| "A" | POWER RATING WAS 300 mW | 09/25/17 | MW |
| NONE | RELEASE TO PRODUCTION | 02/13/04 | DD |
| REV | REVISION RECORD | DATE | APP |

| | |
|----------------------|--|
| SCALE NONE | U.S. SENSOR CORP. © COPYRIGHT 714-639-1000 www.ussensor.com NTC CHIP THERMISTOR P/N KR502F0J |
| DRAWN BY DAN DANKERT | |
| DATE 02/13/04 | |
| REV. "A" | |
| LAYER 0 OF 2 | |