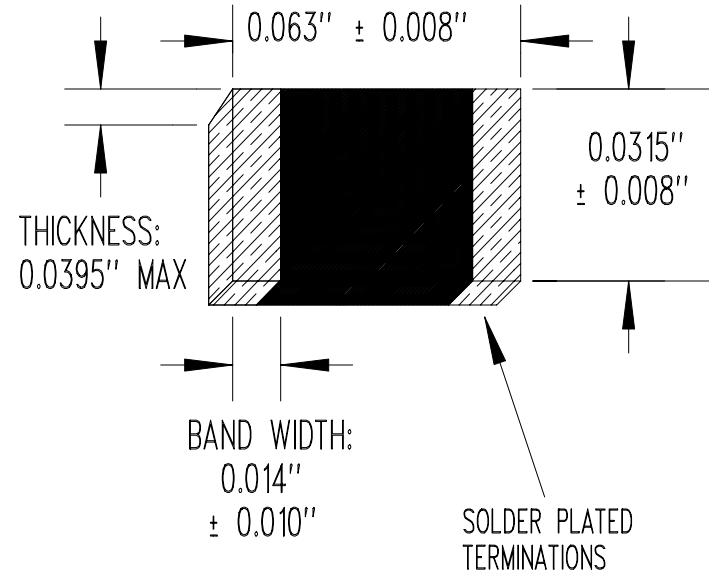


RESISTANCE/TEMPERATURE TABLE			
TEMP (°C)	RESIS (Ω)	TEMP (°C)	RESIS (Ω)
-40	133,767	45	1,038
-35	90,996	50	849.9
-30	62,912	55	700.4
-25	44,162	60	581.0
-20	31,447	65	485.1
-15	22,696	70	407.5
-10	16,590	75	344.2
-5	12,272	80	292.4
0	9,182	85	249.7
5	6,944	90	214.3
10	5,304	95	184.8
15	4,091	100	160.1
20	3,184	105	139.3
25	2,500	110	121.7
30	1,982	115	106.8
35	1,585	120	94.04
40	1,278	125	83.14



RESISTANCE @ +25°C = 2,500 Ω ± 5%
 BETA "β" (+25 TO +85°C) = 4,100°K NOMINAL
 POWER RATING = 150 mW
 OPERATING TEMPERATURE RANGE = -40 TO +125°C

SEE MANUFACTURING SPECIFICATION (LAYER 1)

NONE	RELEASE TO PRODUCTION	12/11/03	DD
REV	REVISION RECORD	DATE	APP

SCALE	NONE	U.S. SENSOR CORP. 1832 W. COLLINS AVE. ORANGE, CA. 92867 714-639-1000 www.ussensor.com
DRAWN BY	DAN DANKERT	
DATE	12/11/03	
REV.	NONE	
LAYER	0 OF 2	
		THERMISTOR, NTC CHIP
		P/N RB252LOJ