

Indicator MAXI Smart Glow fuse

Rated 32 V DC

RoHS



Description

Each MAXI™ Smart Glow 32 V blade fuse includes an LED indicator light that comes on when the fuse blows. Like other MAXI fuses, it employs diffusion pill technology to provide time-delayed/SLO-BLO® circuit protection and low heat dissipation.

Features & Benefits

- Available with ampere ratings of 20 A to 100 A
- Interrupting ratings of 1 kA at 32 VDC
- Operate at up to 125 °C with terminals reaching 150 °C at contact points
- Silver-plated zinc alloy terminals
- PA66 housings with UL flammability ratings of V-2
- Net weight 5.7 g \pm 5 % per fuse
- Comply with SAE J1888, SAE 2576, and ISO 8820-3:2002(E)
- Certified lead-free and RoHS compliant
- Color coding indicates ampere rating
- High-contrast ampere rating stamps aid identification
- See-through housings make it easier to see when fuses blow

Applications

- Cars and SUVs
- Trucks
- Buses
- Offroad vehicles
- Watercraft as approved by Littelfuse

Ratings

Color Code	Current Rating (A)	Carded Material #
Yellow	20	0MAX020.X
Green	30	0MAX030.X
Orange	40	0MAX040.X
Red	50	0MAX050.X
Blue	60	0MAX060.X
Tan	70	0MAX070.X
Clear	80	0MAX080.X
Purple	100	-

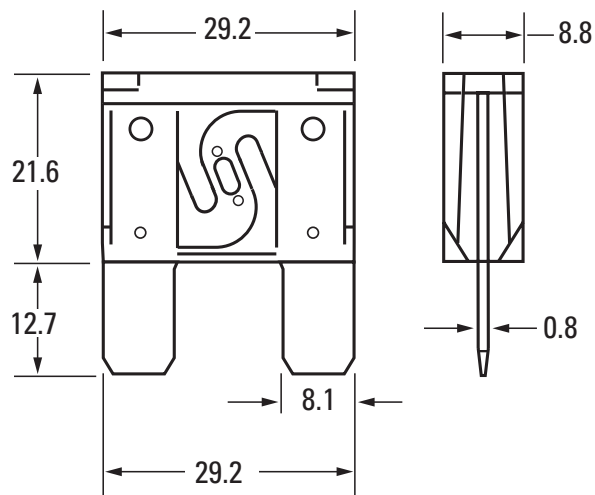
**SMART
GLOW** Fuse®

Indicator MAXI Smart Glow fuse

Rated 32 V DC

Dimensions

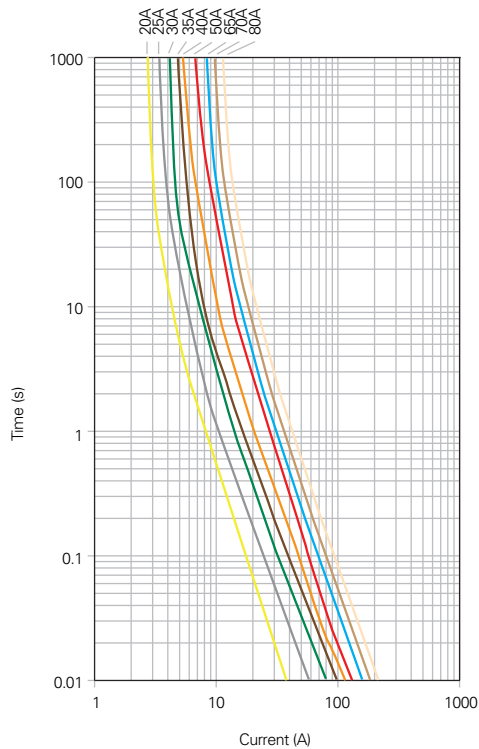
Dimensions in mm. Please refer to the outline drawing for dimensions and tolerances.



Indicator MAXI Smart Glow fuse

Rated 32 V DC

Time-Current Characteristic



% of Rating	Opening Time Min. / Max. (s)
110	360,000 / -
135	60 / 1800
200	2 / 60
350	0.2 / 7
600	0.04 / 1