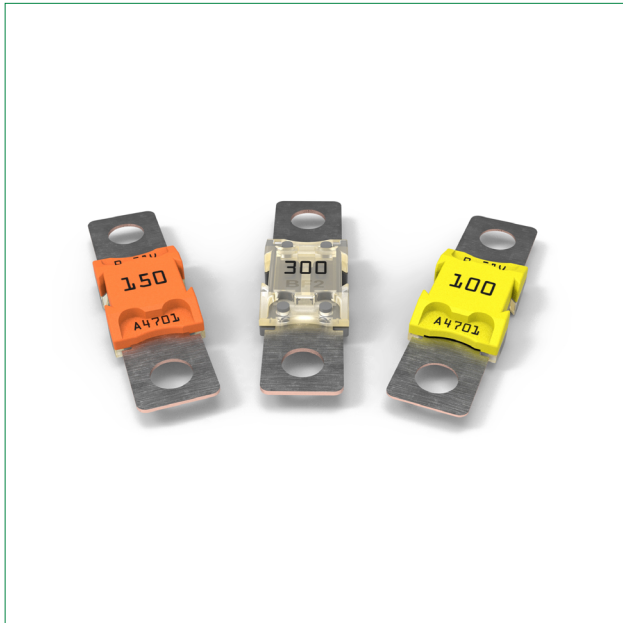


# BF2 Series

## Bolt-down Fuses – Rated 58V



### Description

BF2 58V fuses use Slo-Blo® technology to protect high-current wiring harnesses. Use the 300 A fuse only for short circuit protection.

### Features & Benefits

- High-contrast ampere rating stamps aid identification
- Color coding indicates ampere rating
- Transparent cover make it easier to see when fuse blow
- Refers to ISO 8820-5:2015

### Applications

- Cars / SUVs
- Trucks
- Offroad vehicles
- Buses
- Watercraft as approved by Littelfuse®

### Additional Information



Resources



Samples

[See Disclaimer Notice](#)

### Specifications

<b>Voltage Rating:</b>	58 V DC
<b>Interrupting Rating:</b>	1000A @ 58 VDC
<b>Recommended Environmental Temperature:</b>	-40 °C to +125 °C
<b>Terminals Material:</b>	Tin plated Copper
<b>Opaque Housing Material:</b>	PET-GF33 (U.L. 94 Flammability rating – V0)
<b>Clear Housing Material:</b>	PES (U.L. 94 Flammability rating – HB)
<b>Mounting Torque M8:</b>	12 Nm +/- 1Nm
<b>Comply With:</b>	UL 248 Special Purpose Fuse
<b>Refers To:</b>	ISO 8820-5:2015

### Ordering Information

Part Number	Current Rating (A)	Package Size
142.5395.xxxx	100 - 300	200

# BF2 Series

## Bolt-down Fuses – Rated 58V

### Ratings

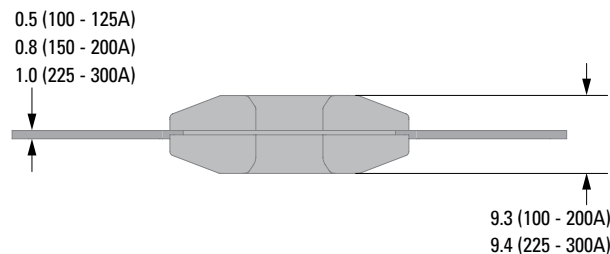
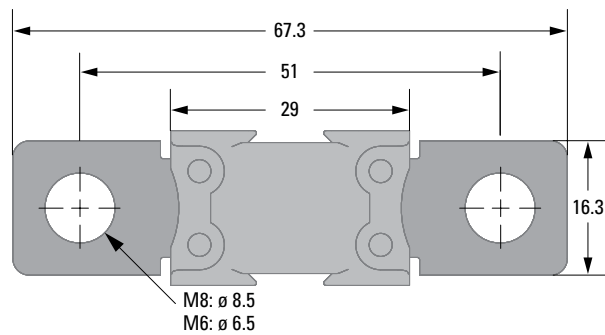
Part Number	Current Rating (A)	Housing Material Color	Test Cable Size (mm <sup>2</sup> )	Typ. Voltage Drop (mV)	Typ. Cold Resistance (mΩ)	Typ. I <sup>2</sup> t (A <sup>2</sup> s)
142.5395.6102	100	Yellow	16	102	0.70	46 800
142.5395.6122	125	Green	25	81	0.52	118 100
142.5395.6152	150	Orange	25	77	0.42	113 400
142.5395.6172	175	White	25	104	0.36	154 400
142.5395.6202	200	Blue	35	102	0.34	288 000
142.5395.6222	225	Brown	35	107	0.29	236 000
142.5395.6252	250	Pink	50	86	0.25	292 500
142.5395.6302 <sup>1</sup>	300	Grey	70	68	0.21	486 000

**Note 1:** Short Circuit Protector only

**Note 2:** The typical I<sup>2</sup>t is an average value calculated from the breaking capacity tests by using the melting time before the arcing occurs.

### Dimensions

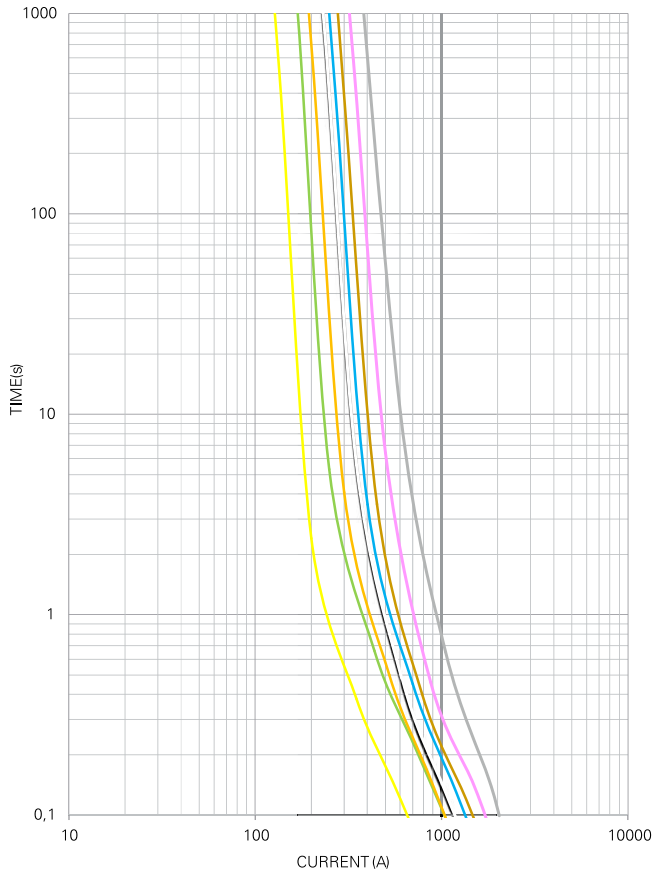
Dimensions in mm. Please refer to the outline drawing for dimensions and tolerances.



# BF2 Series

Bolt-down Fuses – Rated 58V

## Time-Current Characteristic



### 100 A - 250 A

% of Rating	Opening Time Min. / Max. (s)
75	- / -
100	14 400 / -
135	120 / 1800
200	1 / 15
350	0.3 / 5
600	0.1 / 1

### 300 A - 500 A

% of Rating	Opening Time Min. / Max. (s)
75	14 400 / -
100	- / -
135	- / -
200	1 / 15
350	0.5 / 5
600	0.1 / 1

- 100 A      200 A
- 125 A      225 A
- 150 A      250 A
- 175 A      300 A

**Note:** Current recommendation may be impacted by the final condition of the application (terminals characteristics, wire size etc.). Please contact Littelfuse® for more information.

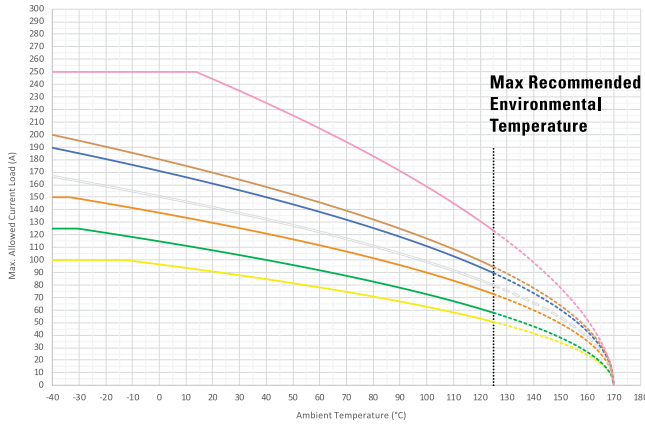
# BF2 Series

## Bolt-down Fuses – Rated 58V

### Typical Derating Curves

Temperature security margin is 20%.

Please contact Littelfuse® for Details Regarding Derating Test Set Up.

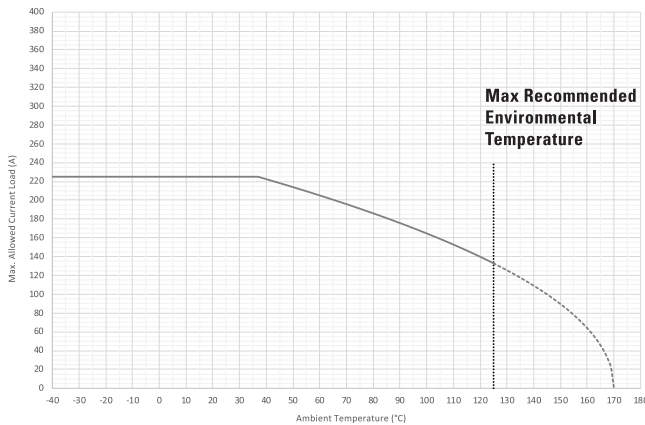


Max. allowed current load (A) at ambient temperature based on typical derating							
	-40 °C	0 °C	20 °C	65 °C	85 °C	110 °C	125 °C
<b>100 A</b>	100	96	91	76	69	58	50
<b>125 A</b>	125	115	108	90	80	67	58
<b>150 A</b>	150	128	130	109	99	83	73
<b>175 A</b>	167	151	142	120	108	92	80
<b>200 A</b>	189	171	161	135	122	103	90
<b>225 A</b>	200	180	170	143	129	109	94
<b>250 A</b>	250	250	244	200	177	145	123
<b>300 A</b>	225	225	225	201	181	153	133

- 100 A
- 125 A
- 150 A
- 175 A
- 200 A
- 225 A
- 250 A

- 300 A

**Note:** Current recommendation may be impacted by the final condition of the application (terminals characteristics, wire size etc.). Please contact Littelfuse® for more information.



**Disclaimer Notice** - Information furnished is believed to be accurate and reliable. However, users should independently evaluate the suitability of and test each product selected for their own applications. Littelfuse products are not designed for, and may not be used in, all applications. Read complete Disclaimer Notice at <https://www.littelfuse.com/legal/disclaimers/product-disclaimer.aspx>