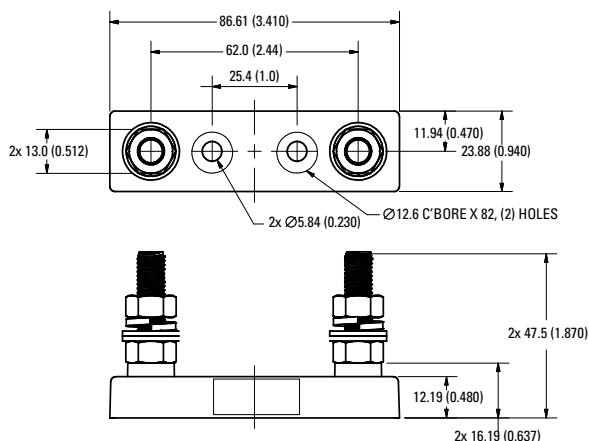


LFFB SERIES LIMITER BLOCK/LHFB INLINE HOLDER

LFFB



Dimensions in mm [inches]



Description

The LFFB003 fuseblock is designed to accept CNN and CNL style limiter fuses. Applications include but are not limited to forklifts, golf carts and other low-voltage battery equipment. It is specifically designed for the HAZGARD™ fuse but can be used for CNN/CNL fuses as well.

Specifications

Voltage Rating: 150 VAC/VDC
Ampere Rating: 800 A
Approvals: UL Recognized (File No. E14721)
Construction: Base—Thermoset
 Studs—Steel Zinc Plated

Ordering Information

CATALOG NUMBER	SYSTEM NUMBER
LFFB003	LFFB0003Z

Web Resources

Sample requests, downloadable CAD drawings and other technical information: www.littelfuse.com/lffb

Recommended Fuses

CNL/CNN Cable limiter fuses
 HAZGARD fuse

LHFB



Description

The Littelfuse LHFB waterproof in-line fuseholder is ideal for harsh environments. The LHFB holder features the voltage and ampere rating molded into the body, along with a wire strip gauge. It also withstands solvents and vibration.

Features/Benefits

- Waterproof in-line fuseholder for harsh environments
- One-piece molded thermoplastic body
- Bright green color offers high visibility
- Voltage and ampere rating molded into body

Specifications

Voltage Rating: 32 V
Ampere Rating: 30 A
Fuses: 1/4" to 1 1/4" fuses
Wire Size: Accepts #16 to #18 gauge wire
Operating Temperature: -20° C to 80° C

Installation Instructions

1. Thread wire through fuseholder body
2. Strip wire insulation per strip gauge
3. Crimp wire to fuse clip*
4. Pull wire through and seat fuse clip in the holder body
5. Insert desired fuse type and rating
6. Snap holder body together

*Recommended crimping tools: Thomas & Betts No. WT-111M
 Note: Wire is not supplied with the holder.

Web Resources

Sample requests, downloadable CAD drawings and other technical information: www.littelfuse.com/lhfb