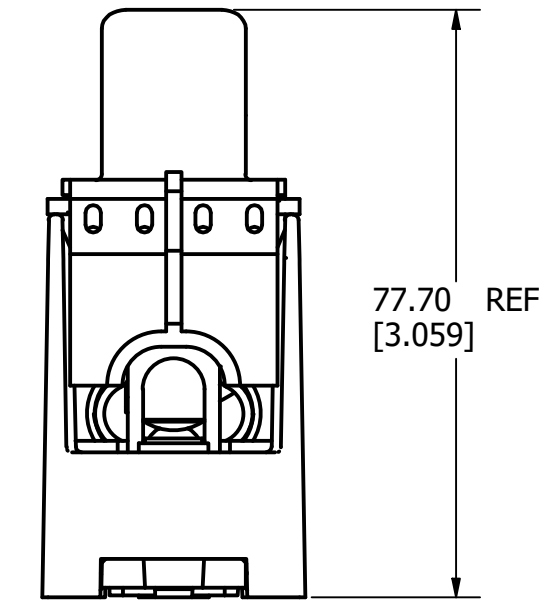
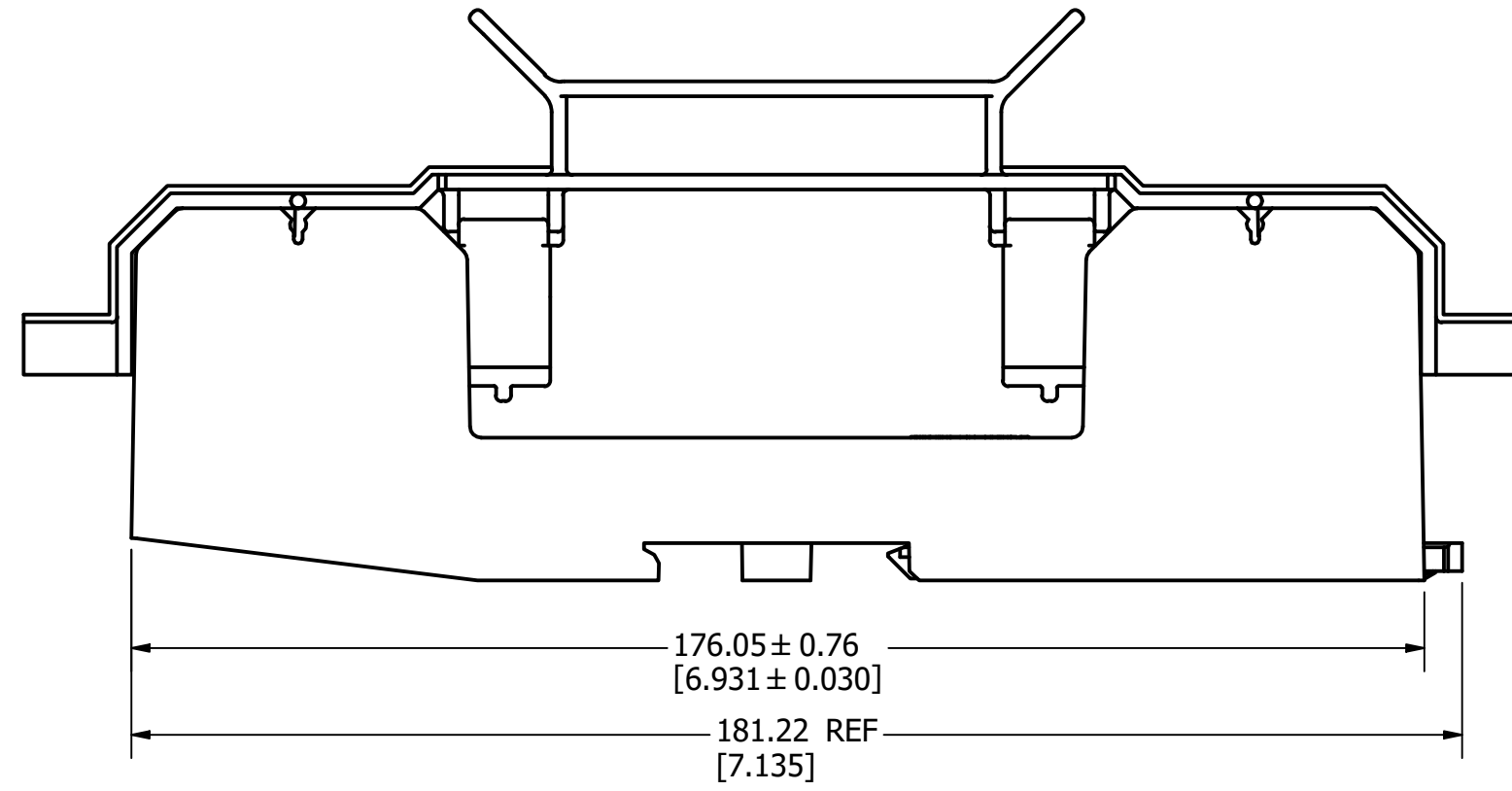
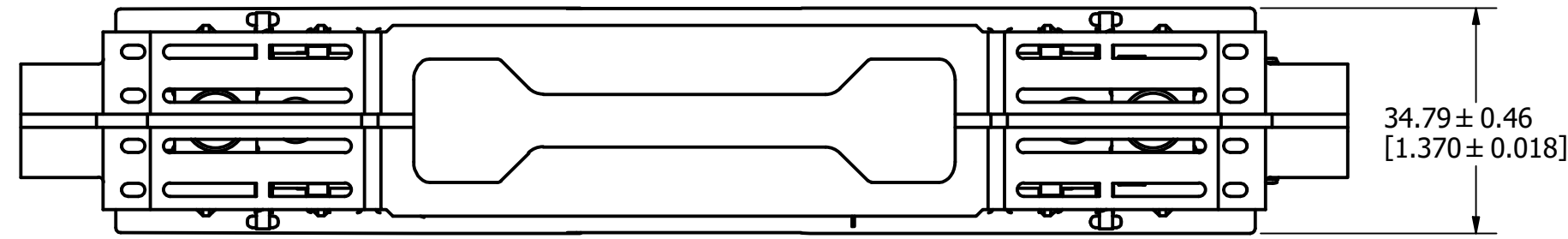
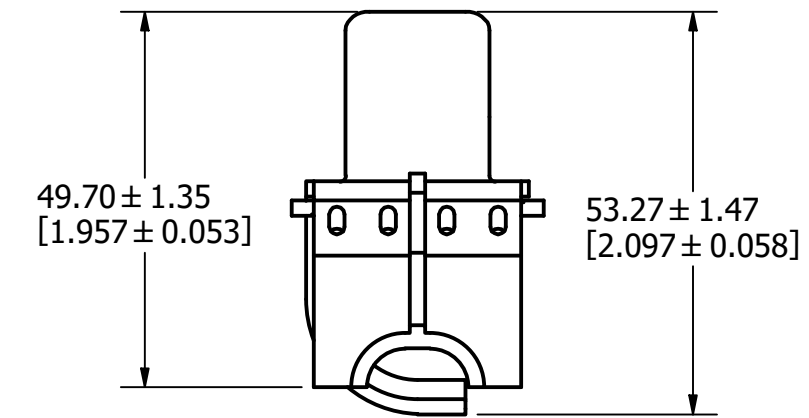
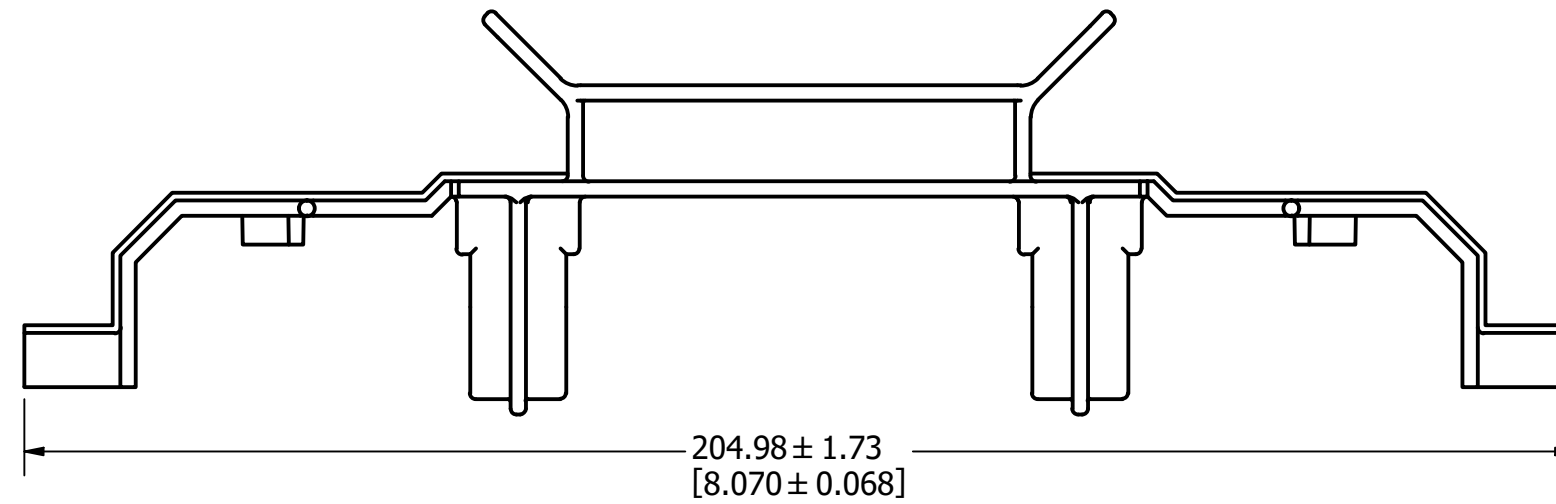
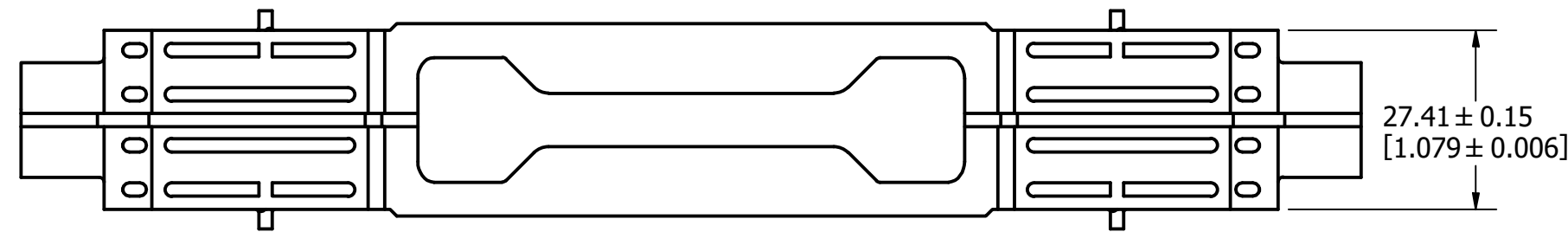


FUSE BLOCK & COVER ASSEMBLY: LFXV15060-BC

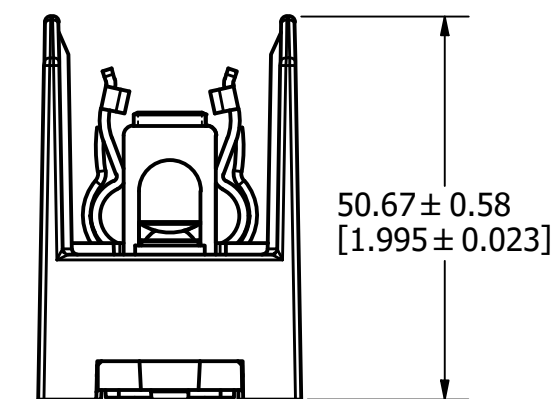
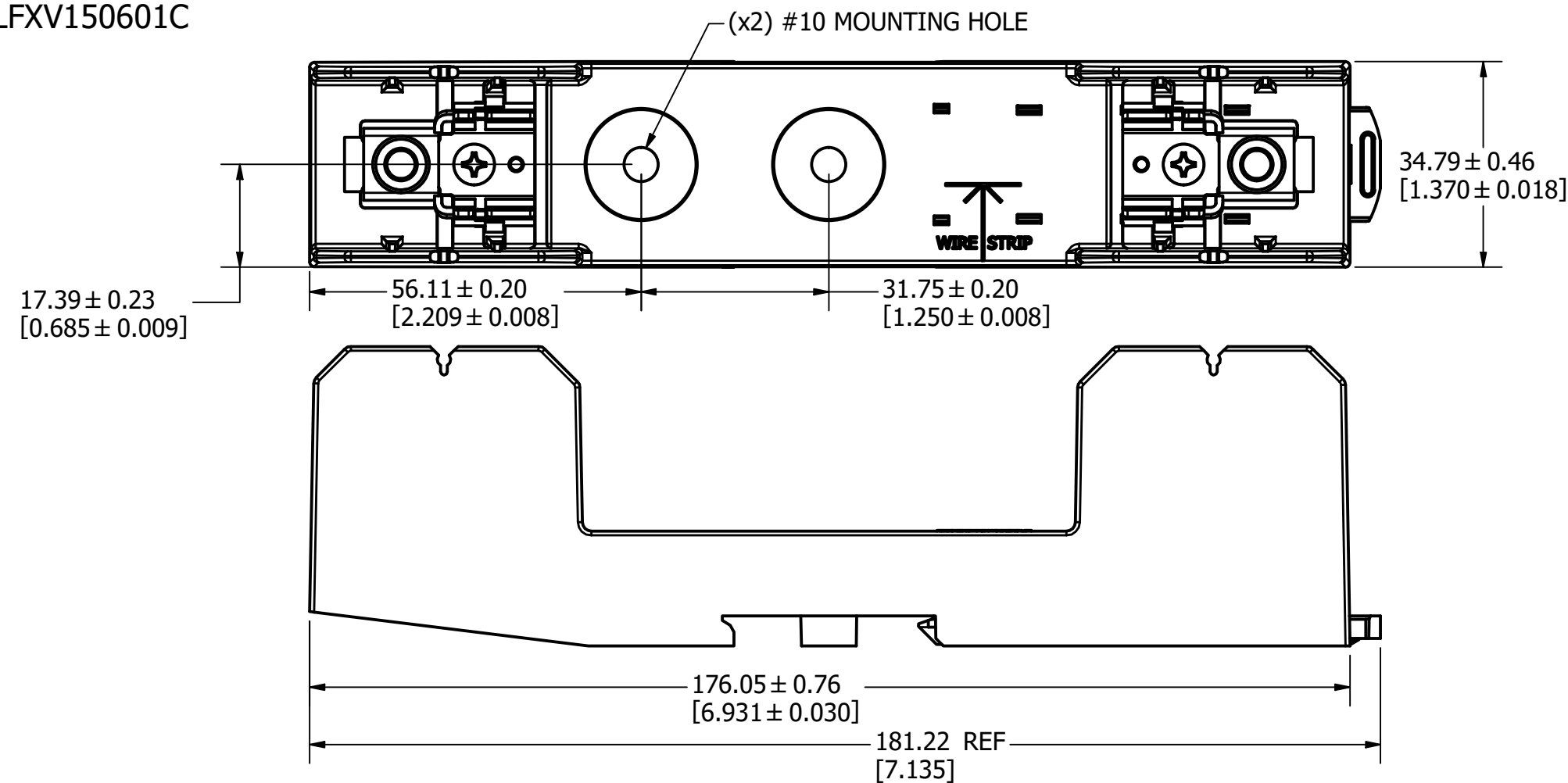
REVISION		
REV	DATE	DESCRIPTION
A	9/24/21	524234GCP - RELEASE MRY
B	11/9/21	524457ECP/D - UPDATE LFXV150601C DIMENSIONS MRY
C	5/23/22	525242ECP/D - ADD TOLERANCES MRY



FUSE BLOCK COVER: LFXV15060FBC



FUSE BLOCK: LFXV150601C



<S>	CRITICAL CHARACTERISTIC FOR PART SAFETY/COMPLIANCE
●	DENOTES CRITICAL CHARACTERISTICS.
CPK	DENOTES CPK DIMENSIONS, -MINIMUM CPK VALUE
(ST)	DENOTES A CHARACTERISTIC THAT PROVIDES AN INDICATION OF PROCESS PERFORMANCE. PROCEDURE FOR MEASUREMENT AND TRACKING TO BE DEFINED IN LITTELFUSE INSPECTION INSTRUCTIONS.
CP	DENOTES CP DIMENSIONS, -MINIMUM CP VALUE MUST BE WITHIN THE DIMENSIONAL LIMITATIONS SHOWN ON DRAWING AND INITIALLY LOCATED TO ALLOW FOR MAXIMUM TOOL LIFE.

MATL SPEC	FINISH		
DRW myork	DATE 9/24/2021	SCALE NTS	FINISH GOOD WT GRAMS/PIECE

UNLESS OTHERWISE SPECIFIED, DIMENSIONS ARE IN MILLIMETERS, DIMENSIONS IN BRACKETS [] ARE INCHES DIMENSIONING AND DO NOT INCLUDE PLATING. TOLERANCING TO BE INTERPRETED IN ACCORDANCE WITH ANSI Y14.5M-1994

3RD ANGLE PROJECTION	
----------------------	--

TITLE LFXV15060-BC OUTLINE

Littelfuse CHICAGO, ILLINOIS 60631	REVISION C	DRWG NO. OL-LFXV15060-BC	SHEET 1 OF 1
--	------------	--------------------------	--------------