

# LFNH SERIES FUSE BLOCK



## Description

The LFNH series fuse block is specifically designed for the Littelfuse SPNH 1500V solar fuse. It meets UL electrical requirements, is available in multiple case sizes and has an optional cover to enclose the lugs.

## Features/Benefits

- Narrow width increases space savings
- Range of amperages to match all SPNH fuse options

## Specifications

<b>Voltage Ratings</b>	1500VDC
<b>Ampere Ratings</b>	200, 400, 630 A
<b>Interrupt Rating</b>	30kA
<b>Termination Type</b>	Stud Mount
<b>Base Temp Rating</b>	
<b>Approvals</b>	UL4248-1 UL4248-19 FILE: E345481 Vol. 2
<b>Environmental Material</b>	RoHS Compliant Fuse Clip: Silver Plated Copper Spring: Zinc Plated Steel Mounting Plate: Zinc Plated Steel Insulator: Ceramic
<b>Flammability Rating</b>	UL94 V-0

## Recommended Fuses

SPNH Series

## Web Resources

Sample requests, downloadable CAD drawings, dimensions and other technical information:

**Littelfuse.com/LFNH**

For a comprehensive overview of solar market solutions, visit: **Littelfuse.com/Solar**

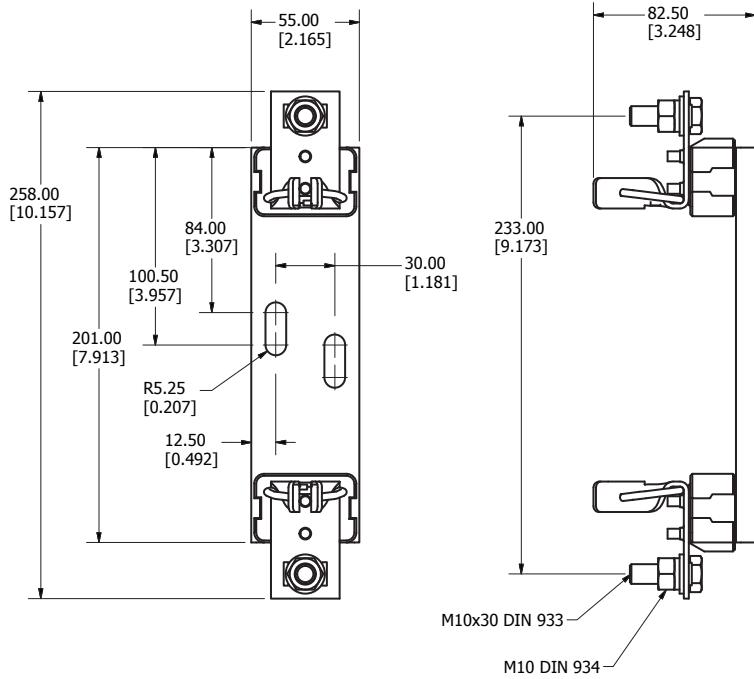
## Ordering Information

AMPERAGE	ORDERING NUMBER	FUSE SIZE	RECOMMENDED TORQUE		TERMINAL COVER ORDERING NUMBER*
			TERMINAL	BASE	
200	LFNH152001CST	NH1XL	283 in-lb (32 N-m)	132 in-lb (15 N-m)	LFNH15200FBC
400	LFNH154001CST	NH2XL	283 in-lb (32 N-m)	132 in-lb (15 N-m)	LFNH15400FBC
630	LFNH156301CST	NH3L	283 in-lb (32 N-m)	132 in-lb (15 N-m)	LFNH15630FBC

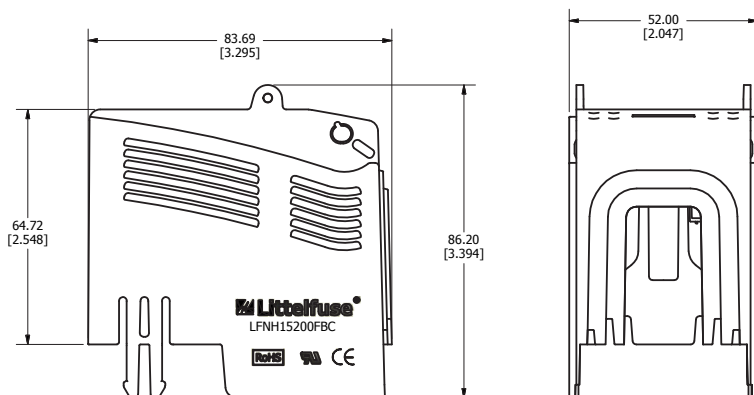
\*Terminal Covers Sold Separately

# LFNH SERIES FUSE BLOCK

## Dimensions Millimeters (in)



**Fuseholder**  
**LFNH152001CST**

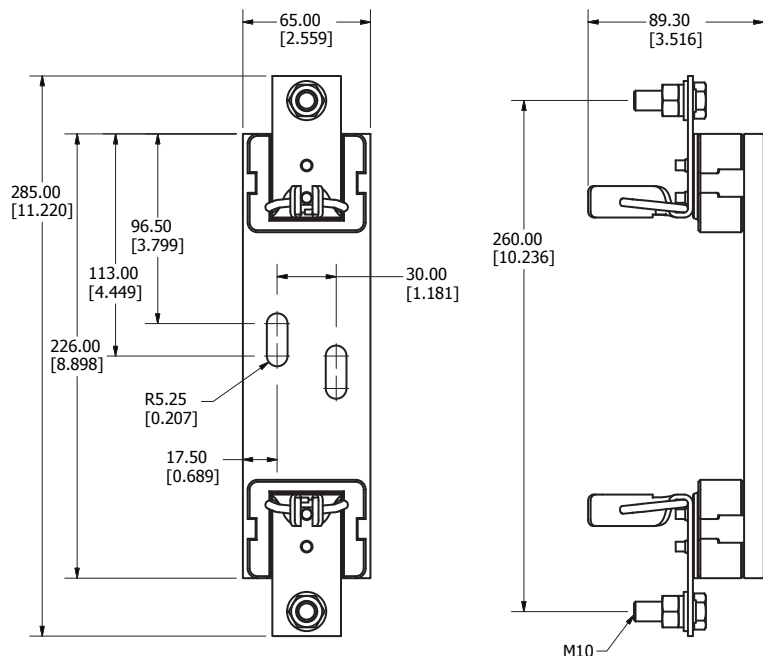


**Fuse Terminal Cover**  
**LFNH15200FBC**

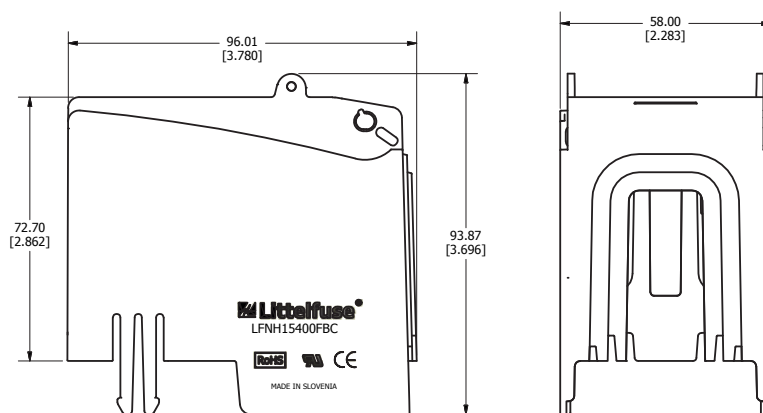
### Specifications

<b>Voltage Rating:</b>	1500V
<b>Ampere Rating:</b>	200A
<b>Flammability Rating:</b>	UL94 V-0
<b>Material:</b>	V0 rated Nylon
<b>Packaging:</b>	Sold in pairs

**Dimensions Millimeters (in)**



**Fuseholder**  
**LFNH154001CST**

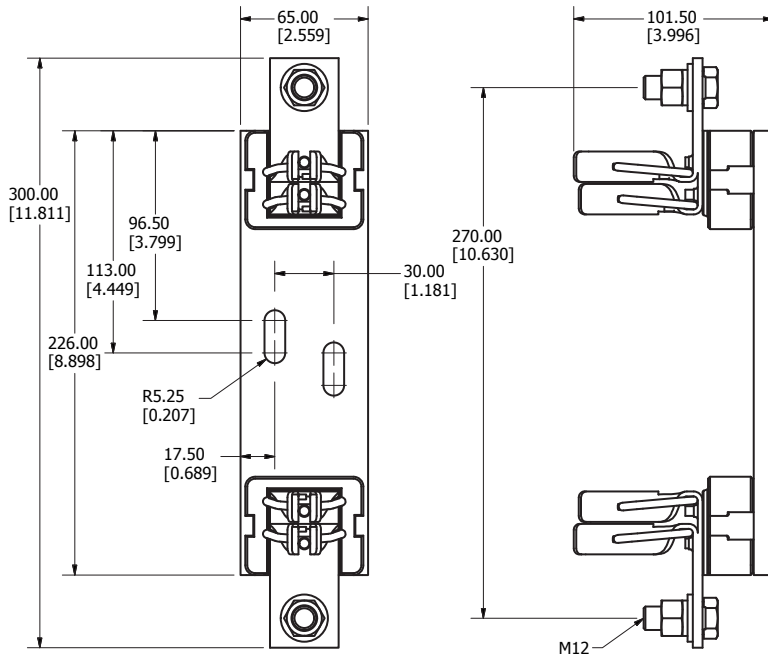


**Fuse Terminal Cover**  
**LFNH15400FBC**

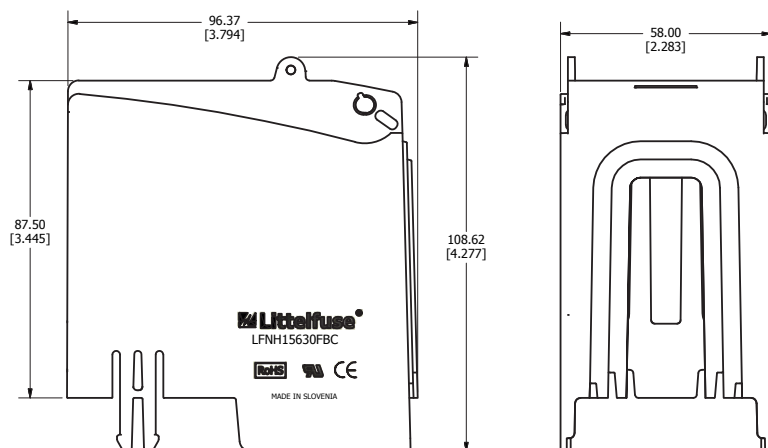
**Specifications**

<b>Voltage Rating:</b>	1500V
<b>Ampere Rating:</b>	400A
<b>Flammability Rating:</b>	UL94 V-0
<b>Material:</b>	V0 rated Nylon
<b>Packaging:</b>	Sold in pairs

**Dimensions Millimeters (in)**



**Fuseholder**  
**LFNH156301CST**



**Fuse Terminal Cover**  
**LFNH15630FBC**

**Specifications**

<b>Voltage Rating:</b>	1500V
<b>Ampere Rating:</b>	630A
<b>Flammability Rating:</b>	UL94 V-0
<b>Material:</b>	V0 rated Nylon
<b>Packaging:</b>	Sold in pairs

**Disclaimer Notice** – Information furnished is believed to be accurate and reliable. However, users should independently evaluate the suitability of and test each product selected for their own applications. Littelfuse products are not designed for, and may not be used in, all applications. Read complete Disclaimer Notice at [www.littelfuse.com/product-disclaimer](http://www.littelfuse.com/product-disclaimer).