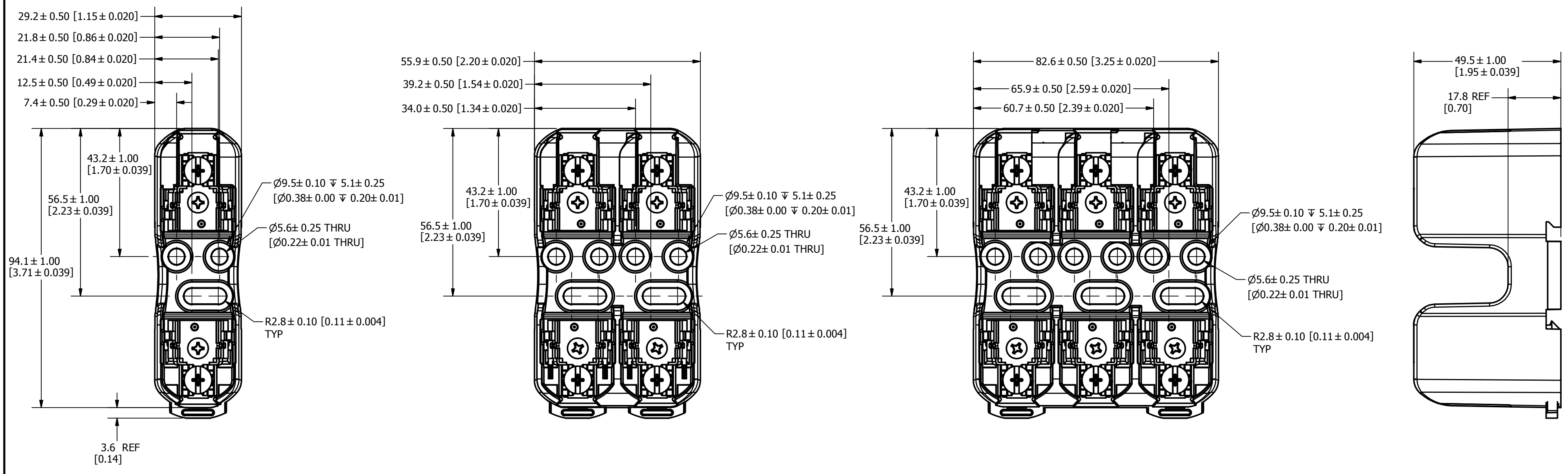


| REVISION | | |
|----------|-----------|--|
| REV | DATE | DESCRIPTION |
| A | 3/21/2011 | 501865ERP - RELEASE MRY |
| B | 6/11/2015 | 514412ECP/D - ADD DIMENSION TOLERANCES MRY |



SPECIFICATIONS:

VOLTAGE RATING: 600V
AMPERE RATING: 30 AMPERES
INTERRUPT RATING: 200kA

TERMINAL TYPE: PRESSURE PLATE

SUGGESTED TORQUE: 2.8 N-m (25 IN-LBS)

WIRE RANGE: 10 -14 AWG Cu ONLY
 SOLID/STRANDED

APPROVALS: UL LISTED (FILE NO. E14721)
 CSA CERTIFIED (FILE NO. LR7316)

| | | | |
|---|--|-------------------|--------------------------------|
| ● | DENOTES CRITICAL CHARACTERISTICS. | | |
| CPK | DENOTES CPK DIMENSIONS, -MINIMUM CPK VALUE | | |
| (ST) | DENOTES A CHARACTERISTIC THAT PROVIDES AN INDICATION OF PROCESS PERFORMANCE. PROCEDURE FOR MEASUREMENT AND TRACKING TO BE DEFINED IN LITTELFUSE INSPECTION INSTRUCTIONS. | | |
| CP | DENOTES CP DIMENSIONS, -MINIMUM CP VALUE MUST BE WITHIN THE DIMENSIONAL LIMITATIONS SHOWN ON DRAWING AND INITIALLY LOCATED TO ALLOW FOR MAXIMUM TOOL LIFE. | | |
| MATL SPEC | FINISH | | |
| DRW MYORK | DATE 3/21/2011 | SCALE NTS | FINISH GOOD WT GRAMS/PIECE |
| UNLESS OTHERWISE SPECIFIED, DIMENSIONS ARE IN MILLIMETERS, DIMENSIONS IN BRACKETS [] ARE INCHES DIMENSIONING AND DO NOT INCLUDE PLATING. TOLERANCING TO BE INTERPRETED IN ACCORDANCE WITH ANSI Y14.5M-1994 | | | |
| 3RD ANGLE PROJECTION | | | |
| TITLE LFJ60030-PID SERIES OUTLINE | | | |
| Littelfuse DES PLAINES, ILLINOIS 60016 | | REVISION B | DRWG NO. OL-LFJ60030PID |

C

SHEET 1 OF 1
SERIES