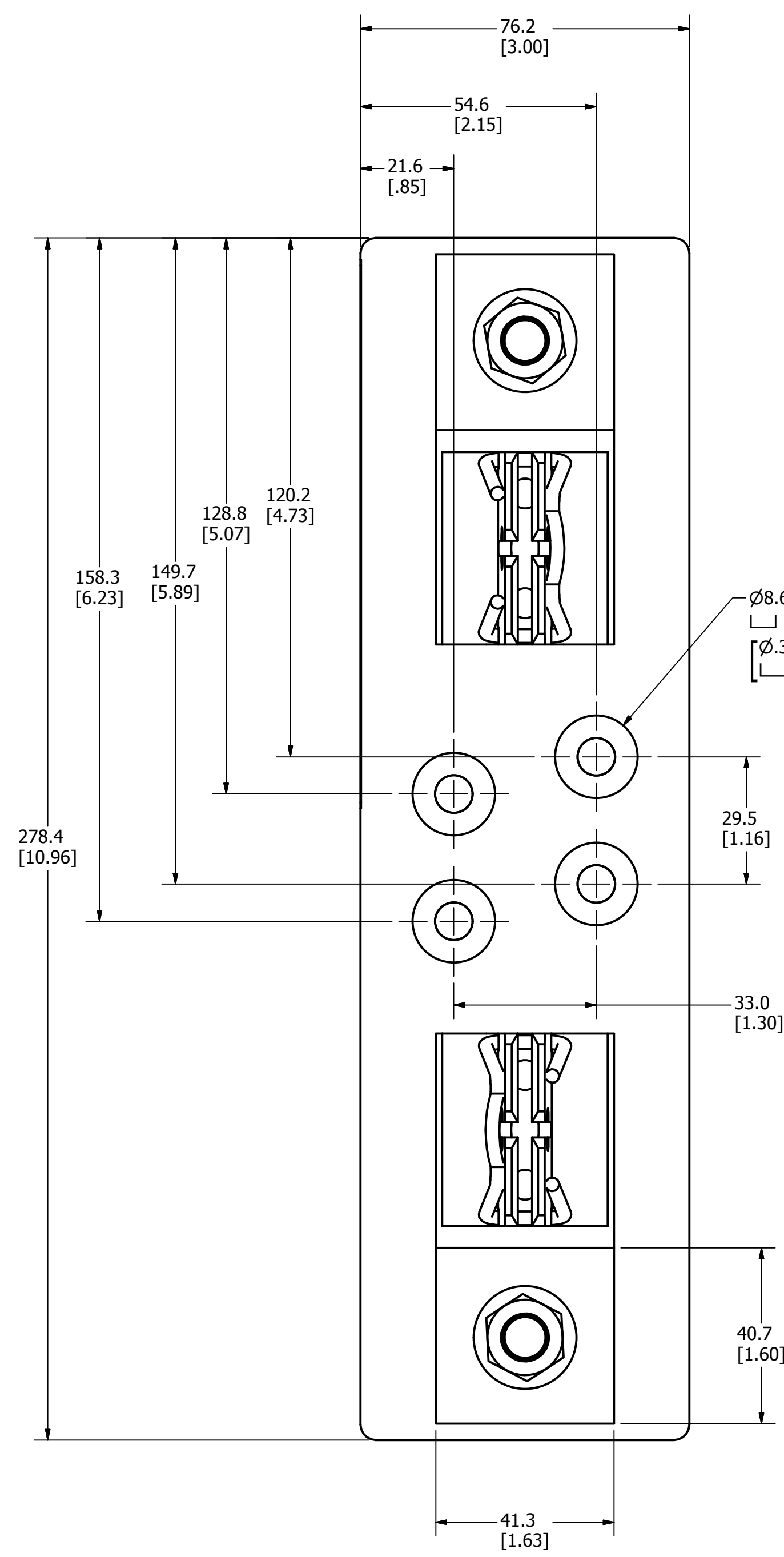
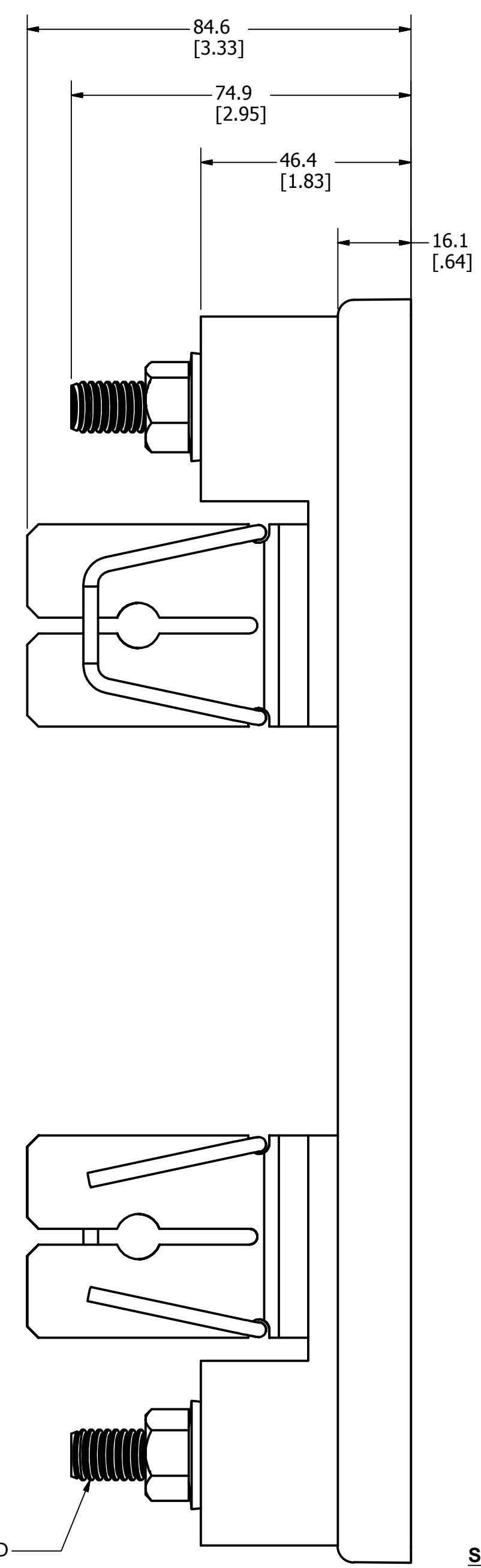


REVISION		
REV	DATE	DESCRIPTION
A	9/18/2012	506133ERP - RELEASED PER SALES RELEASE EM2390 -TV
B	12/20/2012	507000ECP - ADD DIMS AND THREAD CALLOUT -TV



$\varnothing 8.6$ THRU
 ± 10.2
 $\varnothing .34$ THRU
 $\pm .40$

7/16-14 THREAD



SPECIFICATIONS:

VOLTAGE RATING: 1000VDC

AMPERE RATING: 400 AMPERES

INTERRUPT RATING: 10kA

TERMINAL TYPE: STUD

TERMINAL TORQUE: 22.6 N-m (200 in-lb)

APPROVALS: UL LISTED (UL 4248-18)

●	DENOTES CRITICAL CHARACTERISTICS.		
CPK	DENOTES CPK DIMENSIONS, -MINIMUM CPK VALUE		
(ST)	DENOTES A CHARACTERISTIC THAT PROVIDES AN INDICATION OF PROCESS PERFORMANCE. PROCEDURE FOR MEASUREMENT AND TRACKING TO BE DEFINED IN LITTELFUSE INSPECTION INSTRUCTIONS.		
CP	DENOTES CP DIMENSIONS, -MINIMUM CP VALUE MUST BE WITHIN THE DIMENSIONAL LIMITATIONS SHOWN ON DRAWING AND INITIALLY LOCATED TO ALLOW FOR MAXIMUM TOOL LIFE.		
MATL SPEC	FINISH		
DRW TVESELSK	DATE 9/18/2012	SCALE NTS	FINISH GOOD WT GRAMS/PIECE
UNLESS OTHERWISE SPECIFIED, DIMENSIONS ARE IN MILLIMETERS, DIMENSIONS IN BRACKETS [] ARE INCHES DIMENSIONING AND DO NOT INCLUDE PLATING. TOLERANCING TO BE INTERPRETED IN ACCORDANCE WITH ANSI Y14.5M-1994			
3RD ANGLE PROJECTION			
TITLE	OUTLINE FOR LFJ104001CST		
CHICAGO, ILLINOIS 60631	REVISION B	DRWG NO. OL-LFJ104001CST	SHEET 1 OF 1