

PART NO.	FIGURE	A	B	C	D	E	F	G	H	J	K	L	M	MAX. TORQUE (in-lb/N-m)	MAX. CURRENT RATING (AMPS)	WEIGHT	COLOR
JBPT3P01ZXB	1	52.4 (2.06)	23.8 (0.94)	17.5 (0.69)	22.2 (0.87)	17.5 (0.69)	7.9 (0.31)	23.8 (0.94)	1.6 (0.06)	1.6 (0.06)	33.3 (1.31)	5.6(0.22) dia. hole w/ 10.4(0.41) dia. C'bore x 3.6(0.14) deep	3/8-16	150 (17)	250	68.8g	BLACK
JBPT3P02ZXB	1	52.4 (2.06)	22.2 (0.87)	15.9 (0.63)	15.9 (0.63)	28.6 (1.13)	7.9 (0.31)	23.8 (0.94)	1.6±0.15 (0.06)	1.6±0.15 (0.06)	33.3 (1.31)	5.6(0.22) dia. hole w/ 10.4(0.41) dia. C'bore x 3.6(0.14) deep	3/8-16	150 (17)	250	80.5g	BLACK
JBPT3N03ZXB	2	54.0 (2.06)	24.9 (0.98)	15.9 (0.63)	22.2 (0.87)	17.5 (0.69)	7.9 (0.31)	None	1.6 (0.06)	None	34.9 (1.37)	5.6(0.22) dia. hole w/ 9.4(0.37) dia. C'bore x 3.6(0.14) deep	3/8-16	150 (17)	250	43.7g	BLACK
JBPT3N03ZXR	2	54.0 (2.06)	24.9 (0.98)	15.9 (0.63)	22.2 (0.87)	17.5 (0.69)	7.9 (0.31)	None	1.6 (0.06)	None	34.9 (1.37)	5.6(0.22) dia. hole w/ 9.4(0.37) dia. C'bore x 3.6(0.14) deep	3/8-16	150 (17)	250	43.7g	RED
JBPT3N04ZXB	2	54.0 (2.06)	24.9 (0.98)	15.9 (0.63)	22.2 (0.87)	17.5 (0.69)	7.9 (0.31)	None	1.6 (0.06)	None	34.9 (1.37)	5.6(0.22) dia. hole w/ 9.4(0.37) dia. C'bore x 3.6(0.14) deep	M8*1.25	150 (17)	250	43.7g	BLACK
JBPT3N04ZXR	2	54.0 (2.06)	24.9 (0.98)	15.9 (0.63)	22.2 (0.87)	17.5 (0.69)	7.9 (0.31)	None	1.6 (0.06)	None	34.9 (1.37)	5.6(0.22) dia. hole w/ 9.4(0.37) dia. C'bore x 3.6(0.14) deep	M8*1.25	150 (17)	250	43.7g	RED

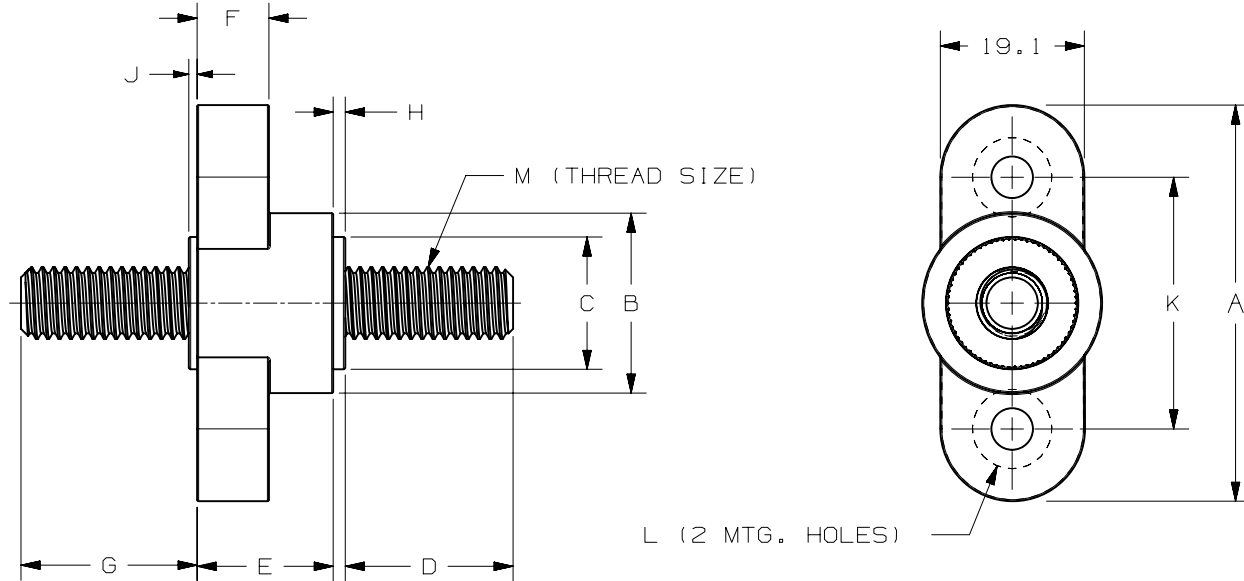
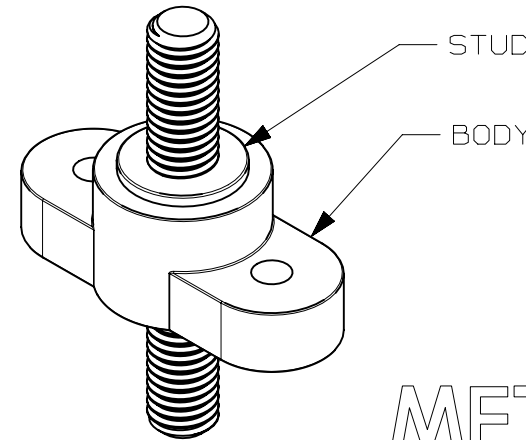


FIGURE 1



METRIC  
ASSEMBLY

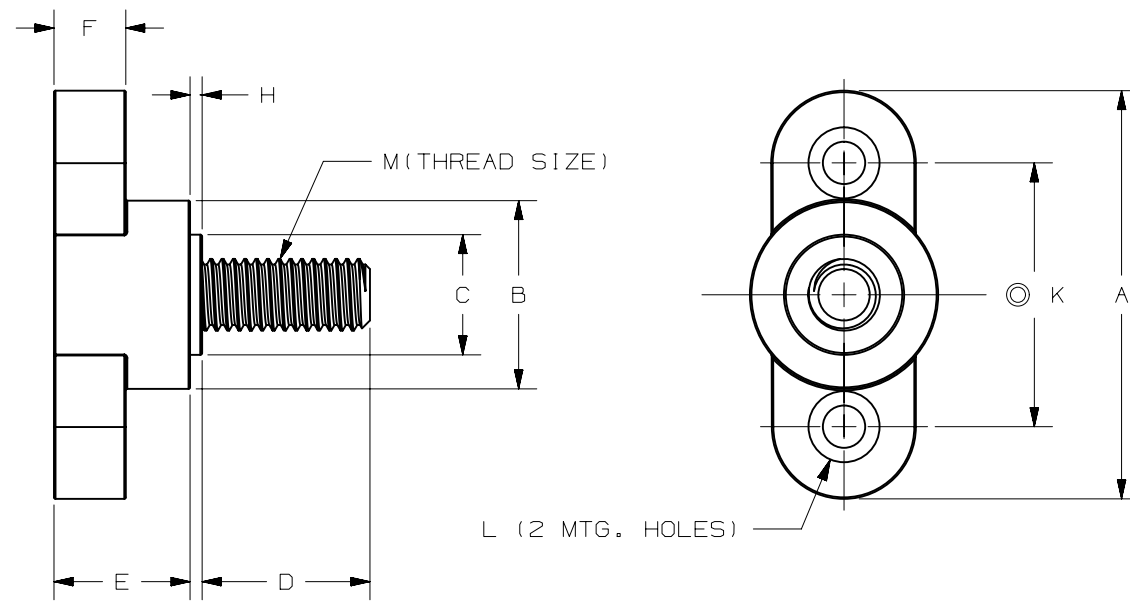


FIGURE 2

- NOTES:
- ALL DIMENSIONS ARE FOR REFERENCE ONLY.
  - MATERIAL: BODY-> THERMOPLASTIC, PA66  
STUD-> STEEL Zn Plated
  - MAXIMUM MOUNTING TORQUE 45 IN.LBS (5 N-m).
  - TEMPERATURE RATING: -40°C TO 125°C

UNLESS OTHERWISE SPECIFIED, DIMENSIONS ARE IN MILLIMETERS.  
DIMENSIONS IN BRACKETS [ ] ARE INCHES

UNLESS OTHERWISE SPECIFIED, DIMENSIONS DO NOT INCLUDE PLATING.

⊙ DENOTES CRITICAL CHARACTERISTICS.

CPK DENOTES CPK DIMENSIONS, -MINIMUM CPK VALUE

ST DENOTES A CHARACTERISTIC THAT PROVIDES AN INDICATION OF PROCESS PERFORMANCE. PROCEDURE FOR MEASUREMENT AND TRACKING TO BE DEFINED IN LITTELFUSE INSPECTION INSTRUCTIONS

CP DENOTES CP DIMENSIONS, -MINIMUM CP VALUE MUST BE WITHIN THE DIMENSIONAL LIMITATIONS SHOWN ON DRAWING AND INITIALLY LOCATED TO ALLOW FOR MAXIMUM TOOL LIFE

COPIES TO		MATERIAL SPEC		FINISH		SCALE		DATE		DATE		DATE		GRAMS/PIECE		TOLERANCES UNLESS OTHERWISE SPECIFIED (REF. ISO 2768-FH)		TITLE		REVISION		OUTLINE			
LTR	DATE	DATE	DATE	DATE	DATE	DATE	DATE	DATE	DATE	DATE	DATE	DATE	DATE	DATE	DATE	DATE	DATE	DATE	DATE	DATE	DATE	DATE	DATE		
1	9	18	19	20	21	23	33	43	53	SEE NOTES		SEE NOTES		1:1		08/09/10		SUPER DR		FINISH GOOD WT		JUNCTION BLOCKS 3/8"-16 (PASS-THRU & NON-PASS-THRU)		OL-JBPT3	
2	10	19	20	21	23	33	43	53	SEE NOTES		SEE NOTES		1:1		08/09/10		SUPER DR		FINISH GOOD WT		JUNCTION BLOCKS 3/8"-16 (PASS-THRU & NON-PASS-THRU)		OL-JBPT3		
3	12	20	21	23	33	43	53	SEE NOTES		SEE NOTES		1:1		08/09/10		SUPER DR		FINISH GOOD WT		JUNCTION BLOCKS 3/8"-16 (PASS-THRU & NON-PASS-THRU)		OL-JBPT3			
4	13	21	23	33	43	53	SEE NOTES		SEE NOTES		1:1		08/09/10		SUPER DR		FINISH GOOD WT		JUNCTION BLOCKS 3/8"-16 (PASS-THRU & NON-PASS-THRU)		OL-JBPT3				
5	14	23	33	43	53	SEE NOTES		SEE NOTES		1:1		08/09/10		SUPER DR		FINISH GOOD WT		JUNCTION BLOCKS 3/8"-16 (PASS-THRU & NON-PASS-THRU)		OL-JBPT3					
6	15	33	43	53	SEE NOTES		SEE NOTES		1:1		08/09/10		SUPER DR		FINISH GOOD WT		JUNCTION BLOCKS 3/8"-16 (PASS-THRU & NON-PASS-THRU)		OL-JBPT3						
7	16	43	53	SEE NOTES		SEE NOTES		1:1		08/09/10		SUPER DR		FINISH GOOD WT		JUNCTION BLOCKS 3/8"-16 (PASS-THRU & NON-PASS-THRU)		OL-JBPT3							
8	17	53	SEE NOTES		SEE NOTES		1:1		08/09/10		SUPER DR		FINISH GOOD WT		JUNCTION BLOCKS 3/8"-16 (PASS-THRU & NON-PASS-THRU)		OL-JBPT3								
DIMENSION		0.5 - 3	UP TO OVER	UP TO OVER	UP TO OVER	UP TO OVER	UP TO OVER	UP TO OVER	UP TO OVER	UP TO OVER	UP TO OVER	UP TO OVER	UP TO OVER	UP TO OVER	UP TO OVER	UP TO OVER	UP TO OVER	UP TO OVER	UP TO OVER	UP TO OVER	UP TO OVER	UP TO OVER	UP TO OVER		
TOLERANCE		+0.05	+0.05	+0.05	+0.05	+0.05	+0.05	+0.05	+0.05	+0.05	+0.05	+0.05	+0.05	+0.05	+0.05	+0.05	+0.05	+0.05	+0.05	+0.05	+0.05	+0.05			
3RD ANGLE PROJECTION																									
LITTELFUSE																									
LIPA CITY, BATANGAS, PHILIPPINES																									