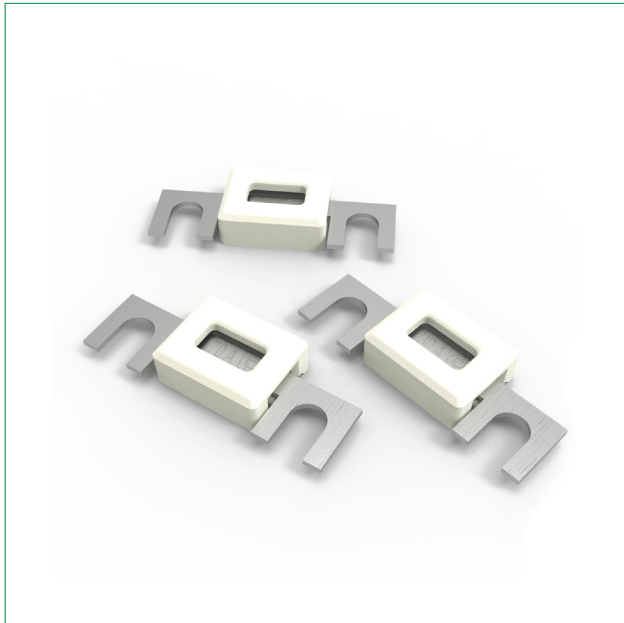


FUSE STRIP with housing Series

Bolt-down Fuses – Rated 36 V



Description

These special purpose fuse strips with housings protect wires rated to carry current up to 36 V in diesel vehicles. Do not install the high current automotive fuse strips in EVs or gasoline-fueled vehicles.

Features & Benefits

- Fast-acting
- Available with ratings of 30 A to 150 A
- Interrupting ratings of up to 350 A at 36 VDC
- Operate at up to 125 °C
- Windows in housing show if fuse elements remain intact
- 90° lugs ensure secure mounting

Applications

- Diesel vehicles

[See Disclaimer Notice](#)

Additional Information



Resources



Samples

Specifications

Voltage Rating:	36 V DC
Interrupting Rating:	Up to 375 A
Recommended Environmental Temperature:	-40 °C to +125 °C
Terminals Material:	Zinc alloy
Insulating Body	Out of ceramic
Comply With:	DIN 72581/2

Ordering Information

Part Number	Package Size
156.5611.xxx1	50

FUSE STRIP with housing Series

Bolt-down Fuses – Rated 36 V

Ratings

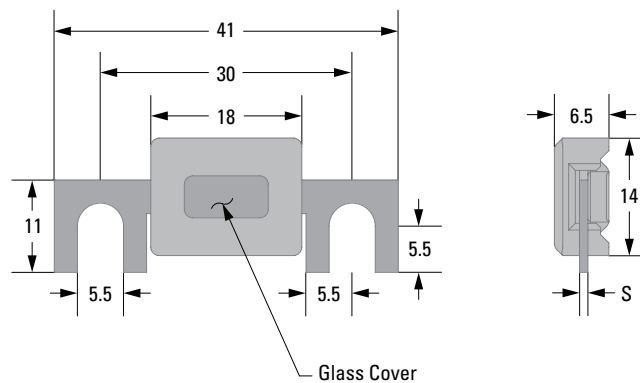
Part Number	Current Rating (A)*	Typ. Voltage Drop (mV)	Material Thickness "S" (mm)
156.5611.5301	30	70	0.25
156.5611.5401	40	70	0.20
156.5611.5501	50	70	0.25
156.5611.5601	60	70	0.40
156.5611.5701	70	70	0.45
156.5611.5801	80	70	0.50
156.5611.6101	100	70	0.70
156.5611.6111	120	70	0.70
156.5611.6121	125	70	0.70
156.5611.6151	150	70	1.00

Note 1: Corresponding holder see Section "Fuse Holders."

Note 2: *Metal parts in compliance with DIN 72581/2. Fuses with housings not mentioned in the standards.

Dimensions

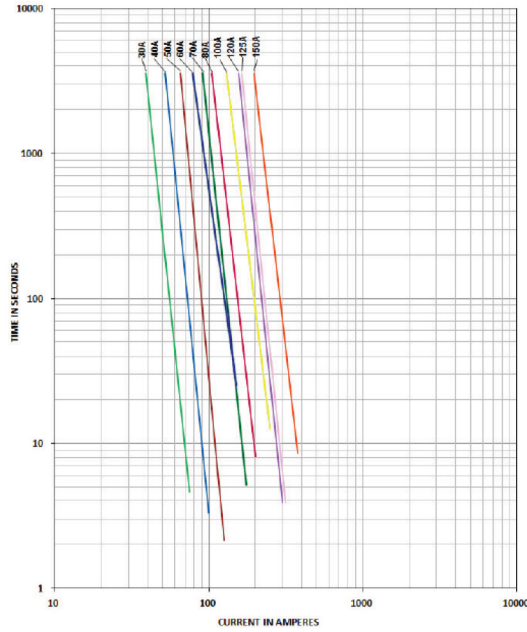
Dimensions in mm. Please refer to the outline drawing for dimensions and tolerances.



FUSE STRIP with housing Series

Bolt-down Fuses – Rated 36 V

Time-Current Characteristic



% of Rating	Opening Time Min. / Max. (s)
130	3600 / -
250	- / 60

- 30 A
- 40 A
- 50 A
- 60 A
- 70 A
- 80 A
- 100 A
- 120 A
- 125A
- 150 A

Note: Current recommendation may be impacted by the final condition of the application (terminals characteristics, wire size etc.). Please contact Littelfuse® for more information.

Note: FI = 1.00 (max. operating current : 1.0 x I_{rat} at 23°C)

Disclaimer Notice - Information furnished is believed to be accurate and reliable. However, users should independently evaluate the suitability of and test each product selected for their own applications. Littelfuse products are not designed for, and may not be used in, all applications. Read complete Disclaimer Notice at <https://www.littelfuse.com/legal/disclaimers/product-disclaimer.aspx>