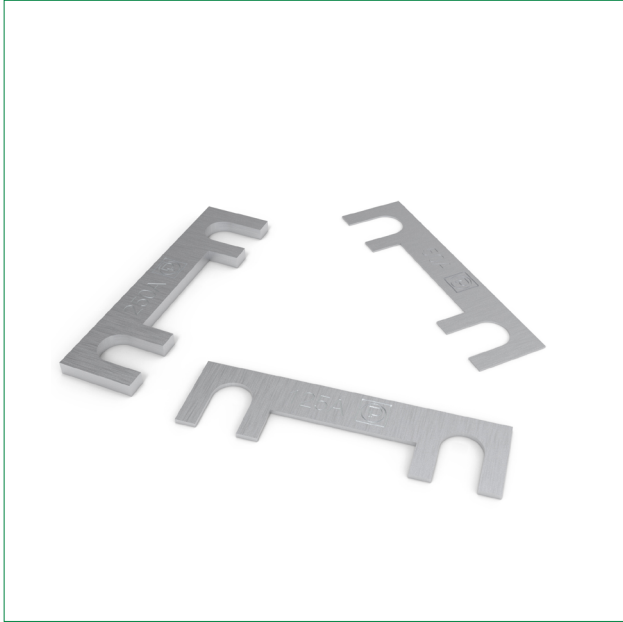


# FUSE STRIP Series

## Bolt-down Fuses – Rated 36 V

RoHS



### Description

Use these special purpose fuse strips to protect wires rated to carry current up to 36 V in diesel vehicles. Buy holders for the fuse strips separately. Do not install these use strips in EVs or gasoline-fueled vehicles.

### Features & Benefits

- 90° lugs ensure secure mounting

### Applications

- Diesel vehicles (NOT intended for automotive or truck applications)

[See Disclaimer Notice](#)

### Additional Information



Resources



Samples

### Specifications

<b>Voltage Rating:</b>	36 V DC
<b>Interrupting Rating:</b>	Up to 625 A
<b>Recommended Environmental Temperature:</b>	-40 °C to +125 °C
<b>Terminals Material:</b>	Zinc alloy
<b>Housing Material:</b>	-
<b>Comply With:</b>	DIN 72581/2

### Ordering Information

Part Number	Package Size
156.5610.xxx1	100
156.5610.xxx2	2000

# FUSE STRIP Series

## Bolt-down Fuses – Rated 36 V

### Ratings

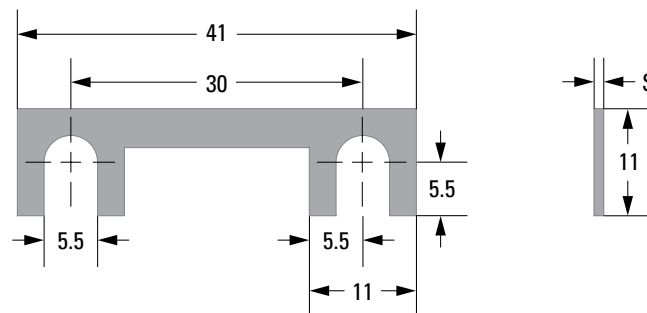
Part Number	Current Rating (A)	Typ. Voltage Drop (mV)	Material Thickness "S" (mm)
156.5610.525_	25*	70	0.20
156.5610.530_	30	70	0.25
156.5610.540_	40*	70	0.20
156.5610.550_	50	70	0.25
156.5610.560_	60*	70	0.40
156.5610.570_	70*	70	0.45
156.5610.580_	80	70	0.50
156.5610.610_	100	70	0.70
156.5610.611_	120*	70	0.70
156.5610.612_	125*	70	0.70
156.5610.615_	150*	70	1.00
156.5610.625_	250*	70	2.00

**Note 1:** \*Not mentioned in the standards

**Note 2:** Corresponding holder see Section "Fuse Holders."

### Dimensions

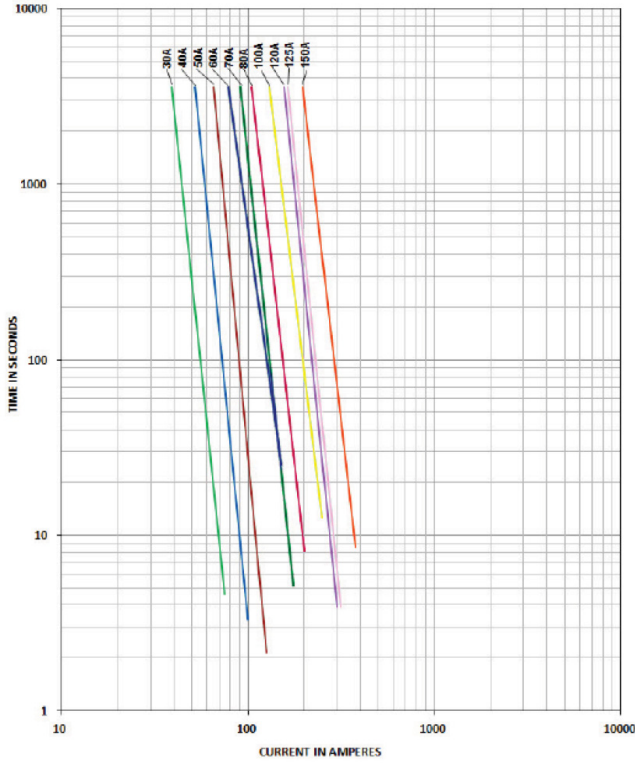
Dimensions in mm. Please refer to the outline drawing for dimensions and tolerances.



# FUSE STRIP Series

## Bolt-down Fuses – Rated 36 V

### Time-Current Characteristic



% of Rating	Opening Time Min. / Max. (s)
130	360 000 / -
250	- / 60

- 30 A
- 40 A
- 50 A
- 60 A
- 70 A
- 80 A
- 100 A
- 120 A
- 125A
- 150 A

**Note:** Current recommendation may be impacted by the final condition of the application (terminals characteristics, wire size etc.). Please contact Littelfuse® for more information.

**Disclaimer Notice** - Information furnished is believed to be accurate and reliable. However, users should independently evaluate the suitability of and test each product selected for their own applications. Littelfuse products are not designed for, and may not be used in, all applications. Read complete Disclaimer Notice at <https://www.littelfuse.com/legal/disclaimers/product-disclaimer.aspx>