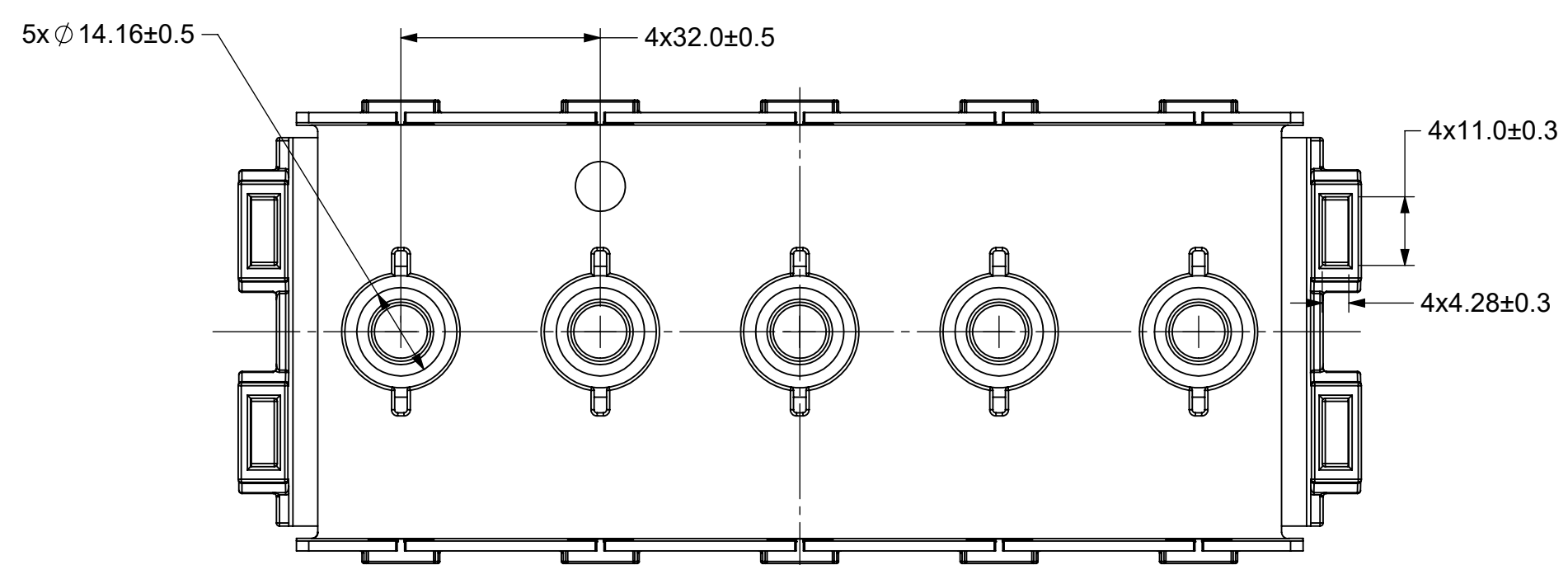
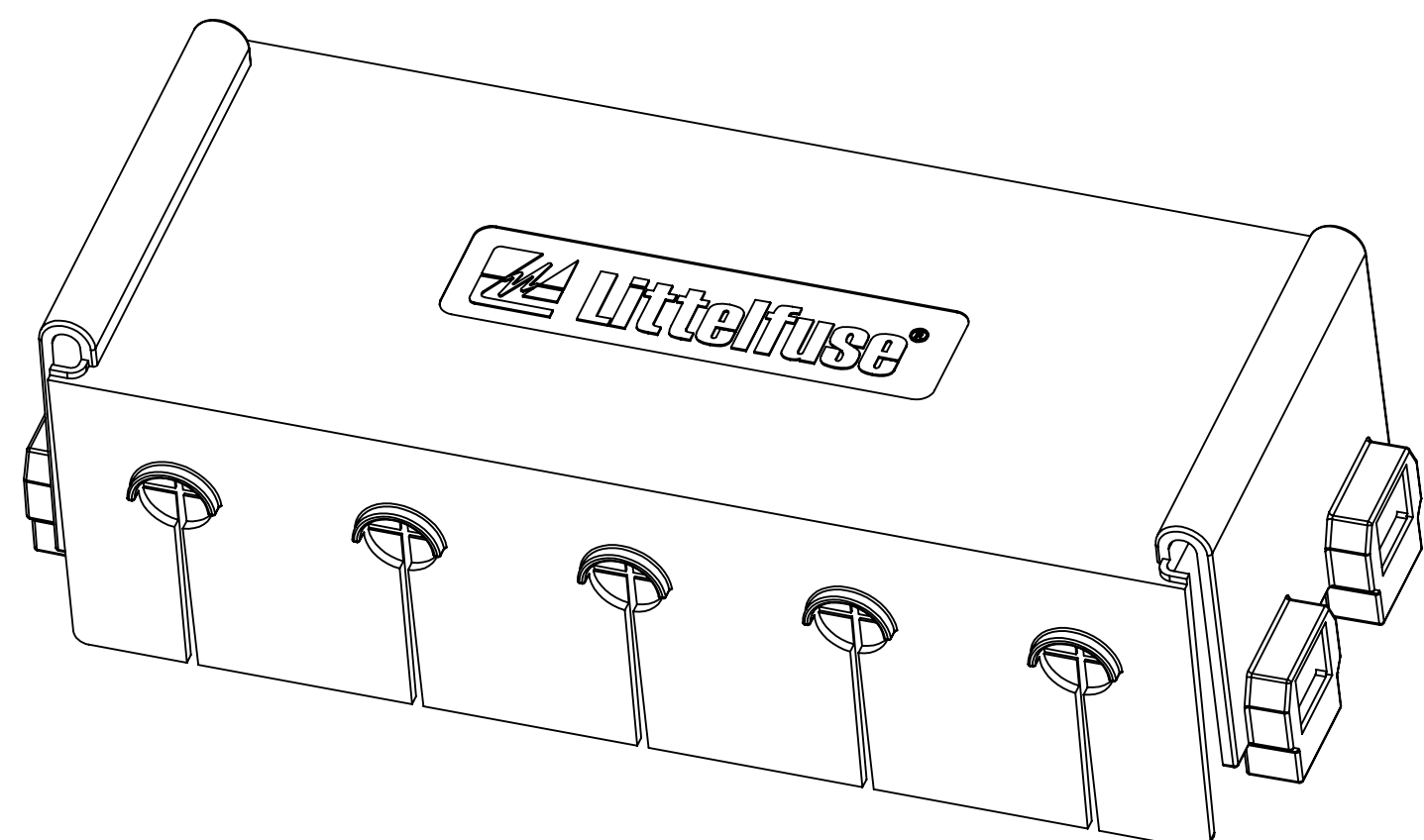
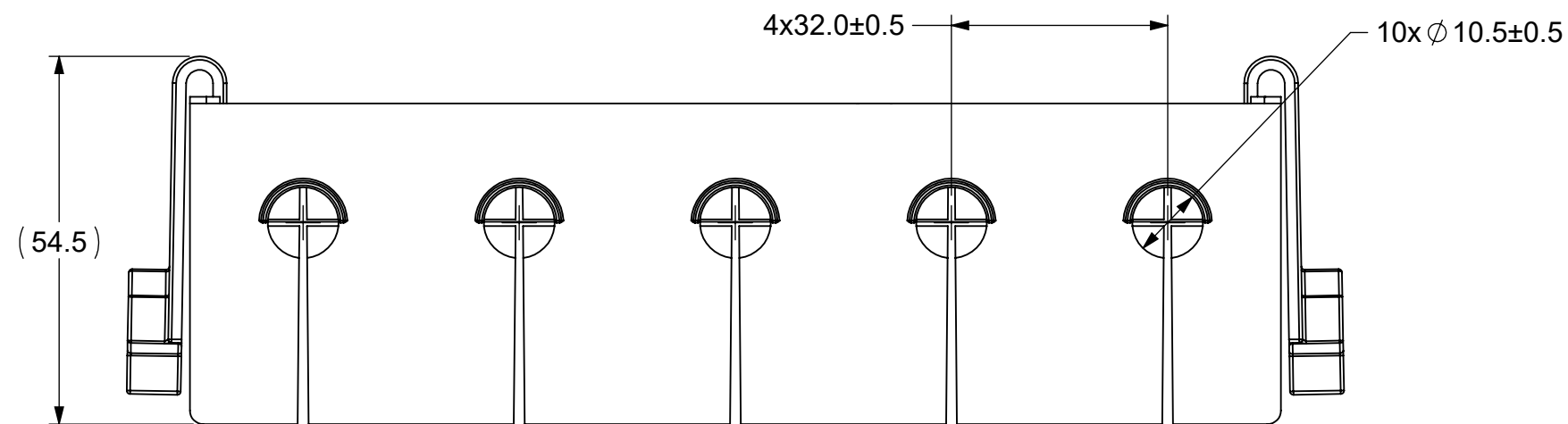
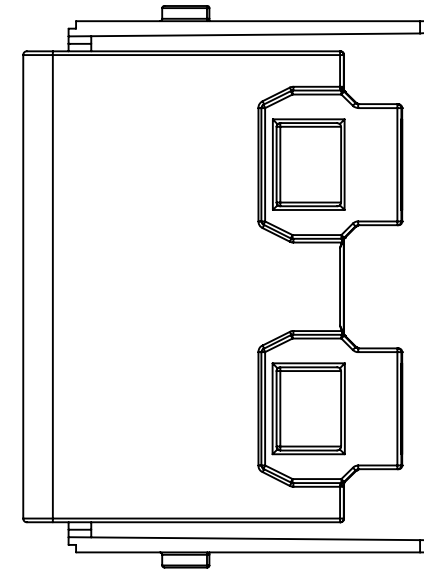
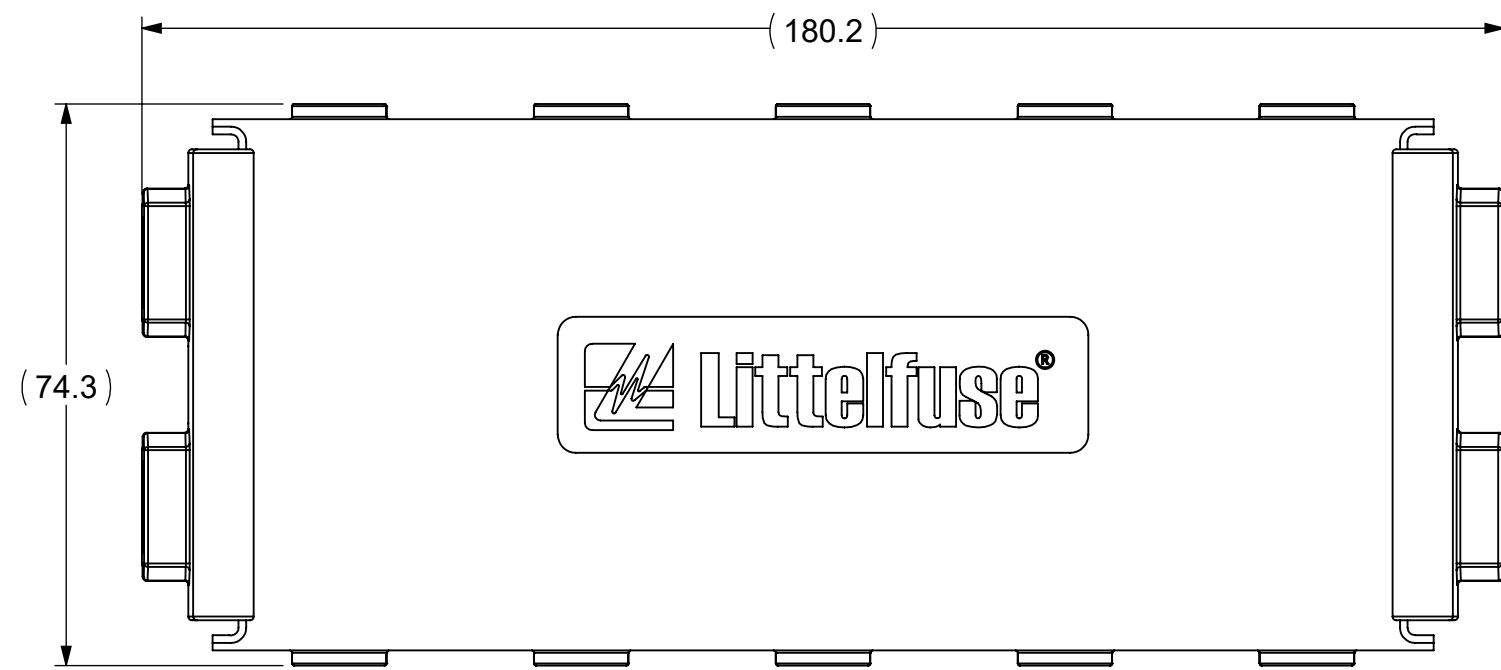


REVISIONS				
ZONE	REV.	DESCRIPTION	DATE	APPROVED
	A	PCO5300241:INITIAL RELEASE	15/APR/2023	Du.C



- NOTES:
- ASSOCIATED 3D CAD FILE DEFINES ALL NON-DIMENSIONED FEATURES.
 - MATERIAL: TPV BLACK
DUROMETER: 70-80 SHORE
FLAMMABILITY: UL94-V0
 - LF P/N: FHZ515

LIMIT DIMENSIONS OF RUBBER MOLDED PARTS FOR NOMINAL SIZE RANGES PER ISO IN LITTELFUSE												
CVP-NPD20-0002, DIMENSIONS mm												
0 to 4	>4 to 6	>6 to 10	>10 to 16	>16 to 25	>25 to 40	>40 to 63	>63 to 100	>100 to 160	>160 to 250	>250 to 315	>315 to 400	ANGLE
±0.10	±0.15	±0.20	±0.20	±0.25	±0.35	±0.40	±0.50	±0.70	±0.5%	±0.5%	±0.5%	NONE

DIMENSIONS ARE SHOWN IN MILLIMETERS. DIMENSIONS AND TOLERANCES ARE DEFINED ACCORDING TO ANSI/ASME Y14.5-1994.

●	FIT/ FUNCTION CRITICAL CHARACTERISTICS
<S>	SAFETY/ COMPLIANCE CRITICAL CHARACTERISTICS SYMBOL
CPK	DENOTES CPK DIMENSIONS MINIMUM CPK VALUE
ST	DENOTES A CHARACTERISTIC THAT PROVIDES AN INDICATION OF PROCESS PERFORMANCE. PROCEDURE FOR MEASUREMENT AND TRACKING TO BE DEFINED IN LITTELFUSE INSPECTION INSTRUCTIONS
CP	DENOTES CP DIMENSIONS. MINIMUM CP VALUE MUST BE WITHIN THE DIMENSIONAL LIMITATIONS SHOWN ON DRAWING AND INITIALLY LOCATED TO ALLOW FOR MAXIMUM TOOL LIFE

NAME	DATE	 Expertise Applied Answers Delivered
DRAWN Rex.L	15/FEB/2022	
CHECKED Du.C	15/FEB/2022	
FORM NO: CVP-PE40-0005 REV B		TITLE
THIRD ANGLE PROJECTION		5P ZCASE COVER
SIZE C	DWG. NO. OUTLINE	REV. A
DO NOT SCALE DRAWING	SCALE 1:1	SHEET 1 OF 1