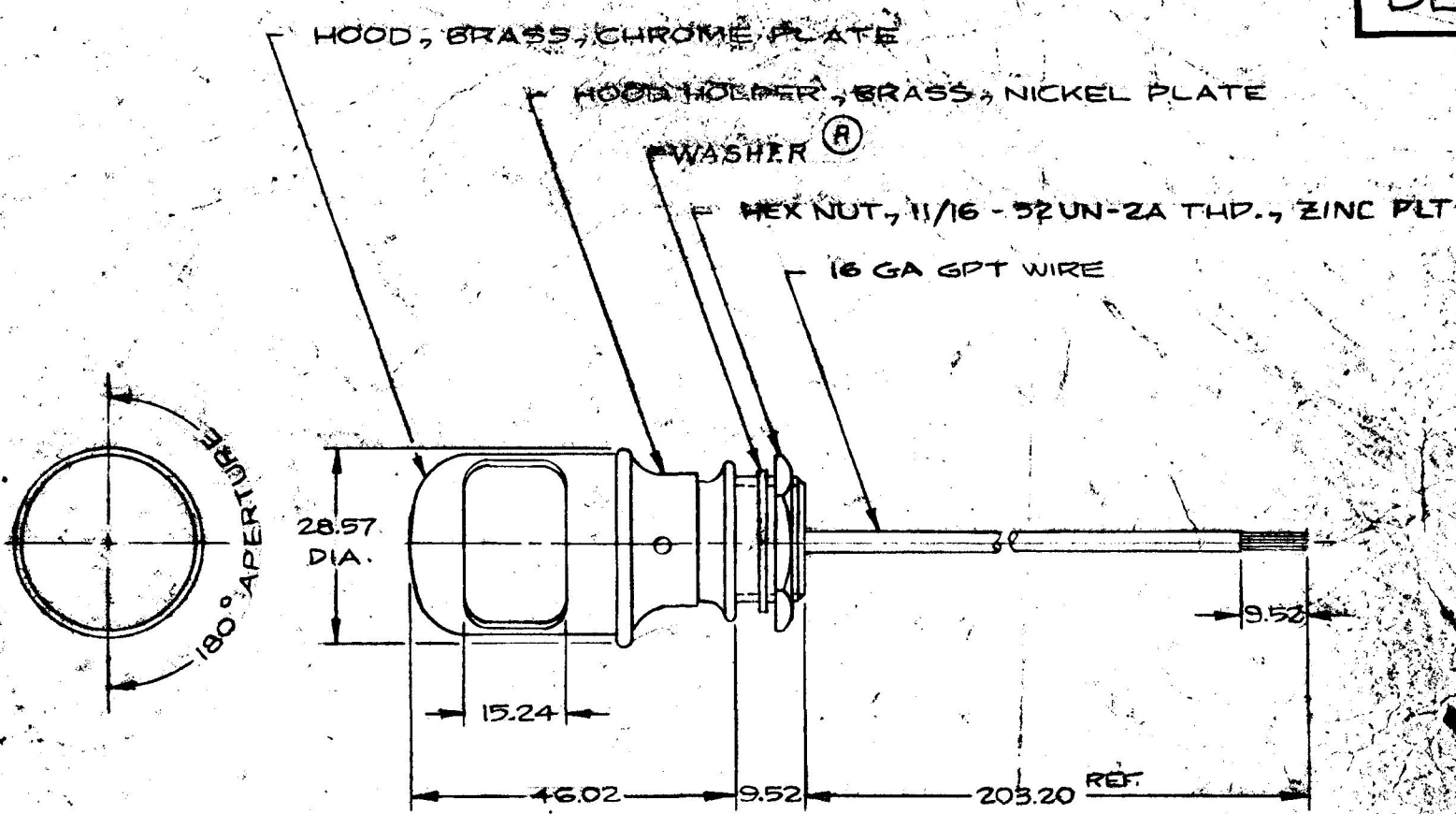


DL-13

MM.	IN.
0.25	.010
0.52	.375
1.24	.600
18.57	1.125
46.02	1.812
203.20	8.000



DL13-24V	623
DL13-12V	67
DL13-6V	63
DL13	NONE
PART NO.	BULB

(A)

NOTE:
ALL STEEL PARTS EITHER ZINC PLT.,
DICHROMATE DIP, OR CAD PLT.

METRIC

DO NOT SCALE

LET.	WAS	DATE	BY	LET	WAS	DATE	BY	MATERIAL	DRAWN	CHECKED	APPRV'D.	SCALE	DATE DRAWN			
								#	SN	5-10-79			6-10-49			
				R	CHANGE WASHER EC 21939	5-11-84	VAK	FINISH #	<p>Cole Hersee Co. 20 OLD COLONY AVENUE SOUTH BOSTON MA. U.S.A. 02127</p>				DATE BLUEPRINT			
				Q	ADDED CHART	1-19-81	(B)									
				P	REV/20975	10-9-80	(C)	TOLERANCES DECIMAL ±.010 METRIC ±0.25								
				N	REDRAWN	5-8-79	VK		DASH LAMP				DL-13			

CH-188(4-78)